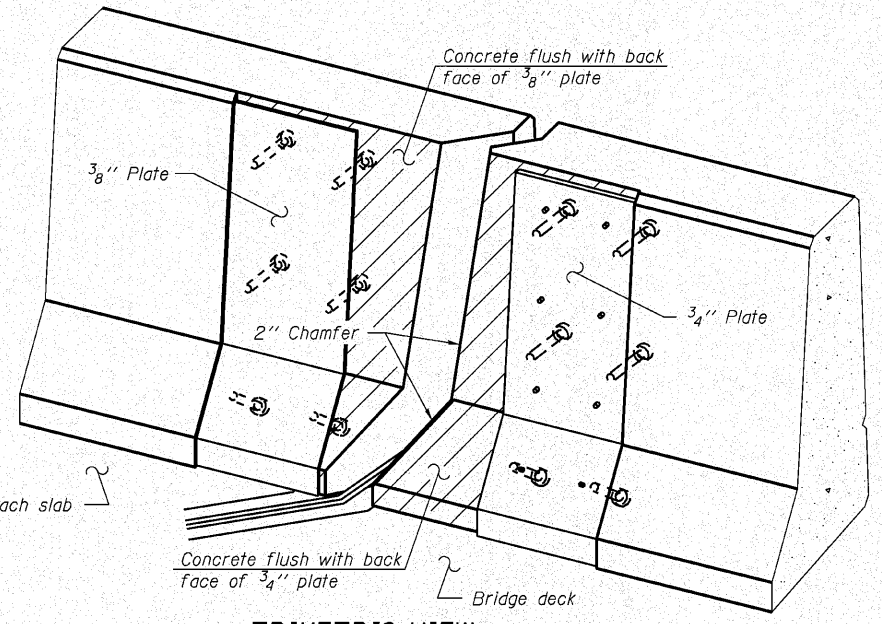
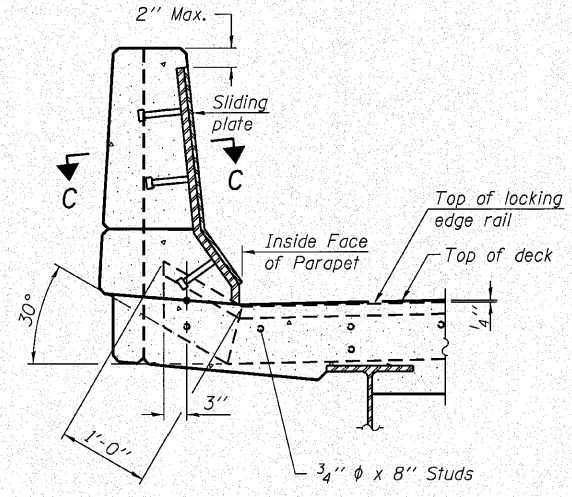
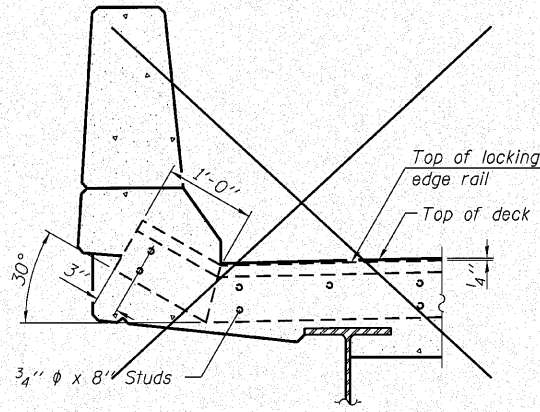
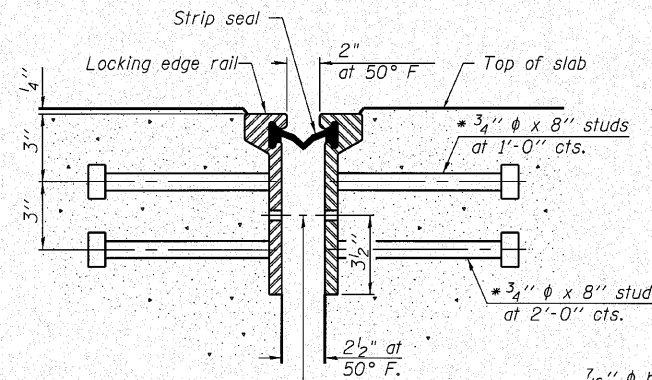


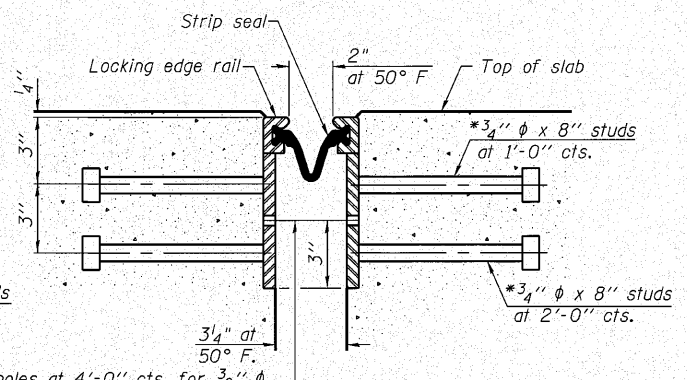
TYPICAL END TREATMENT AT SIDEWALK OR MEDIAN
Shorter plates with a single row of studs at 12" cts. may be necessary on medians which are shallower than 9". See manufacturer's recommendation.



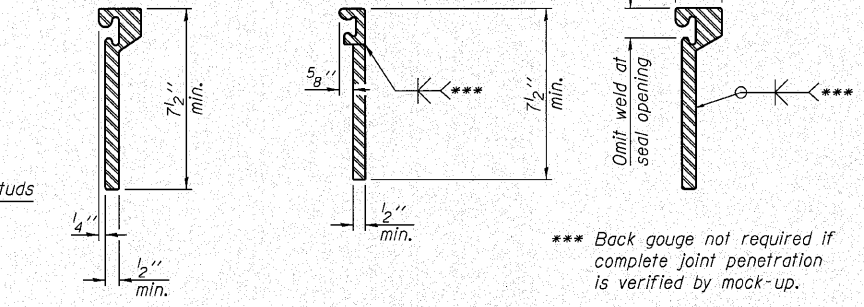
Notes:
The strip seal shall be made continuous and shall have a minimum thickness of 1/4". The configuration of the strip seal shall match the configuration of the Locking Edge Rails. Open or "webbed" strip seal gland configurations are not permitted. The gland shall be sized for a maximum rated movement of 4 inches.
The Locking Edge Rails depicted are conceptual only, except for the minimum dimensions shown. The actual configuration of the Locking Edge Rails and matching strip seal may vary from manufacturer to manufacturer. Flanged edge rails will not be allowed. Locking Edge Rails may be spliced at slope discontinuities.
The manufacturer's recommended installation methods shall be followed.
The joint opening and deck dimensions detailed on the superstructure are based on a rolled rail expansion joint. If the Contractor elects to use the welded rail expansion joint, the opening and deck dimensions shall be modified according to the dimensions detailed on this sheet. Required modifications shall be made at no additional cost to the State.
All steel components shall be galvanized after fabrication according to Article 520.03 of the Standard Specifications. Maximum space between rail segments at stage lines shall be 3/16", sealed with a suitable sealant.
Parapet plates and anchorage studs for skews $> 30^\circ$ included in the cost of Preformed Joint Strip Seal.



7/16" ϕ holes at 4'-0" cts. for 3/8" ϕ bolts. All bolts shall be burned, sawed, or chipped off flush with the plates after forms are removed, typ.



7/16" ϕ holes at 4'-0" cts. for 3/8" ϕ bolts. All bolts shall be burned, sawed, or chipped off flush with the plates after forms are removed, typ.



LOCKING EDGE RAIL SPLICE
The inside of the locking edge rail groove shall be free of weld residue.
Rolled rail shown, welded rail similar.

BILL OF MATERIAL

Item	Unit	Total
Preformed Joint Strip Seal	Foot	364

EJ-SSJ 7-1-10

FILE NAME =	USER NAME = rdonley	DESIGNED - BWS	REVISED -
CLORBA GROUP, INC. CONSULTING ENGINEERS	591 North Commonwealth Avenue, Suite #100, Chicago, Illinois 60606	CHECKED - EKM	REVISED -
773.775.4214	773.775.4214	DRAWN - RD	REVISED -
		CHECKED - SCD	REVISED -

STATE OF ILLINOIS DEPARTMENT OF TRANSPORTATION

PREFORMED JOINT STRIP SEAL STRUCTURE NO. 099-0070 (E.B.) & 099-0071 (W.B.)
SHEET NO. S-14 OF S-27 SHEETS

F.A.I. RTE. 80	SECTION 99(5&S-1) Y-1	COUNTY WILL	TOTAL SHEETS 309	SHEET NO. 202
				CONTRACT NO. 60M59
ILLINOIS FED. AID PROJECT				