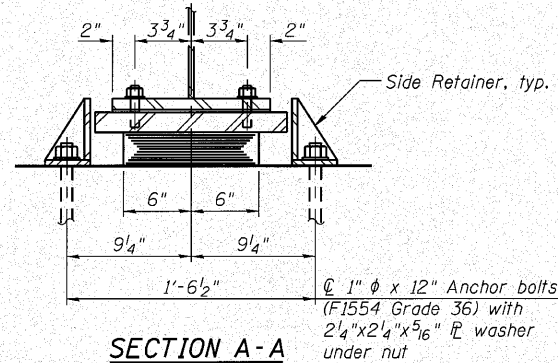
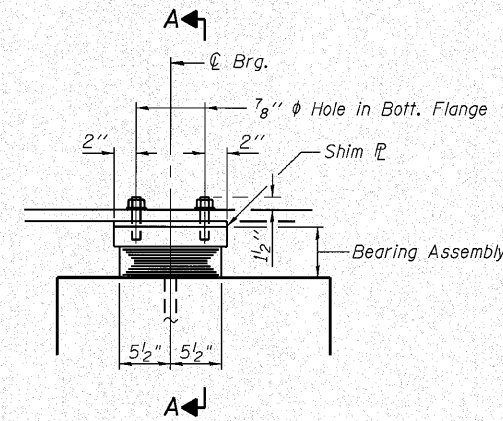


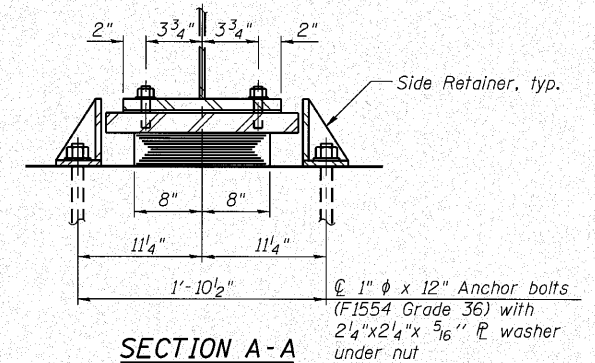
ELEVATION AT W. ABUT.



SECTION A-A

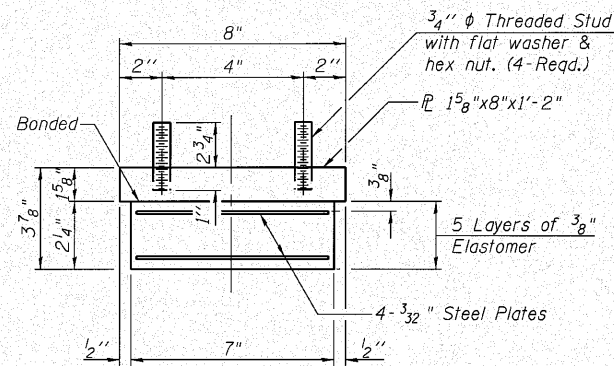


ELEVATION AT PIER 2



SECTION A-A

TYPE I ELASTOMERIC EXP. BRG.

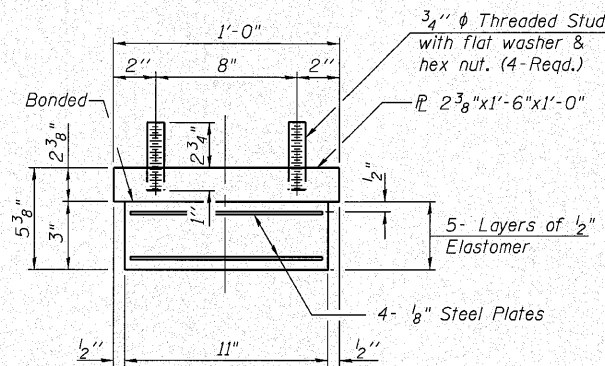


BEARING ASSEMBLY

Note:
Shim plates shall not be placed under Bearing Assembly.

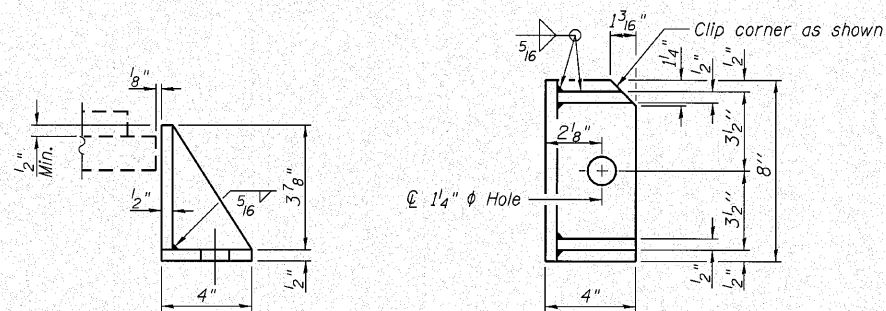
Notes:
Anchor bolts shall be ASTM F1554 all-thread (or an Engineer-approved alternate material) of the grade(s) and diameter(s) specified. ASTM A307 Grade C anchor bolts may be used in lieu of ASTM F1554 Grade 36 (Fy=36ksi). The corresponding specified grade of AASHTO M314 anchor bolts may be used in lieu of ASTM F1554.
Anchor bolts at fixed bearings may be either cast in place or installed in holes drilled after the supported member is in place.
Anchor bolts for side retainers may be cast in place or installed in holes drilled before or after members are in place.
Drilled and set anchor bolts shall be installed according to Article 521.06 of the Standard Specifications.
Side retainers and other steel members required for the elastomeric bearing assembly shall be included in the cost of Elastomeric Bearing Assembly, Type I.
Two 1/8 inch adjusting shims shall be provided for each bearing in addition to all other plates or shims as shown on bearing details.

TYPE I ELASTOMERIC EXP. BRG.



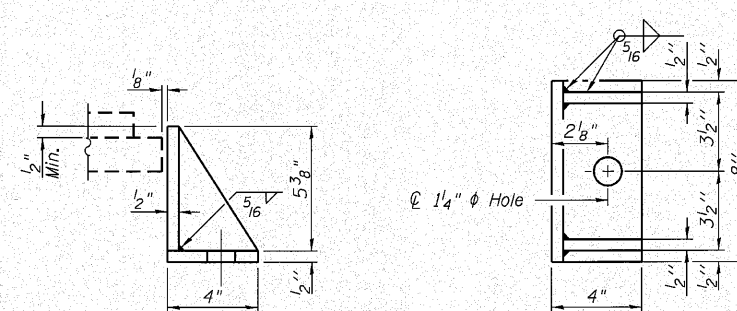
BEARING ASSEMBLY

Note:
Shim plates shall not be placed under Bearing Assembly.



SIDE RETAINER

Equivalent rolled angle with stiffeners will be allowed in lieu of welded plates.



SIDE RETAINER

Equivalent rolled angle with stiffeners will be allowed in lieu of welded plates.

BILL OF MATERIAL

Item	Unit	Total
Elastomeric Bearing Assembly Type I	Each	8
Anchor Bolts, 1"	Each	16

n:\pro\3384\3.eest\design\structural\1-80 N&S 17 Bearing Details Ldgn

I-2E-1

7-1-10

FILE NAME =	USER NAME = rdanley	DESIGNED - BWS	REVISED -
CLORBA GROUP, INC.		CHECKED - EKM	REVISED -
CONSULTING ENGINEERS		DRAWN - RD	REVISED -
1845 North Dearborn Avenue		CHECKED - SCD	REVISED -
Chicago, Illinois 60648			
TEL: 773.776.4200			
FAX: 773.776.4204			
WWW.CLORBA.COM			
PLOT SCALE =	PLOT DATE = 10/28/2010		

STATE OF ILLINOIS
DEPARTMENT OF TRANSPORTATION

BEARING DETAILS I
STRUCTURE NO. 099-0070 (E.B.) & 099-0071 (W.B.)

SHEET NO. S-17 OF S-27 SHEETS

F.A.I. RTE.	SECTION	COUNTY	TOTAL SHEETS	SHEET NO.
80	99(5&5-1) Y-1	WILL	309	205
CONTRACT NO. 60M59			ILLINOIS FED. AID PROJECT	