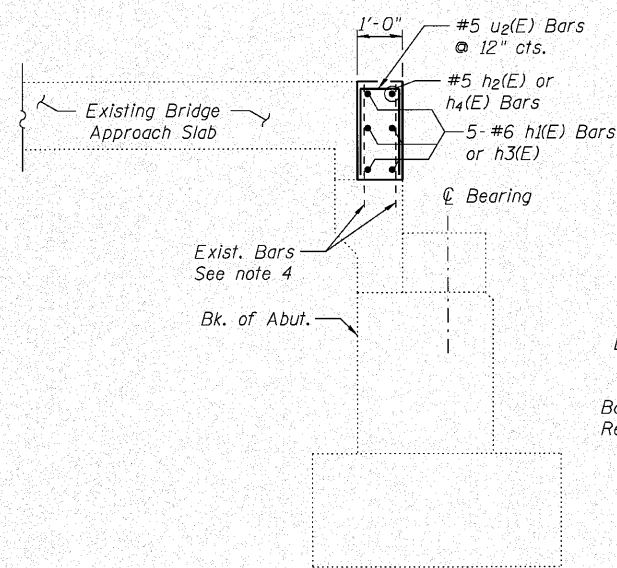
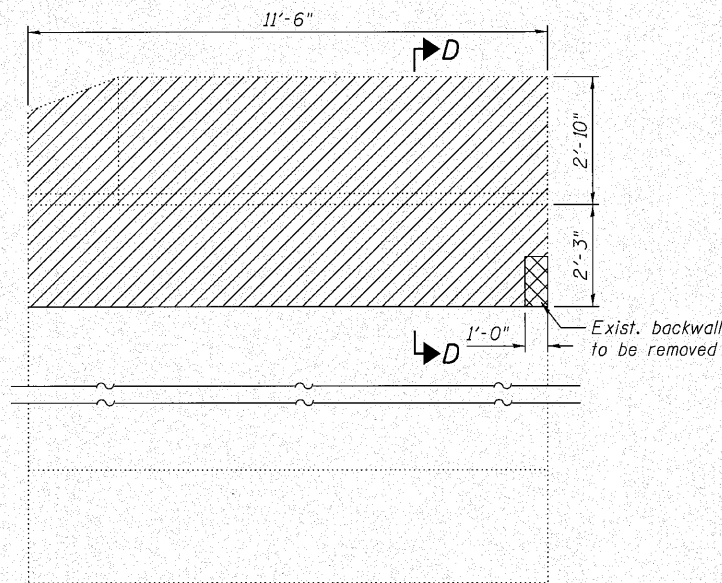


SECTION A-A

* Align Bar Splicer parallel to approach slab reinforcement

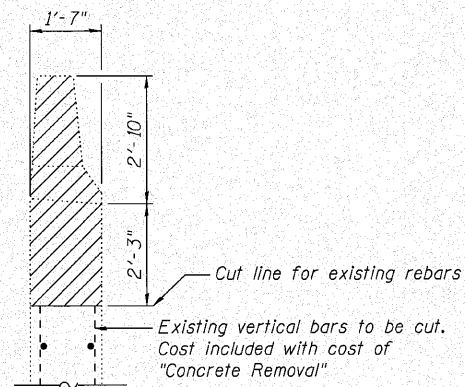


SECTION B-B



VIEW C-C

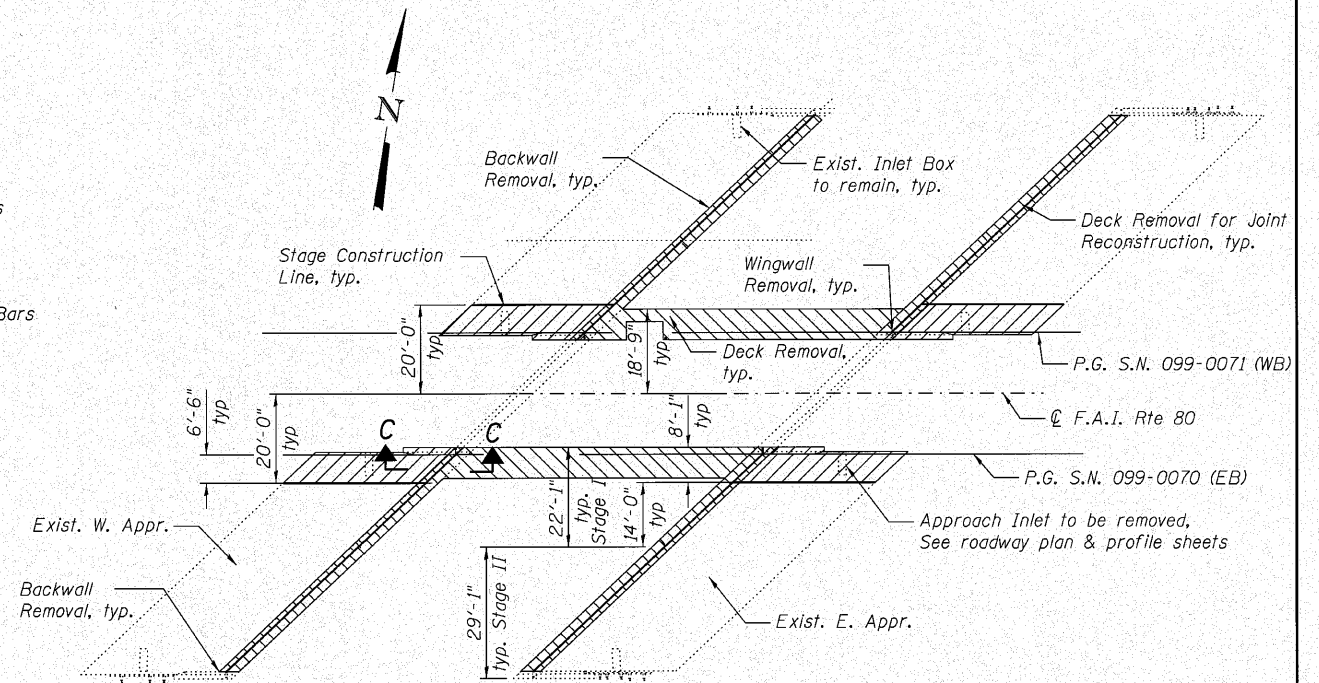
Top of existing wingwall limits of removal



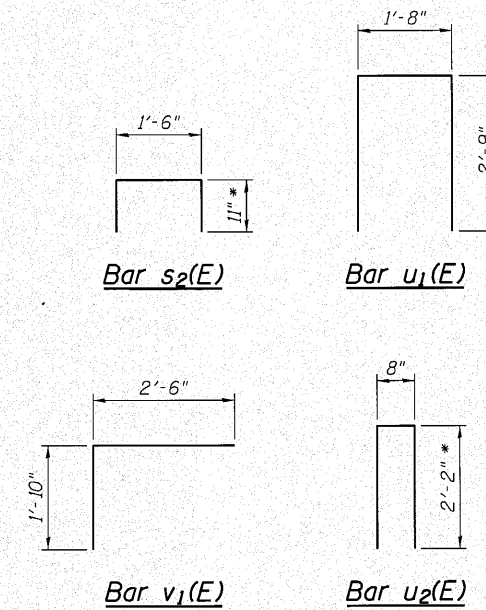
SECTION D-D

LEGEND:

Concrete removal



REMOVAL PLAN



Bar s₂(E)

Bar u₁(E)

Bar v₁(E)

Bar u₂(E)

* Field cut legs to maintain clearances

BILL OF MATERIAL

Bar	No.	Size	Length	Shape
h ₁ (E)	40	# 6	26'-8"	—
h ₂ (E)	8	# 5	26'-3"	—
h ₃ (E)	20	# 6	23'-1"	—
h ₄ (E)	4	# 5	22'-10"	—
h ₅ (E)	20	# 6	21'-11"	—
h ₆ (E)	4	# 5	21'-8"	—
s ₂ (E)	32	# 5	3'-4"	⌊
u ₁ (E)	48	# 5	7'-2"	⌊
u ₂ (E)	366	# 5	5'-0"	⌊
v(E)	64	# 5	1'-6"	—
v ₁ (E)	112	# 5	4'-4"	⌊
Concrete Structures		Cu. Yd.	2.1	
Reinforcement Bars, Epoxy Coated		Pound	6,350	
Concrete Removal		Cu. Yd.	214.4	
Concrete Sealer		Sq. Ft.	2,666	
Bar Splicers		Each	136	

NOTES:

- For approach slab details see sheets S-12 and S-13.
- Drill and grout bars according to section 584 of Standard Specification. Cost included with cost of Reinforcement Bars, Epoxy Coated.
- Quantity of Concrete in backwall included in Bill of Materials on sheet S-10.
- Existing reinforcement shall be cleaned and incorporated into the new construction. Any reinforcement bars that are damaged during concrete removal operations shall be replaced using an approved bar splicer or anchorage system. Cost included with Concrete Removal.

nt:\pro\3384\3_eeast\design\structural\1-80 over n8s\ced\3384_1-80 N&S 21 Abutment Details.dgn

CG Clorba Group, Inc.
CONSULTING ENGINEERS
2000 N. 11th Street, Suite 100
Chicago, IL 60642
Tel: 773.775.4000
Fax: 773.775.4014
Email: info@clorbagroup.com

USER NAME = rdenley	DESIGNED - BWS	REVISED -
PLOT SCALE =	CHECKED - EKM	REVISED -
PLOT DATE = 10/28/2010	DRAWN - RD	REVISED -
	CHECKED - SCD	REVISED -

**STATE OF ILLINOIS
DEPARTMENT OF TRANSPORTATION**

**ABUTMENT AND REMOVAL DETAILS
STRUCTURE NO. 099-0070 (E.B.) & 099-0071 (W.B.)**

SHEET NO. S-21 OF S-27 SHEETS

F.A.I. RTE.	SECTION	COUNTY	TOTAL SHEETS	SHEET NO.
80	99(5&5-1) Y-1	WILL	309	209
				CONTRACT NO. 60M59
ILLINOIS FED. AID PROJECT				