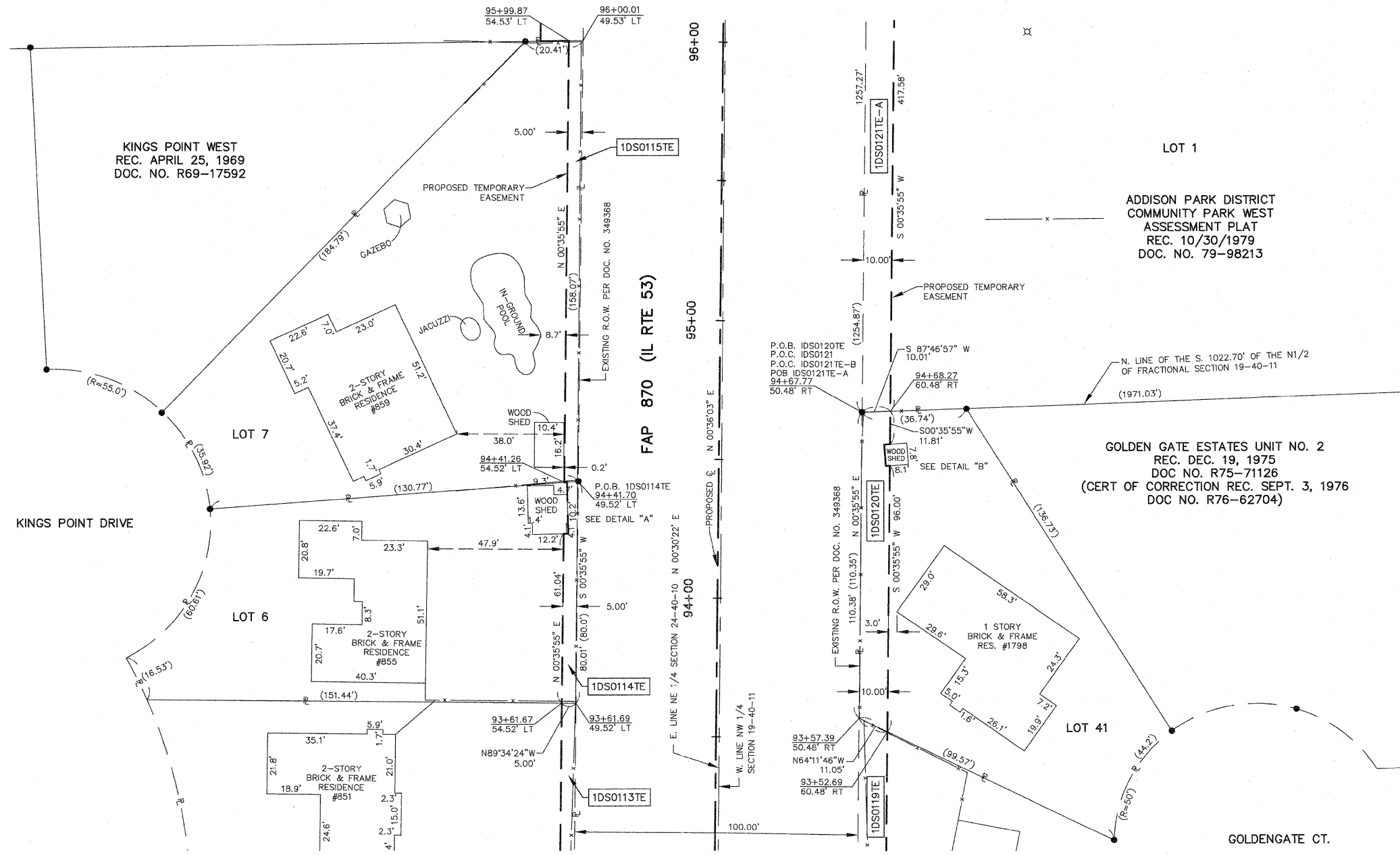


SEE SHEET 6



LEGEND

SECTION CORNER: 9 10 15 16 15 10 15

QUARTER SECTION CORNER: 10 15

SECTION LINE: ---

QUARTER SECTION LINE: ---

PLATTED LOT LINE: ---

PROPERTY (DEED) LINE: ---

APL: ---

APPARENT PROPERTY LINE: ---

CENTERLINE: ---

EXISTING RIGHT OF WAY LINE: ---

EXISTING EASEMENT: ---

PROPOSED RIGHT OF WAY LINE: ---

PROPOSED EASEMENT: ---

MEASURED DIMENSION: ---

RECORD DATA: ---

EXISTING BUILDINGS: [Symbol]

IRON PIPE OR ROD FOUND: [Symbol]

CUT CROSS FOUND OR SET: [Symbol]

T1: THESE STAKES REFERENCE FOUND OR SET MONUMENTATION, SET 5/8 INCH IRON ROD FLUSH WITH THE GROUND TO THE MONUMENTATION, IDENTIFIED BY COLORED PLASTIC CAP BEARING SURVEYORS REGISTRATION NUMBER.

T2: THESE STAKES, IN CULTIVATED AREAS, REFERENCE FOUND OR SET MONUMENTATION, BURIED 5/8 INCH ROD 20 INCHES BELOW GROUND TO THE MONUMENTATION, IDENTIFIED BY COLORED PLASTIC CAP BEARING SURVEYORS REGISTRATION NUMBER.

T3: THESE STAKES, IN CULTIVATED AREAS, REFERENCE FOUND OR SET MONUMENTATION, BURIED 5/8 INCH ROD 20 INCHES BELOW GROUND TO THE MONUMENTATION, IDENTIFIED BY INSCRIPTION DATA AND SURVEYORS REGISTRATION NUMBER.

BT1: STAKING OF PROPOSED RIGHT OF WAY IN CULTIVATED AREAS, BURIED 5/8 INCH IRON ROD 20 INCHES BELOW GROUND TO MARK FUTURE SURVEY MARKER POSITION, IDENTIFIED BY COLORED PLASTIC CAP BEARING SURVEYORS REGISTRATION NUMBER.

BT2: STAKING OF PROPOSED RIGHT OF WAY IN CULTIVATED AREAS, BURIED 5/8 INCH IRON ROD 20 INCHES BELOW GROUND TO MARK FUTURE SURVEY MARKER POSITION, IDENTIFIED BY INSCRIPTION DATA AND SURVEYORS REGISTRATION NUMBER.

BT3: PERMANENT SURVEY MARKER, IDOT STD. 2135 (TO BE SET BY OTHERS)

[Symbol]: RIGHT OF WAY STAKING PROPOSED TO BE SET

STATE OF ILLINOIS }
COUNTY OF KANE }SS

THIS IS TO CERTIFY THAT I, REJENA H. LYON, AN ILLINOIS PROFESSIONAL LAND SURVEYOR, HAVE SURVEYED THE PLAT OF HIGHWAYS SHOWN HEREON IN SECTION 24, TOWNSHIP 40 NORTH, RANGE 10 EAST, AND SECTION 19, TOWNSHIP 40 NORTH, RANGE 11 EAST OF THE THIRD PRINCIPAL MERIDIAN, DUPAGE COUNTY; THAT THE SURVEY IS TRUE AND COMPLETE AS SHOWN TO THE BEST OF MY KNOWLEDGE AND BELIEF; THAT THE PLAT CORRECTLY REPRESENTS SAID SURVEY; THAT ALL MONUMENTS FOUND AND ESTABLISHED ARE OF PERMANENT QUALITY AND OCCUPY THE POSITIONS SHOWN HEREON AND THAT THE MONUMENTS ARE SUFFICIENT TO ENABLE THE SURVEY TO BE RETRACED, MADE FOR THE DEPARTMENT OF TRANSPORTATION, STATE OF ILLINOIS. THIS PROFESSIONAL SERVICE CONFORMS TO THE CURRENT ILLINOIS MINIMUM STANDARDS FOR A BOUNDARY SURVEY FOR THAT PORTION SHOWN AS PROPOSED RIGHT-OF-WAY.

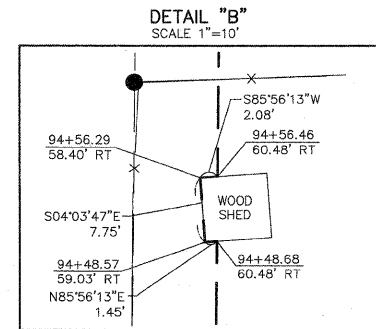
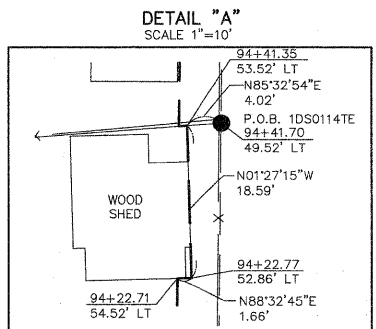
DATED AT ELGIN, ILLINOIS, THIS ____ DAY OF _____, 20__ A.D.

ILLINOIS PROFESSIONAL LAND SURVEYOR NO. 3302
ACCOUNT NO. 2-04-0052(a)

REJENA H. LYON
3302
PROFESSIONAL
LAND
SURVEYOR
STATE OF
ILLINOIS
ELGIN, ILLINOIS

LICENSE EXPIRES 11/30/2010

ALL BEARINGS ARE BASED ON ILLINOIS STATE PLANE COORDINATE SYSTEM NAD 83, EAST ZONE GRID.



PARCEL NUMBER	OWNER	TOTAL HOLDINGS	AREA TAKEN	PREVIOUS DEDICATION	REMAINDER	AREA OF EASEMENT	PURPOSE OF EASEMENT	TAX NUMBER	PROPERTY ACQUIRED BY
1DS0113TE	Christoforo Amato and Anna Amato, husband and wife, as tenants in common	0.226 AC±	NA	NA	NA	0.008 AC (350 SF)±	GRADING	02-24-202-018	
1DS0114TE	John Fricano and Sandra J. Fricano, his wife, as joint tenants	0.240 AC±	NA	NA	NA	0.009 AC (374 SF)±	GRADING	02-24-202-017	
1DS0115TE	Henry Addante and Cheryl Addante, husband and wife, as tenants by the entirety	0.350 AC±	NA	NA	NA	0.018 AC±	GRADING	02-24-202-016	
1DS0119TE	Lillian S. Keppler, divorced and not since remarried	0.205 AC±	NA	NA	NA	0.035 AC±	GRADING	03-19-101-029	
1DS0120TE	Nick Liagridon and Georgia Liagridon, his wife, in joint tenancy	0.237 AC±	NA	NA	NA	0.026 AC±	GRADING	03-19-101-013	
1DS0121	Addison Park District, a municipal corporation	39.805 AC±	0.017 AC ±	NA	39.788 AC ±	NA	NA	03-19-100-004	
1DS0121TE-A			NA	NA	NA	0.208 AC±	GRADING		
1DS0121TE-B			NA	NA	NA	0.357 AC±	GRADING		

12/4/09 REVISED PARCELS 1DS0114TE & 1DS0120TE
7/16/09 PARCEL 1DS0115TE OWNERSHIP CHANGE

TOPO UPDATED 7/16/09
FIELD WORK COMPLETED 6/27/03

PLAT OF HIGHWAYS
STATE OF ILLINOIS
DEPARTMENT OF TRANSPORTATION
F.A.P. 870 (IL RTE 53)

DuPAGE COUNTY SECTION
PROJECT JOB NO. R-91-069-00
STATION 93+50 TO STATION 96+00
SCALE: 1"=20' SHEET 5 OF X

BUREAU OF LAND ACQUISITION
201 WEST CENTER COURT
SCHAUMBURG, ILLINOIS 60196