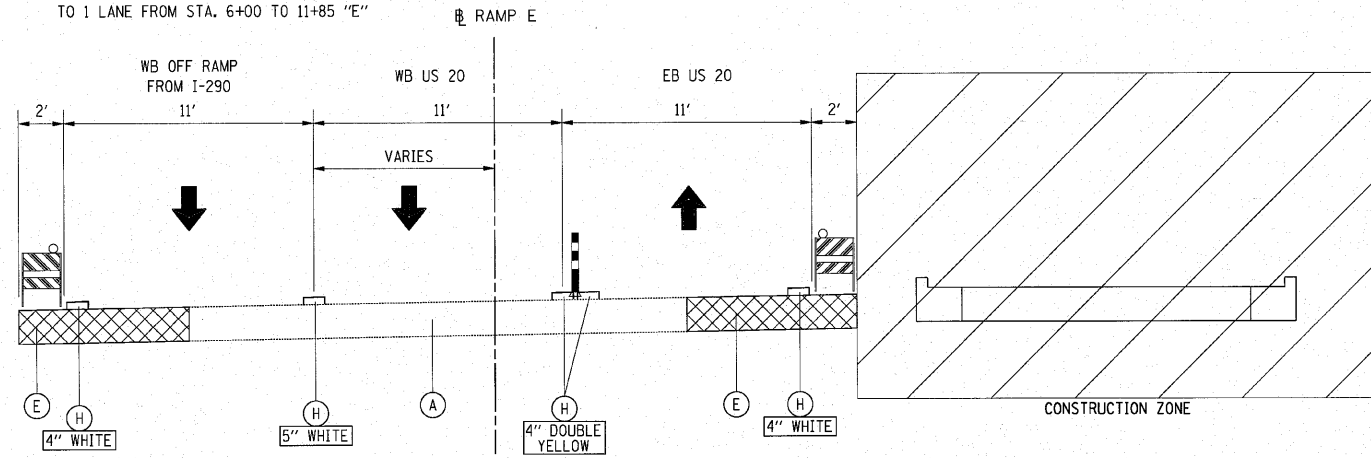
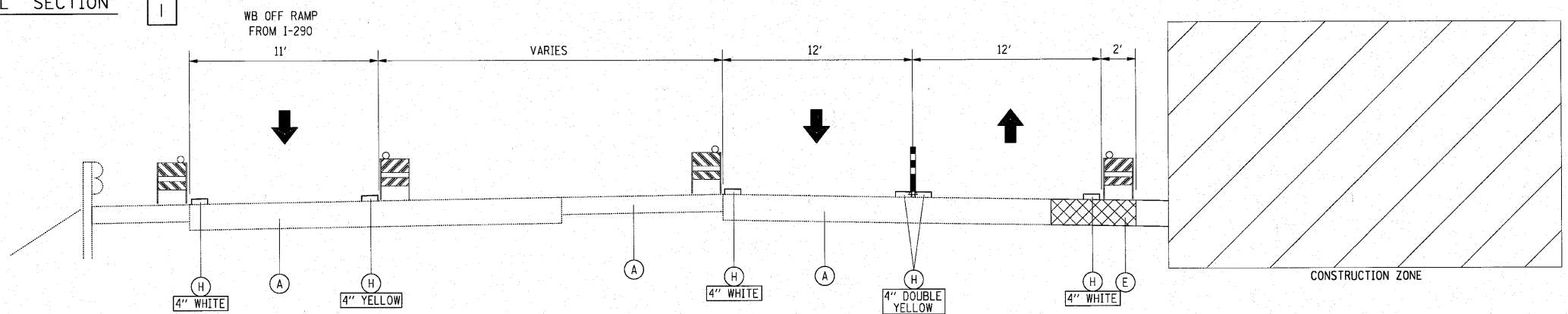


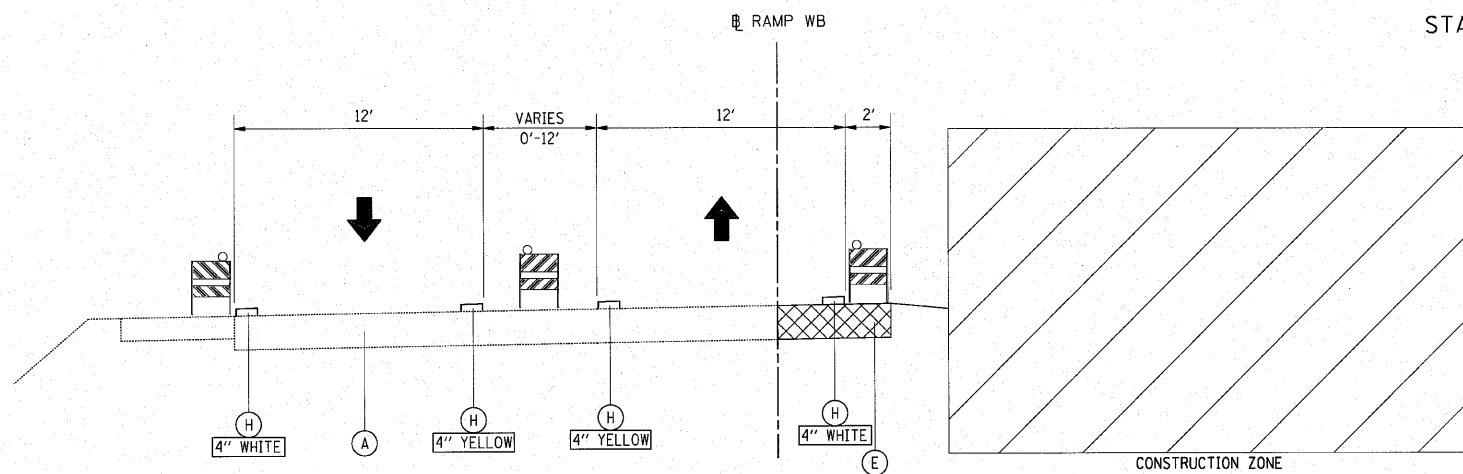
NOTE: WB OFF RAMP FROM I-290
HAS LANE REDUCTION FROM 2 LANES
TO 1 LANE FROM STA. 6+00 TO 11+85 "E"



US ROUTE 20 / RAMP "E"
STA. 0+00 TO STA. 4+00 RAMP "E"
MAINTENANCE OF TRAFFIC
STAGE I
TYPICAL SECTION 1



RAMP "WB" / RAMP "E"
STA. 4+00 TO STA. 9+00 RAMP "E"
MAINTENANCE OF TRAFFIC
STAGE I
TYPICAL SECTION 2



RAMP "WB"
STA. 4+00 TO STA. 17+50
MAINTENANCE OF TRAFFIC
STAGE I
TYPICAL SECTION 3

LEGEND

- (A) EXISTING PAVEMENT
- (B) PROPOSED PAVEMENT CONSTRUCTED IN PRESTAGE
- (C) PROPOSED PAVEMENT CONSTRUCTED IN STAGE I
- (D) PROPOSED PAVEMENT CONSTRUCTED IN STAGE II
- (E) TEMPORARY PAVEMENT CONSTRUCTED IN PRESTAGE
- (F) TEMPORARY PAVEMENT CONSTRUCTED IN STAGE III
- (G) EXISTING/PROPOSED PAVEMENT MARKING (TYP.)
- (H) TEMPORARY PAVEMENT MARKING (TYP.)
- (I) TEMPORARY CONCRETE MEDIAN BARRIER

FILE NAME = Typical Sections.dgn	USER NAME = examples	DESIGNED -	REVISED -
		DRAWN - BLV	REVISED -
	PLOT SCALE = 40.0000' / 1"	CHECKED - SRG	REVISED -
	PLOT DATE = 3/22/2010	DATE - 1/18/10	REVISED -

STATE OF ILLINOIS
DEPARTMENT OF TRANSPORTATION

MAINTENANCE OF TRAFFIC
TYPICAL SECTION
STAGE I

SCALE: N.T.S. SHEET NO. 60 OF SHEETS STA. TO STA.

F.A.U. RTE.	SECTION	COUNTY	TOTAL SHEETS	SHEET NO.
3537	(4Y&22-3)R-2	DUPAGE	284	60
FED. ROAD DIST. NO. ILLINOIS FED. AID PROJECT			CONTRACT NO. 62093	