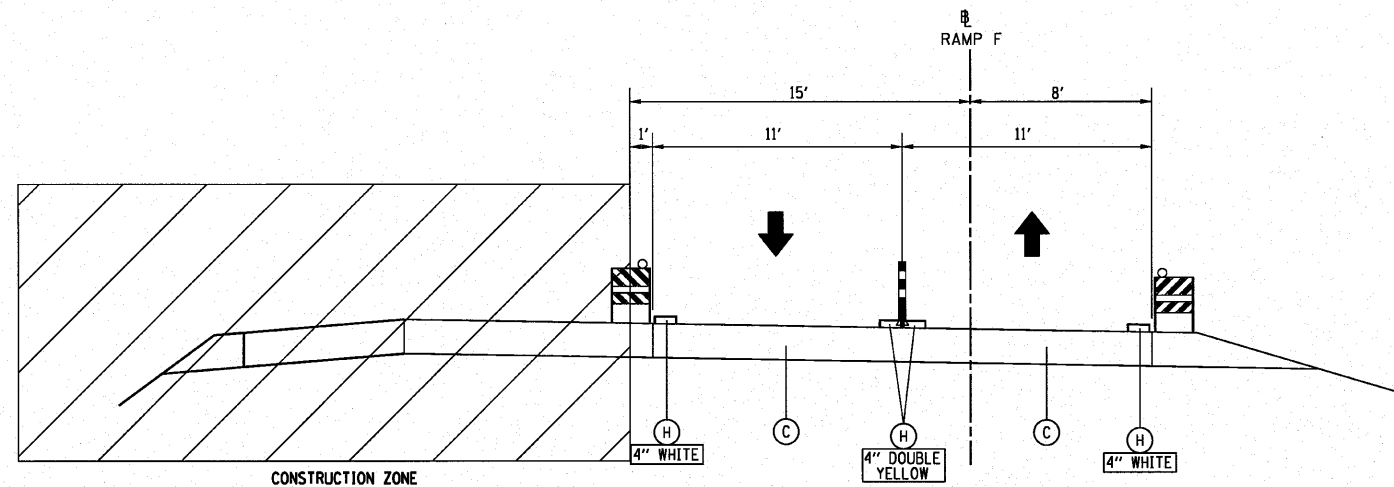


U.S. ROUTE 20 (LAKE STREET)
 STA. 355+65 TO STA. 362+00
 STA. 374+00 TO STA. 381+00
 MAINTENANCE OF TRAFFIC
 STAGE II
 TYPICAL SECTION I



RAMP 'F'
 STA. 4+25 TO STA. 5+25
 MAINTENANCE OF TRAFFIC
 STAGE II
 TYPICAL SECTION 2

LEGEND

- (A) EXISTING PAVEMENT
- (B) PROPOSED PAVEMENT CONSTRUCTED IN PRESTAGE
- (C) PROPOSED PAVEMENT CONSTRUCTED IN STAGE I
- (D) PROPOSED PAVEMENT CONSTRUCTED IN STAGE II
- (E) TEMPORARY PAVEMENT CONSTRUCTED IN PRESTAGE
- (F) TEMPORARY PAVEMENT CONSTRUCTED IN STAGE III
- (G) EXISTING/PROPOSED PAVEMENT MARKING (TYP.)
- (H) TEMPORARY PAVEMENT MARKING (TYP.)
- (I) TEMPORARY CONCRETE MEDIAN BARRIER

FILE NAME =	USER NAME = #USER#	DESIGNED -	REVISED -	STATE OF ILLINOIS DEPARTMENT OF TRANSPORTATION	MAINTENANCE OF TRAFFIC TYPICAL SECTION STAGE II			F.A.U. RTE.	SECTION	COUNTY	TOTAL SHEETS	SHEET NO.	
	#FILE#	DRAWN - BLV	REVISED -		SCALE: N.T.S.	SHEET NO. 63 OF	SHEETS	STA.	TO STA.	3537	(4Y&22-3)R-2	DUPAGE	284
	PLOT SCALE = #SCALE#	CHECKED - SRG	REVISED -										
	PLOT DATE = #DATE#	DATE - 1/18/10	REVISED -										
										CONTRACT NO. 62093			
										FED. ROAD DIST. NO. ILLINOIS FED. AID PROJECT			