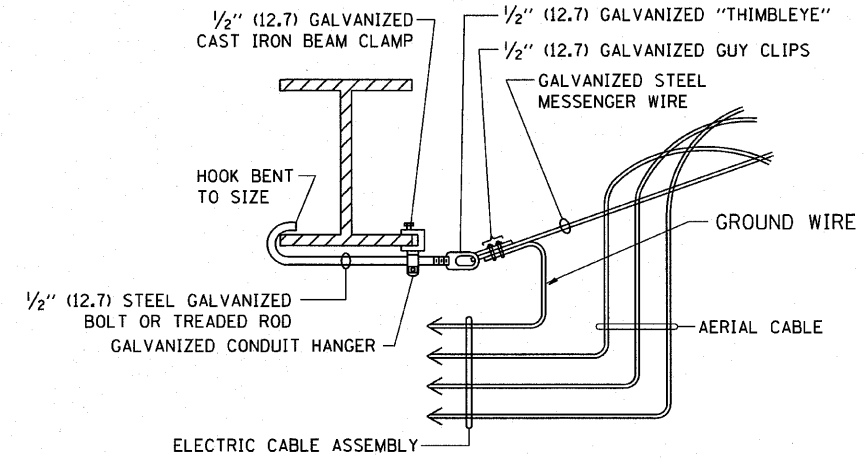


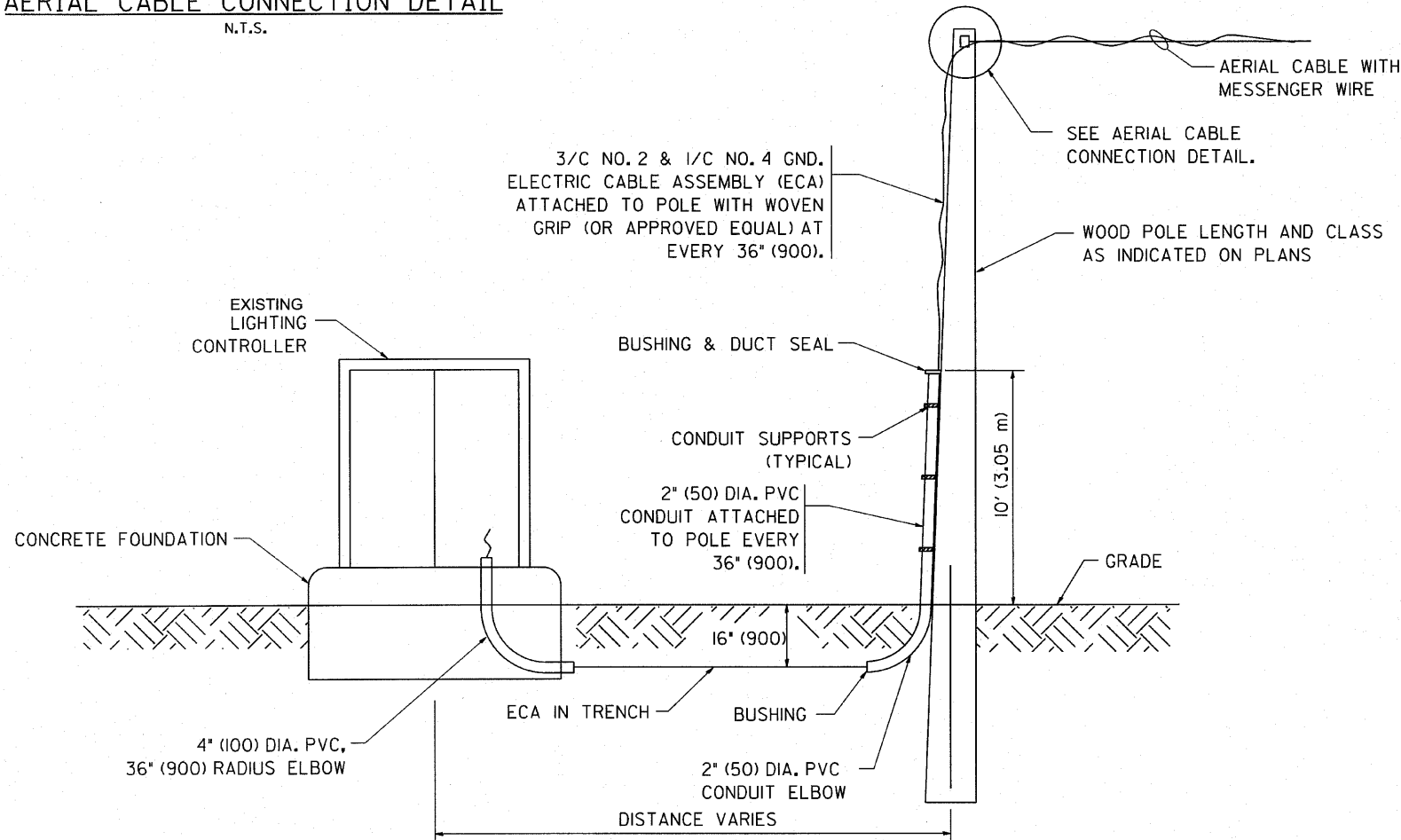
AERIAL CABLE CONNECTION DETAIL
N.T.S.

NOTES:

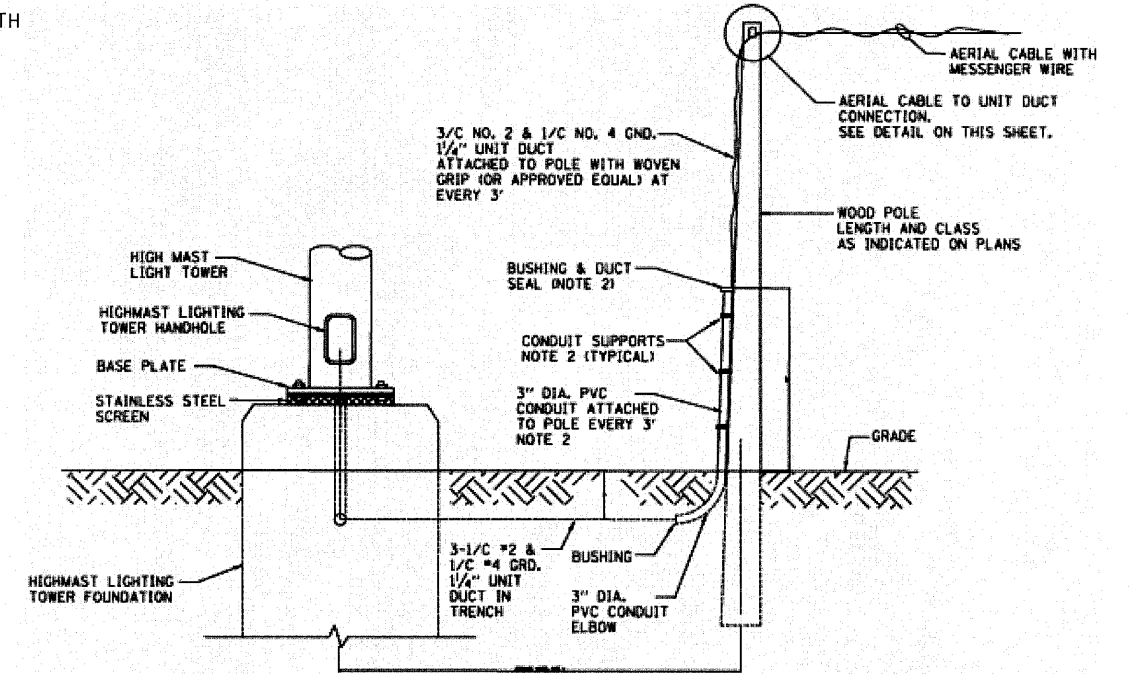
1. ALL DIMENSIONS IN INCHES (MILLIMETERS) UNLESS OTHERWISE INDICATED.
2. SEE PROPOSED LIGHTING PLAN FOR CONDUIT, CABLE AND ROUTING.
3. THE CONTRACTOR SHALL PROVIDE INTERMEDIATE SUPPORTS TO MAINTAIN MINIMUM CLEARANCES. REFER TO AERIAL CABLE ATTACHED TO STRUCTURE DETAIL.
4. COST OF SPLICES AND MOUNTING HARDWARE SHALL BE INCLUDED IN THE UNIT PRICE FOR AERIAL CABLE.



AERIAL CABLE ATTACHED TO STRUCTURE
NOT TO SCALE



WOOD POLE TO LIGHTING CONTROLLER WIRING CONNECTION DETAIL
N.T.S.



WOOD POLE TO HIGH MAST LIGHT TOWER WIRING CONNECTION DETAIL
N.T.S.

NOTE:

1. REFER TO THE LIGHTING PLANS FOR DIMENSION AT EACH LOCATION.
2. THE COST OF INDICATED ITEMS AND RELATED WORK SHALL BE INCLUDED IN THE COST OF THE WOOD POLE PAY ITEM.

FILE NAME =	USER NAME =	DESIGNED -	REVISED -	STATE OF ILLINOIS DEPARTMENT OF TRANSPORTATION	TEMPORARY AERIAL CABLE INSTALLATION			F.A. RTE. =	SECTION	COUNTY	TOTAL SHEETS	SHEET NO.
		DRAWN -	REVISED -		3537	(4Y&22-3)R-2	DuPage	284	156			
PLOT SCALE =	CHECKED -	REVISED -	REVISED -		SCALE: NONE SHEET NO. 1 OF 1 SHEETS STA. TO STA.			BE-801		CONTRACT NO. D-91-533-00		
PLOT DATE =	DATE -	REVISED -	REVISED -		FED. ROAD DIST. NO. 1 (ILLINOIS) FED. AID PROJECT							