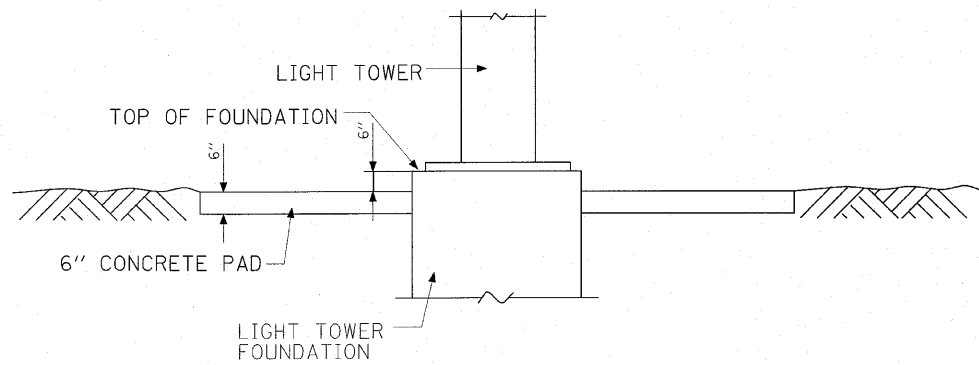
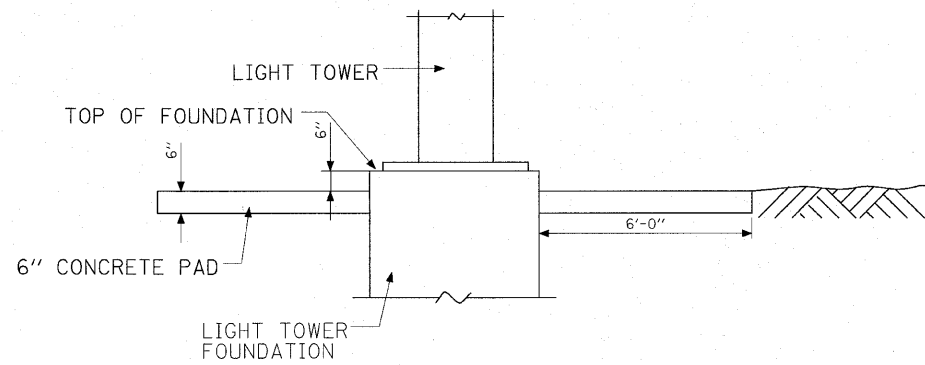


PLAN

ROUND CONCRETE SERVICE PAD



SECTION A-A



SECTION B-B

FILE NAME =	USER NAME = #USER#	DESIGNED - PKG	REVISED -	<b>STATE OF ILLINOIS DEPARTMENT OF TRANSPORTATION</b>	<b>HIGH MAST FOUNDATION SERVICE PAD DETAILS</b>	F.A.P. RTE.	SECTION	COUNTY	TOTAL SHEETS	SHEET NO.	
#FILE#	PLOT SCALE = #SCALE#	DRAWN - MAA, SHM	REVISED -			3537	(4Y&22-3R-2	DuPage	284	163	
	PLOT DATE = #DATE#	CHECKED - PKG	REVISED -			CONTRACT NO. D-91-533-00					
		DATE -	REVISED -			FED. ROAD DIST. NO. 1 ILLINOIS FED. AID PROJECT					
					SCALE: N.T.S.	SHEET NO.	OF	SHEETS	STA.	TO STA.	