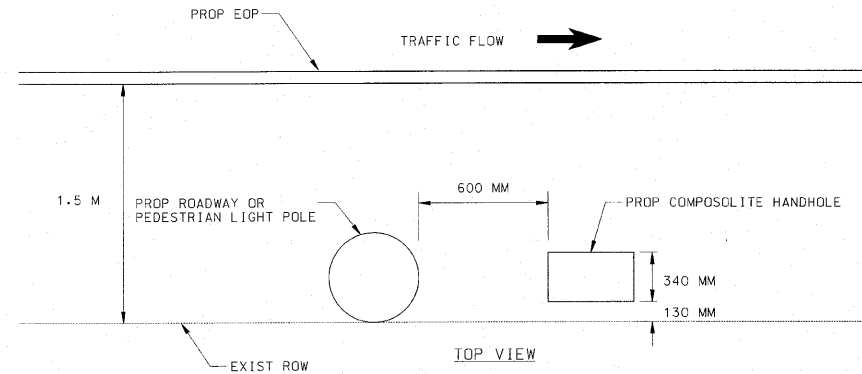
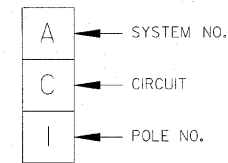


POSITION OF HANDHOLE AND POLE NUMBER FOR ALL POLES



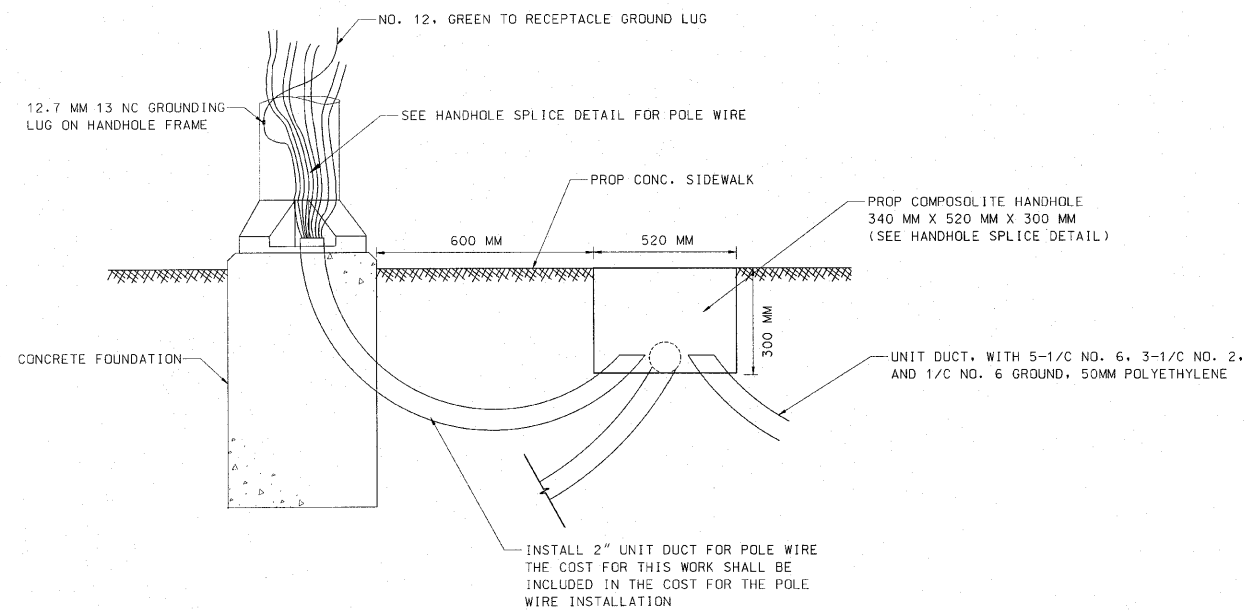
TOP VIEW



NOTE:

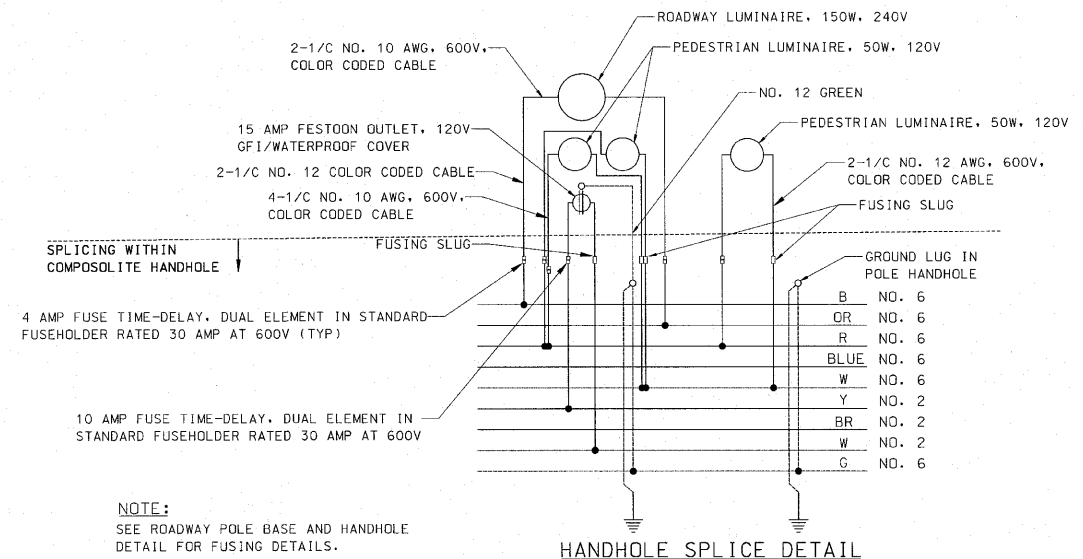
LETTERS AND NUMERALS SHALL BE PLACED 2.134 m ABOVE GROUND LINE (1.7 m WHEN SIGNS ARE ATTACHED TO LIGHT POLE)

POLE NUMBER DETAIL



SIDE VIEW

ROADWAY POLE BASE AND HANDHOLE DETAIL



NOTE:

SEE ROADWAY POLE BASE AND HANDHOLE DETAIL FOR FUSING DETAILS.

HANDHOLE SPLICE DETAIL

FOR INFORMATION ONLY

THIS DETAIL IS APPLICABLE FOR SOUTH YORK ROAD ONLY

FILE NAME = \$FILEL\$	USER NAME = \$USER\$	DESIGNED - PKG	REVISED -	STATE OF ILLINOIS DEPARTMENT OF TRANSPORTATION	STREET LIGHTING DETAILS			F.A.P. RTE.	SECTION	COUNTY	TOTAL SHEETS	SHEET NO.
	PLOT SCALE = \$SCALE\$	DRAWN - MAA, SHM	REVISED -		YORK STREET	3537	(4Y&22-3R-2)	DuPage	284	164		
PLOT DATE = \$DATE\$	DATE -	CHECKED - PKG	REVISED -	SCALE:	SHEET NO.	OF	SHEETS	STA.	TO STA.	CONTRACT NO. D-91-533-00		
										FED. ROAD DIST. NO. 1 ILLINOIS FED. AID PROJECT		