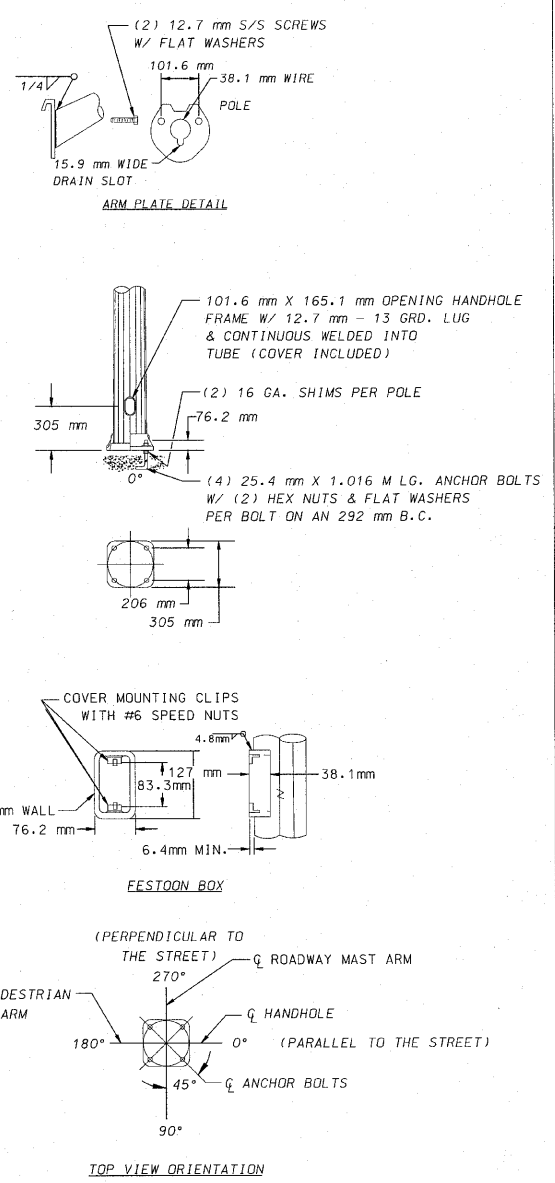
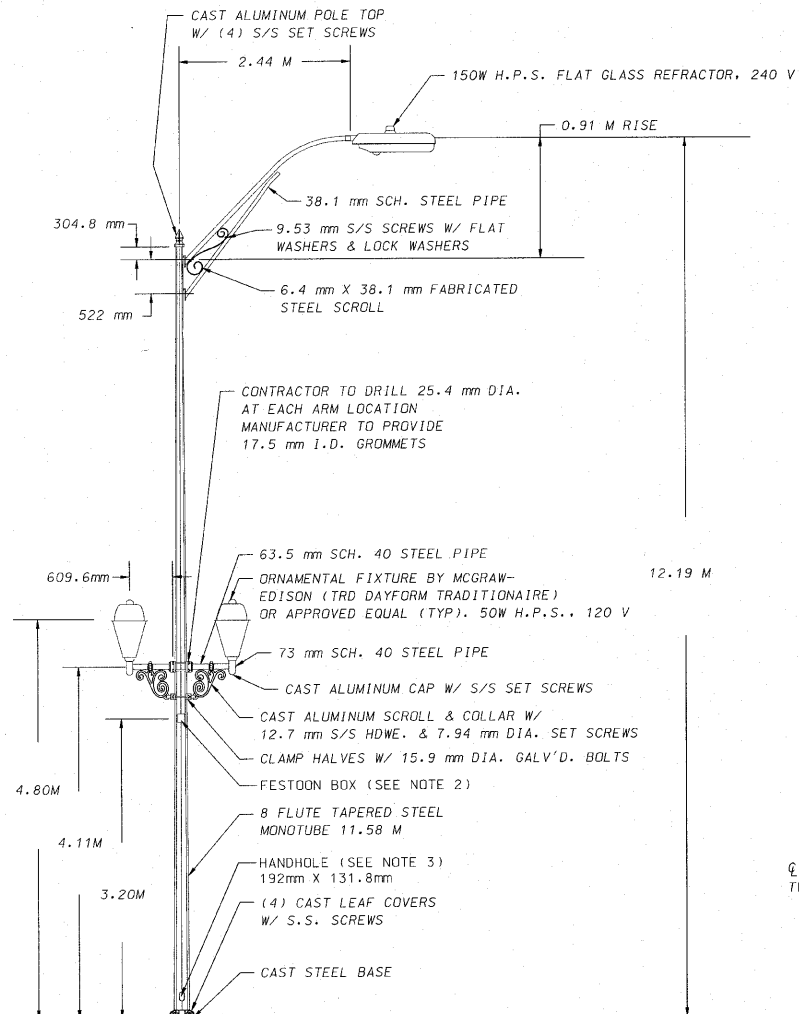
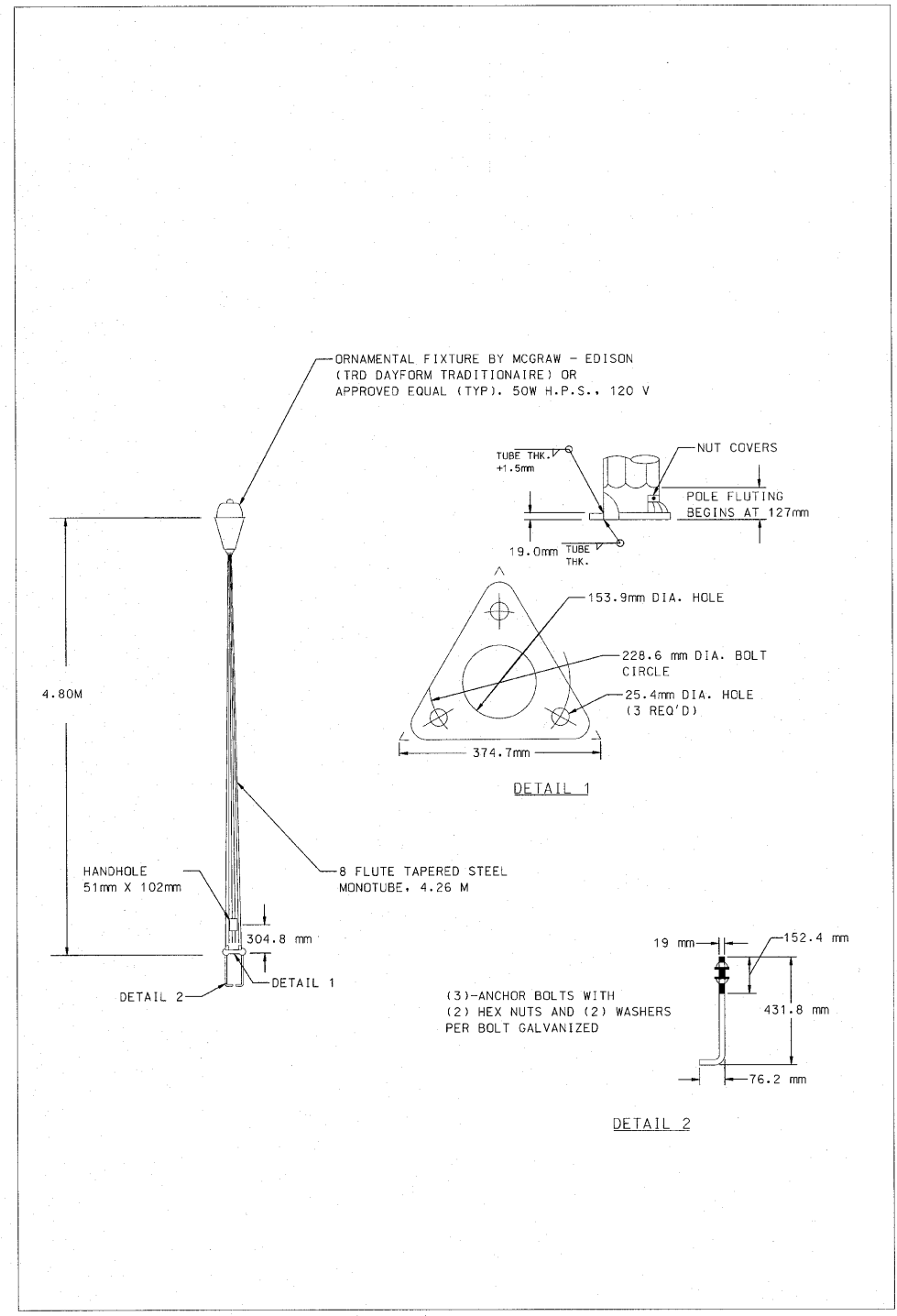


MATERIAL SPECIFICATIONS	
TUBE	CHEM. & PHYSICAL PROP. OF ASTM A595 GR. A
ALUM. CASTINGS	CAST ALUMINUM AA319.0F
SCROLL	ASTM A36
ANCHOR BOLTS NUTS	ASTM-A563 GR. A
ANCHOR BOLTS	ASTM-A36 MOD. 55
STN. STL. HARDWARE	AISI 300 SERIES STN. STL.
STEEL PIPE	ASTM-A53 GR. B OR A501
BASE	ASTM-A27



- NOTES:
1. ORNAMENTAL LIGHTING FIXTURES AND BRACKETS SHOWN ARE ROTATED 90°. SEE TOP VIEW FOR TRUE ORIENTATION.
 2. FESTOON OUTLET IS TO BE INSTALLED ON STREET SIDE OF POLE. OUTLET SHALL BE DUPLEX TYPE 20A, 120 V, WITH IN-USE PROTECTIVE COVER.
 3. SEE SHEET NO. 32 FOR POSITION OF HANDHOLE AND POLE NUMBER FOR ALL POLES DETAIL.
 4. LIGHT POLE FINISH SHALL BE TGIC OR URETANE POLYESTER POWDER, BLACK.
 5. ALL LIGHT POLES SHALL BE SUCH TO WITHSTAND 1.3 GUST FACTORS AND 130 KM/H (80MPH) AASHTO CRITERIA FOR WIND AND VIBRATIONS, CAUSED BY THE WIND PRESSURE.

ROADWAY POLE AND MAST ARM DETAIL
WITH MOUNTING BRACKETS FOR PEDESTRIAN LUMINAIRES
(INSTALL ONLY)



PEDESTRIAN POLE DETAIL
(INSTALL ONLY)

FOR INFORMATION ONLY
THIS DETAIL IS APPLICABLE
FOR ONLY SOUTH OF YORK ROAD

FILE NAME =	USER NAME = #USER#	DESIGNED - PKG	REVISED -	STATE OF ILLINOIS DEPARTMENT OF TRANSPORTATION	STREET LIGHTING DETAILS YORK STREET			F.A.P. RTE.	SECTION	COUNTY	TOTAL SHEETS	SHEET NO.		
#FILE#		DRAWN - MAA, SHM	REVISED -		SCALE:	SHEET NO.	OF SHEETS	STA.	TO STA.	3537	(4Y&22-31R-2)	DuPage	284	165
		CHECKED - PKG	REVISED -		CONTRACT NO. D-91-533-00									
		DATE	REVISED -		FED. ROAD DIST. NO. 1 ILLINOIS FED. AID PROJECT									