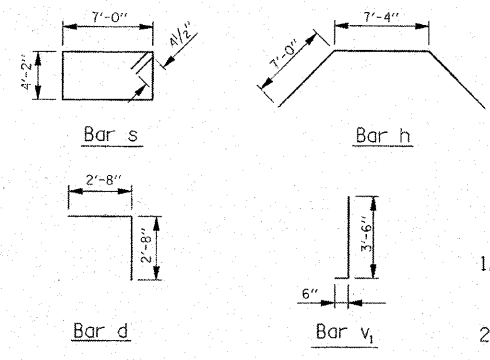
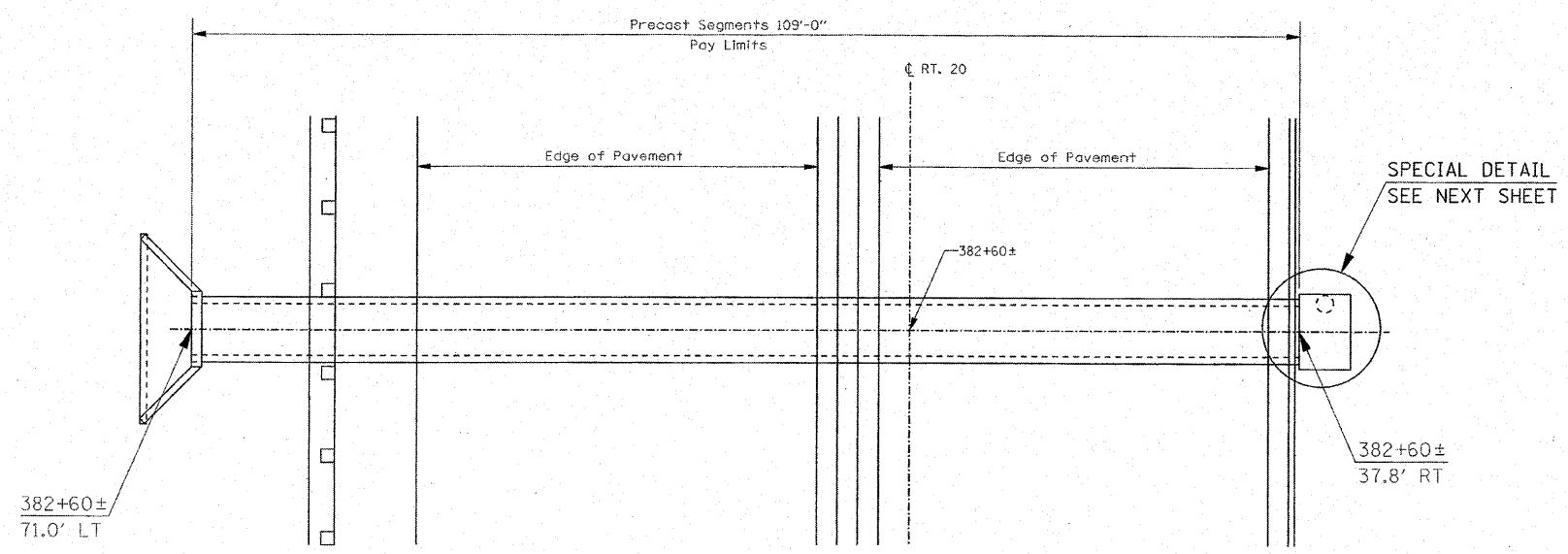


CULVERT ELEVATION

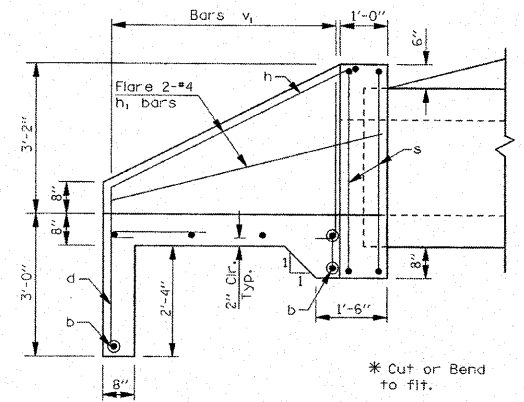


Notes:

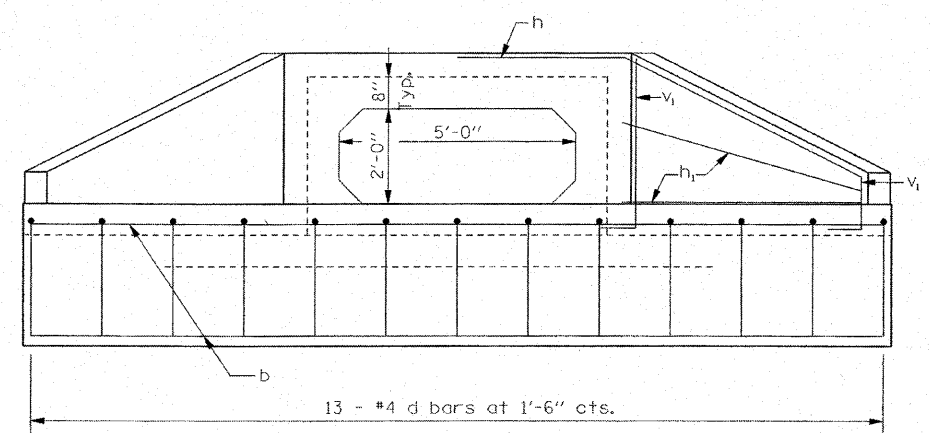
1. Cast-in-place end sections shown, precast end sections may be used.
2. Contractor shall submit shop drawings for the box culvert, end sections, and reinforcement.
3. Contractor shall design the precast box culvert for fill less than 2 ft. and HS20 Live Load Conditions.
4. Contractor shall allow for pipe penetrations as shown on the drainage utility plans.
5. See next sheet for connection to Existing Manhole.



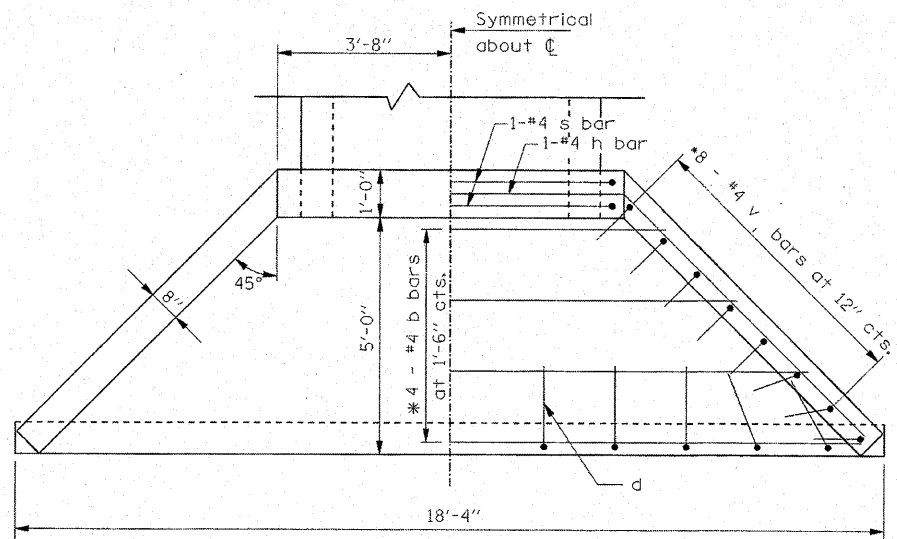
CULVERT PLAN



HEADWALL SECTION



HEADWALL END ELEVATION



HEADWALL PLAN



James M. Hamelka 2.22.2010
 JAMES M. HAMELKA, S.E.
 ILL. LIC. NO. 081-006116
 EXPIRES 11-30-10

FILE NAME = Box Culvert Detail.dgn	USER NAME = IDOT(eng)	DESIGNED - DRAWN - BLV	DESIGNED - REVISED -	STATE OF ILLINOIS DEPARTMENT OF TRANSPORTATION	U.S. ROUTE 20 (LAKE STREET) CULVERT DETAIL	F.A.U. RTE. 3537	SECTION (4Y & 22-3R-2)	COUNTY DUPAGE	TOTAL SHEETS 284	SHEET NO. 166
PLOT SCALE = 40.0000 / 1"	PLOT DATE = 3/22/2010	CHECKED - SRG	REVISOR -	SCALE: N.T.S.	SHEET NO. 166 OF SHEETS	STA. 382+60±	FED. ROAD DIST. NO.	ILLINOIS FED. AID PROJECT	CONTRACT NO. 62093	