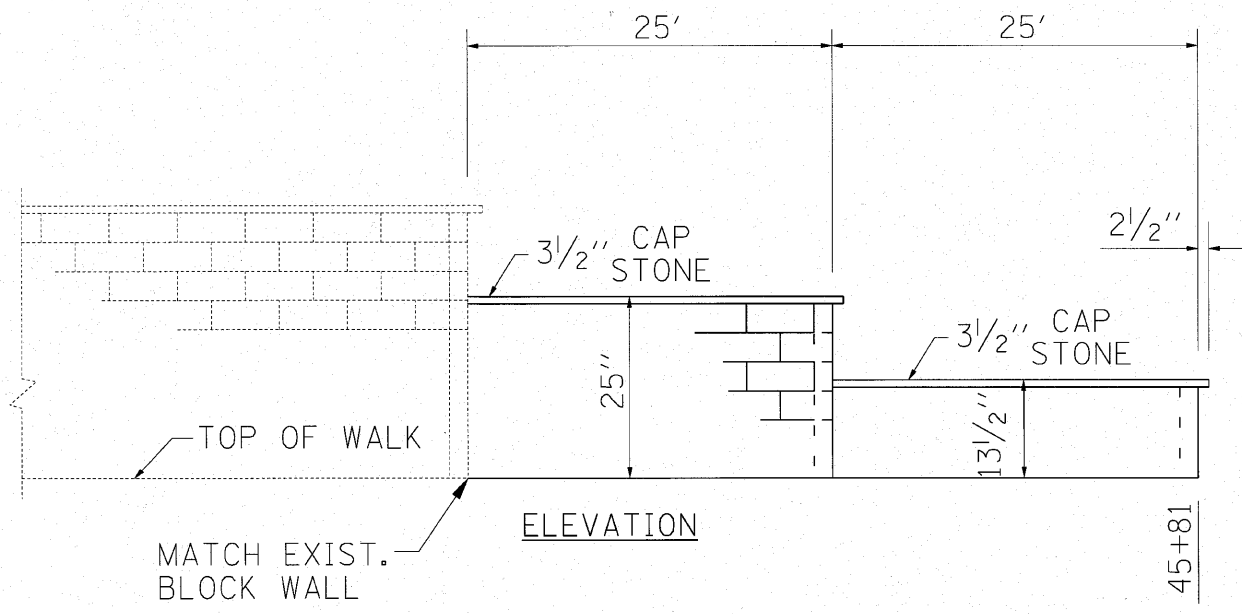
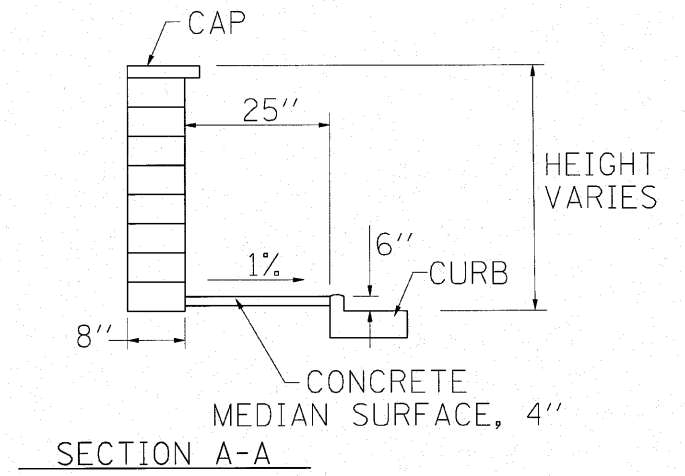


PLAN



ELEVATION



SECTION A-A

FILE NAME = BlkWallDetail.dgn	USER NAME = IDOT(eng)	DESIGNED -	REVISED -	STATE OF ILLINOIS DEPARTMENT OF TRANSPORTATION	YORK ROAD BLOCK WALL DETAIL		F.A.U. RTE. = 3537	SECTION = (4Y & 22-31R-2)	COUNTY = DUPAGE	TOTAL SHEETS = 284	SHEET NO. = 171
	PLOT SCALE = 40.0000' / in.	DRAWN - BLV	REVISED -		SCALE: N.T.S.	SHEET NO. 171 OF	SHEETS	STA. TO STA.	FED. ROAD DIST. NO. = ILLINOIS	FED. AID PROJECT	CONTRACT NO. 62093
	PLOT DATE = 1/13/2010	CHECKED - SRG	REVISED -								
		DATE - 1/18/10	REVISED -								