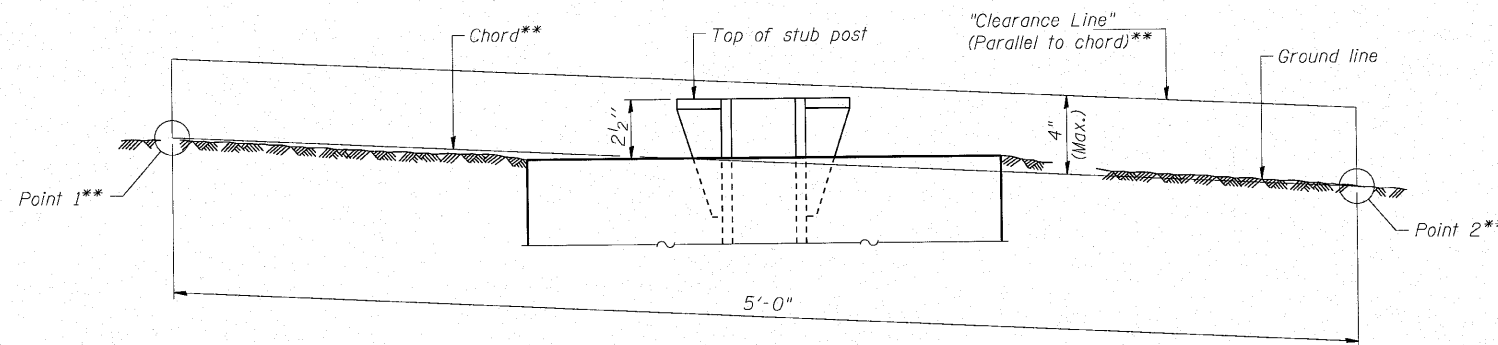


| POST   | CONCRETE FOUNDATION TABLE |                |                       |                      |                      |                    |                  | POST TO STUB POST CONNECTION DATA |             |        |        |        |        |                |                |      |        | FUSE PLATE DATA |        |        |                |        |
|--------|---------------------------|----------------|-----------------------|----------------------|----------------------|--------------------|------------------|-----------------------------------|-------------|--------|--------|--------|--------|----------------|----------------|------|--------|-----------------|--------|--------|----------------|--------|
|        | Foundation                |                |                       | Reinforcement        |                      |                    | Stub Post Length | Bolt Size                         | A           | B      | C      | D      | E      | t <sub>1</sub> | t <sub>2</sub> | R    | W      | J               | K      | L      | t <sub>3</sub> |        |
|        | Diameter                  | *Minimum Depth | Concrete (cu. yds.) ① | Vertical Bars Length | Bar Spirals Diameter | Bar Spirals Length |                  |                                   |             |        |        |        |        |                |                |      |        |                 |        |        |                | lbs. ② |
| W6x9   | 2'-0"                     | 6'-0"          | 0.70                  | 5'-9"                | 1'-8 1/2"            | 79'-0"             | 78               | 2'-3"                             | 5/8" x 3/4" | 6"     | 2 1/4" | 1 1/4" | 3 1/2" | 1 1/4"         | 3/4"           | 1/2" | 1 1/2" | 1 1/4"          | 4"     | 2 1/4" | 7/8"           | 1/4"   |
| W6x15  | 2'-0"                     | 6'-0"          | 0.70                  | 5'-9"                | 1'-8 1/2"            | 79'-0"             | 78               | 2'-6"                             | 5/8" x 3/4" | 6"     | 2 1/4" | 1 1/4" | 3 1/2" | 1 1/4"         | 3/4"           | 1/2" | 1 1/2" | 1 1/4"          | 6"     | 3 1/2" | 1 1/4"         | 3/8"   |
| W8x18  | 2'-0"                     | 6'-0"          | 0.70                  | 5'-9"                | 1'-8 1/2"            | 79'-0"             | 78               | 2'-6"                             | 3/4" x 3/4" | 6"     | 2 1/2" | 1 3/8" | 3 1/4" | 1 3/8"         | 1"             | 1/2" | 1 3/2" | 5/16"           | 5 1/4" | 2 3/4" | 1 1/4"         | 3/8"   |
| W10x22 | 2'-6"                     | 6'-6"          | 1.18                  | 6'-3"                | 2'-2 1/2"            | 105'-0"            | 92               | 3'-0"                             | 3/4" x 3/4" | 6"     | 2 1/2" | 1 3/8" | 3 1/4" | 1 3/8"         | 1"             | 1/2" | 1 3/2" | 5/16"           | 5 3/4" | 2 3/4" | 1 1/2"         | 1/2"   |
| W10x26 | 2'-6"                     | 7'-0"          | 1.27                  | 6'-9"                | 2'-2 1/2"            | 112'-0"            | 98               | 3'-0"                             | 7/8" x 4"   | 7"     | 2 3/4" | 1 1/2" | 4"     | 1 1/2"         | 1"             | 3/4" | 5/32"  | 3/8"            | 5 3/4" | 2 3/4" | 1 1/2"         | 5/8"   |
| W12x26 | 2'-6"                     | 7'-9"          | 1.41                  | 7'-6"                | 2'-2 1/2"            | 119'-0"            | 107              | 3'-0"                             | 7/8" x 4"   | 7"     | 2 3/4" | 1 1/2" | 4"     | 1 1/2"         | 1"             | 3/4" | 5/32"  | 3/8"            | 6 1/2" | 3 1/2" | 1 1/2"         | 5/8"   |
| W14x30 | 3'-0"                     | 7'-3"          | 1.90                  | 7'-0"                | 2'-8 1/2"            | 145'-0"            | 113              | 3'-0"                             | 7/8" x 4"   | 7"     | 2 3/4" | 1 1/2" | 4"     | 1 1/2"         | 1"             | 3/4" | 5/32"  | 3/8"            | 6 3/4" | 3 1/2" | 1 5/8"         | 1/2"   |
| W14x38 | 3'-0"                     | 8'-0"          | 2.09                  | 7'-9"                | 2'-8 1/2"            | 153'-0"            | 122              | 3'-6"                             | 1" x 4 1/2" | 7 1/2" | 3"     | 1 3/4" | 4"     | 1 3/4"         | 1 1/4"         | 3/4" | 1 1/2" | 3/8"            | 6 3/4" | 3 1/2" | 1 5/8"         | 1/2"   |
| W16x45 | 3'-0"                     | 8'-6"          | 2.23                  | 8'-3"                | 2'-8 1/2"            | 162'-0"            | 130              | 3'-6"                             | 1" x 4 1/2" | 7 1/2" | 3"     | 1 3/4" | 4"     | 1 3/4"         | 1 1/4"         | 3/4" | 1 1/2" | 3/8"            | 7"     | 3 1/2" | 1 3/4"         | 1/2"   |

\*Dimensional changes required for varying site conditions shall be approved by the Engineer.

| POST   | FUSE PLATE BOLT SIZE |               |               |               |               |               |               |               |               |               |               |               |               |
|--------|----------------------|---------------|---------------|---------------|---------------|---------------|---------------|---------------|---------------|---------------|---------------|---------------|---------------|
|        | Sign Depth           |               |               |               |               |               |               |               |               |               |               |               |               |
|        | 4'-0"                | 5'-0"         | 6'-0"         | 7'-0"         | 8'-0"         | 9'-0"         | 10'-0"        | 11'-0"        | 12'-0"        | 13'-0"        | 14'-0"        | 15'-0"        | 16'-0"        |
| W6x9   | 1/2" x 1 1/2"        | 1/2" x 1 1/2" | 1/2" x 1 1/2" | 5/8" x 1 3/4" | 5/8" x 1 3/4" | 5/8" x 1 3/4" | ---           | ---           | ---           | ---           | ---           | ---           | ---           |
| W6x15  | 1/2" x 1 3/4"        | 1/2" x 1 3/4" | 5/8" x 2"     | 5/8" x 2"     | 5/8" x 2"     | 3/4" x 2"     | 3/4" x 2"     | 3/4" x 2"     | 7/8" x 2"     | 7/8" x 2"     | ---           | ---           | ---           |
| W8x18  | 1/2" x 1 3/4"        | 1/2" x 1 3/4" | 5/8" x 2"     | 5/8" x 2"     | 5/8" x 2"     | 3/4" x 2"     | 3/4" x 2"     | 7/8" x 2 1/4" | 7/8" x 2 1/4" | 7/8" x 2 1/4" | 7/8" x 2 1/4" | 7/8" x 2 1/4" | 7/8" x 2 1/4" |
| W10x22 | 1/2" x 2"            | 1/2" x 2"     | 5/8" x 2"     | 5/8" x 2"     | 5/8" x 2"     | 3/4" x 2 1/4" | 3/4" x 2 1/4" | 7/8" x 2 1/4" | 7/8" x 2 1/4" | 7/8" x 2 1/4" | 1" x 2 1/2"   | 1" x 2 3/4"   | 1" x 2 3/4"   |
| W10x26 | 1/2" x 2"            | 1/2" x 2"     | 5/8" x 2 1/4" | 5/8" x 2 1/4" | 5/8" x 2 1/4" | 3/4" x 2 1/2" | 3/4" x 2 1/2" | 7/8" x 2 1/2" | 7/8" x 2 1/2" | 1" x 2 3/4"   | 1" x 2 3/4"   | 1" x 2 3/4"   | 1 1/8" x 3"   |
| W12x26 | ---                  | ---           | ---           | ---           | ---           | 5/8" x 2 1/4" | ---           | ---           | 7/8" x 2 1/2" | 7/8" x 2 1/2" | 1" x 2 1/2"   | 1" x 2 3/4"   | 1" x 2 3/4"   |
| W14x30 | 1/2" x 2"            | 1/2" x 2"     | 5/8" x 2"     | 5/8" x 2"     | 5/8" x 2"     | 3/4" x 2 1/4" | 3/4" x 2 1/4" | 7/8" x 2 1/4" | 7/8" x 2 1/4" | 7/8" x 2 1/4" | 1" x 2 1/2"   | 1" x 2 3/4"   | 1" x 2 3/4"   |
| W14x38 | ---                  | 1/2" x 2"     | 5/8" x 2"     | 5/8" x 2"     | 5/8" x 2"     | 3/4" x 2 1/4" | 3/4" x 2 1/4" | 7/8" x 2 1/4" | 7/8" x 2 1/4" | 7/8" x 2 1/4" | 1" x 2 1/2"   | 1" x 2 3/4"   | 1" x 2 3/4"   |
| W16x45 | ---                  | ---           | ---           | 1/2" x 2"     | 1/2" x 2"     | 5/8" x 2 1/4" | 5/8" x 2 1/4" | 7/8" x 2 1/4" | 7/8" x 2 1/4" | 7/8" x 2 1/4" | 1" x 2 1/2"   | 1" x 2 3/4"   | 1" x 2 3/4"   |



ELEVATION  
GROUND LINE & STUB POST

\*\*For all "Point 1" and "Point 2" locations, "Clearance Line" must be at or above top of stub post.

- ① Quantity includes all concrete necessary for one foundation.
- ② Includes reinforcement bars and spiral hooping for one foundation.

| NUMBER | REVISION | DATE |
|--------|----------|------|
|        |          |      |
|        |          |      |
|        |          |      |
|        |          |      |

BAW-A-2 11/1/2002

FILE NAME = Signing Mounts.dgn  
Signing Mounts.dgn

USER NAME = IDOT(feng)  
PLOT SCALE = 1"=50'  
PLOT DATE = 1/13/2010

DESIGNED -  
DRAWN - BLV  
CHECKED - SRG  
DATE - 1/18/10

REVISED -  
REVISED -  
REVISED -  
REVISED -

STATE OF ILLINOIS  
DEPARTMENT OF TRANSPORTATION

U.S. ROUTE 20 (LAKE STREET)  
BREAK-AWAY WIDE FLANGE STEEL SIGN POST TABLES

SCALE: N.T.S. SHEET NO. 184 OF SHEETS STA. TO STA.

|                           |                      |               |                  |               |
|---------------------------|----------------------|---------------|------------------|---------------|
| F.A.U. RTE. 3537          | SECTION 4Y & 22-3R-2 | COUNTY DUPAGE | TOTAL SHEETS 284 | SHEET NO. 184 |
| CONTRACT NO. 62093        |                      |               |                  |               |
| ILLINOIS FED. AID PROJECT |                      |               |                  |               |

(Sheet 2 of 2)