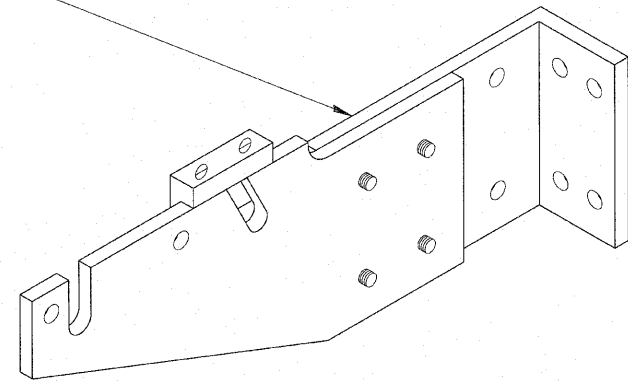
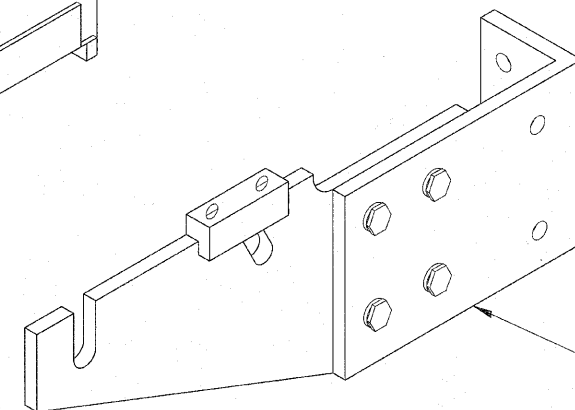
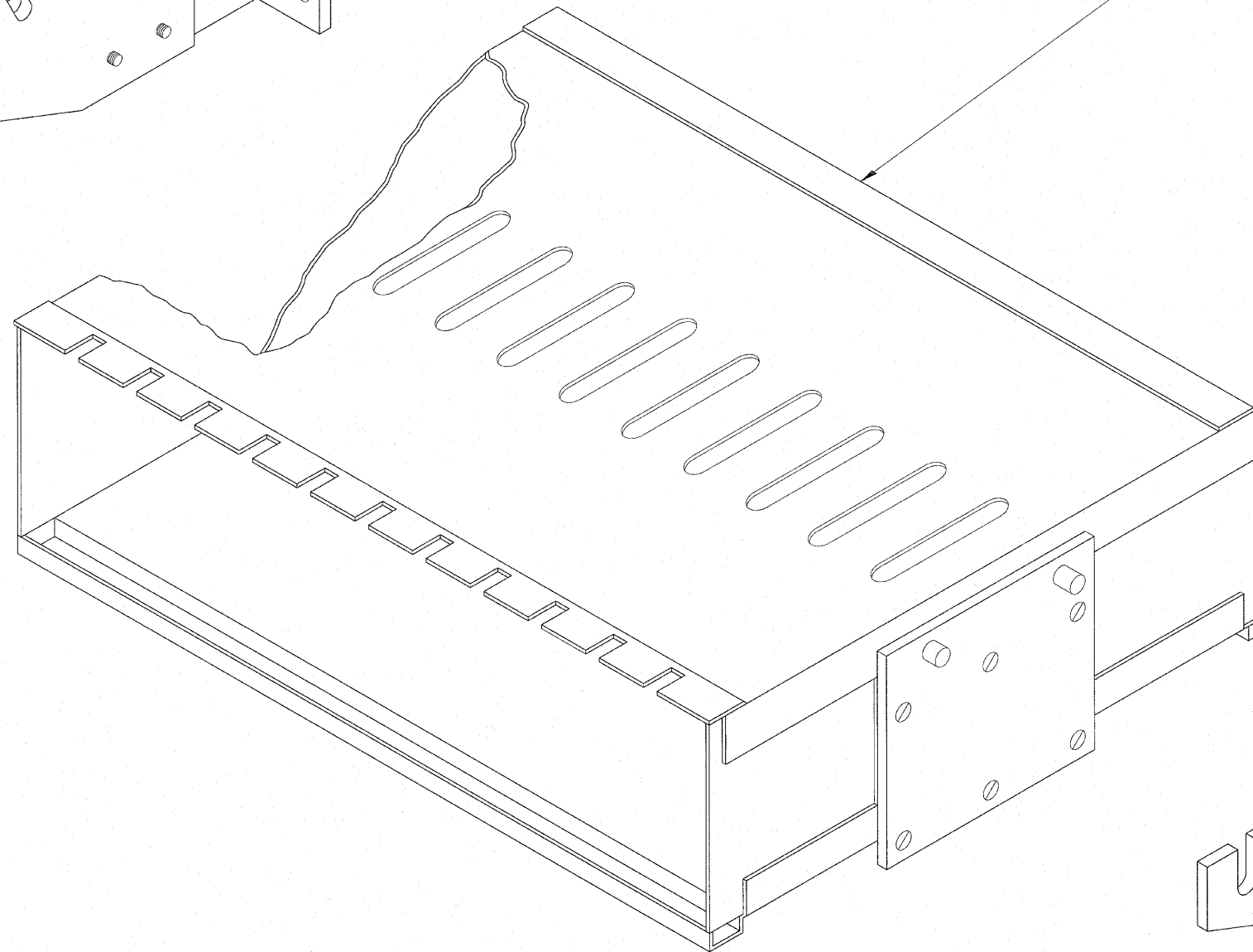


CRADLE



II MODULE MOUNTING FRAME  
(FOR II TYPE "A" PLUG-IN TYPE TONE MODULES)



CRADLE

**NOTE:**

TYPE "A" TONE MODULES ARE PLUG  
IN UNIT MEASURING 5-7/32" (132.55 mm) X 1.5" (38.1 mm) X 13-3/4" (349.25 mm)

FILE NAME = YORKTYP.dgn  
YORKTYP.dgn

USER NAME = IDOTlang

DESIGNED -	REVISED -
DRAWN - BLV	REVISED -
CHECKED - SRG	REVISED -
DATE - 1/18/10	REVISED -

**STATE OF ILLINOIS  
DEPARTMENT OF TRANSPORTATION**

**FIELD MOUNTING FRAME  
WITH CRADLE ASSEMBLY**

SCALE: N.T.S. SHEET NO. 198 OF SHEETS STA. TO STA.

F.A.U. RTE.	SECTION	COUNTY	TOTAL SHEETS	SHEET NO.
3537	(4Y & 22-3R-2	DUPAGE	284	198
FED. ROAD DIST. NO. ILLINOIS FED. AID PROJECT			CONTRACT NO. 62093	

TRAFFIC SYSTEMS CENTER (TY-1TSC-400#8)