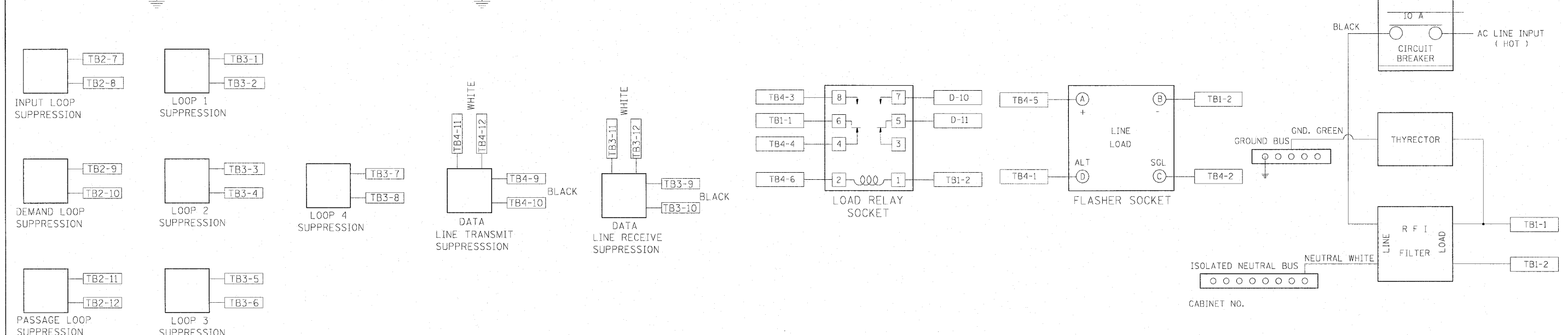
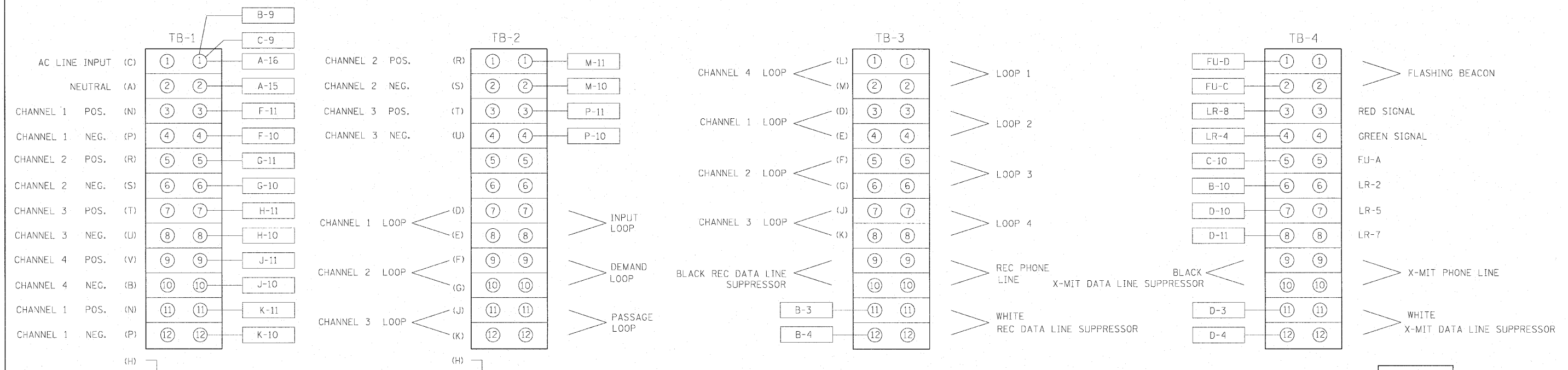
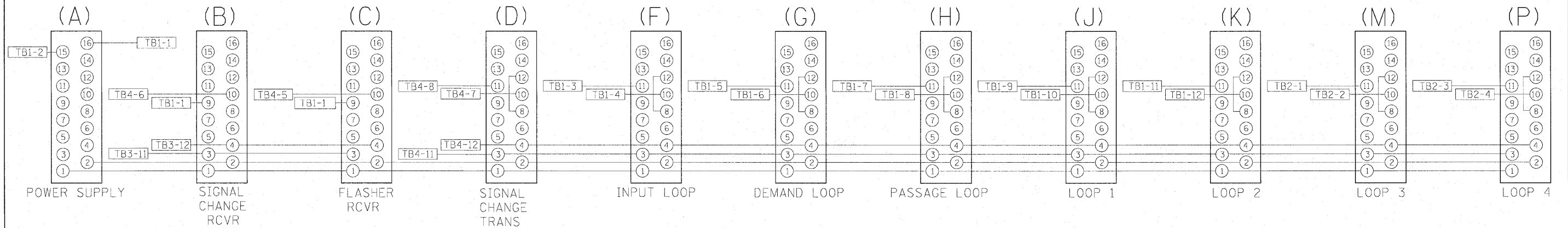


BACK VIEW OF TONE RACK



FILE NAME = YORRTP.dgn	USER NAME = IDDT(eng)	DESIGNED -	REVISED -	STATE OF ILLINOIS DEPARTMENT OF TRANSPORTATION	METERING CABINET WIRING DIAGRAM	F.A.U. RTE. 3537	SECTION (4Y & 22-3IR-2)	COUNTY	TOTAL SHEETS 284	SHEET NO. 200	
YORRTP.dgn	PLOT SCALE = 1"=12"	DRAWN - BLV	REVISED -			SCALE: N.T.S.	SHEET NO. 200 OF SHEETS STA.	FED. ROAD DIST. NO.	ILLINOIS FED. AID PROJECT	DUPAGE	CONTRACT NO. 62093
	PLOT DATE = 1/14/2010	CHECKED - SRC	REVISED -								
		DATE - 1/18/10	REVISED -								