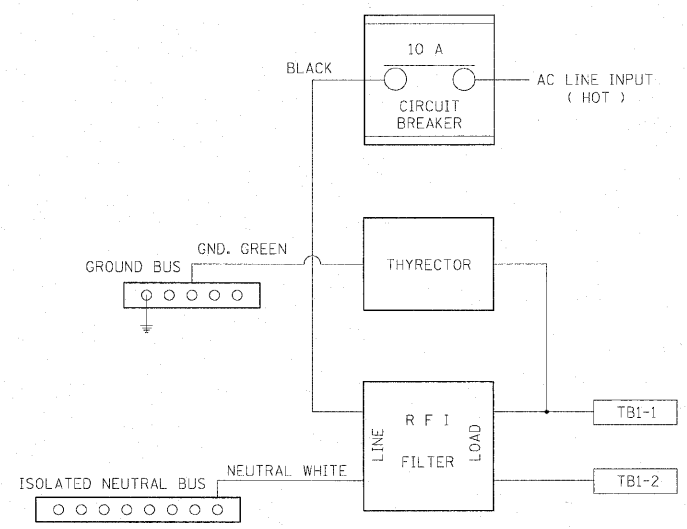
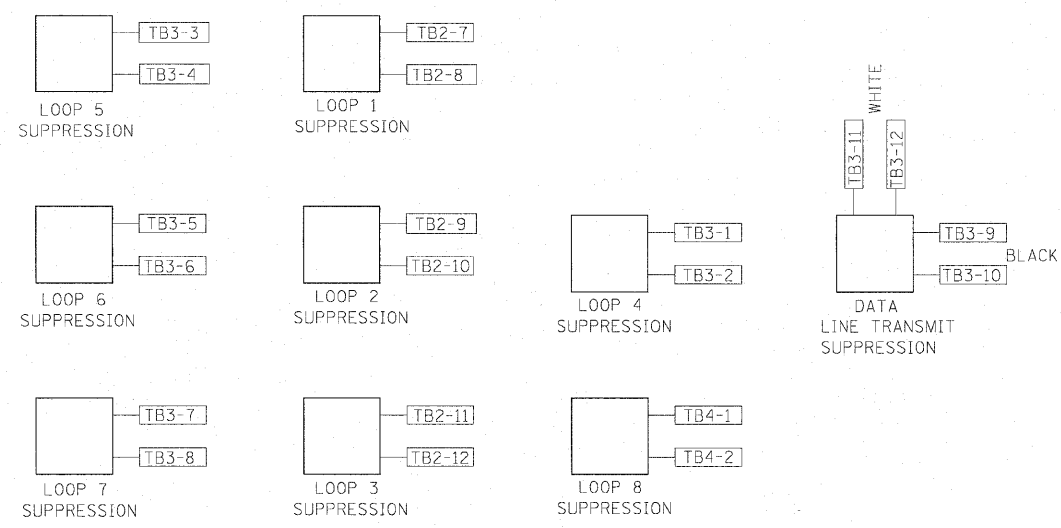
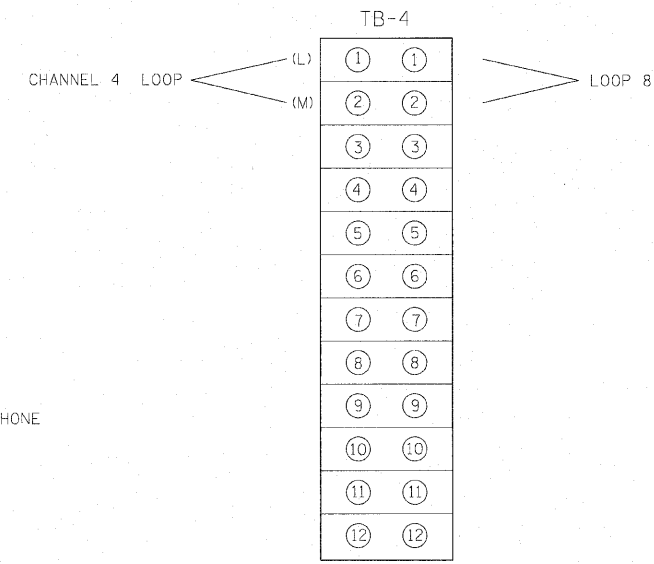
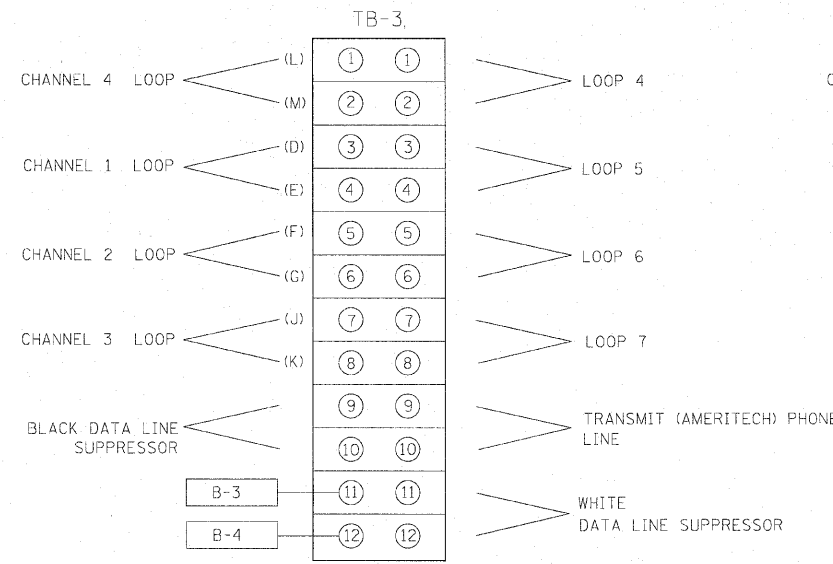
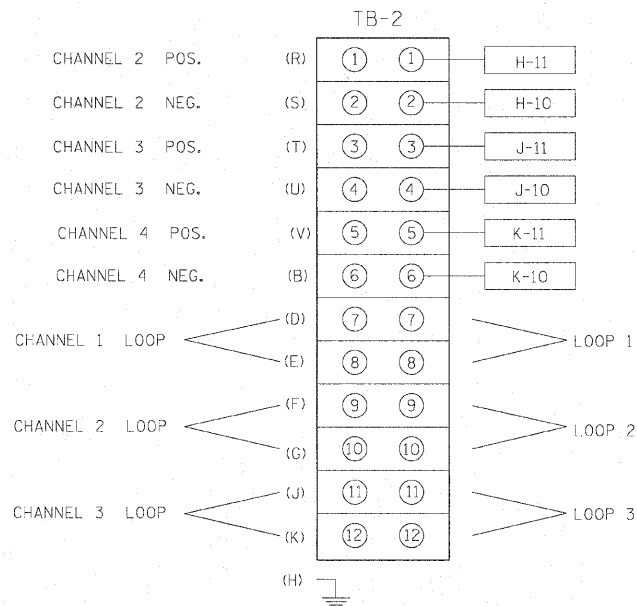
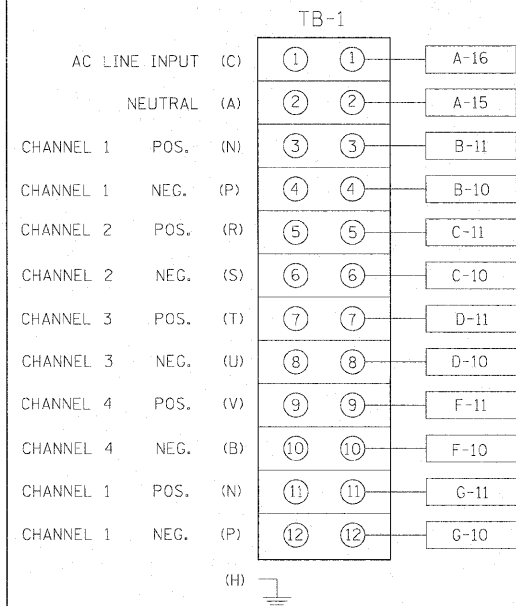
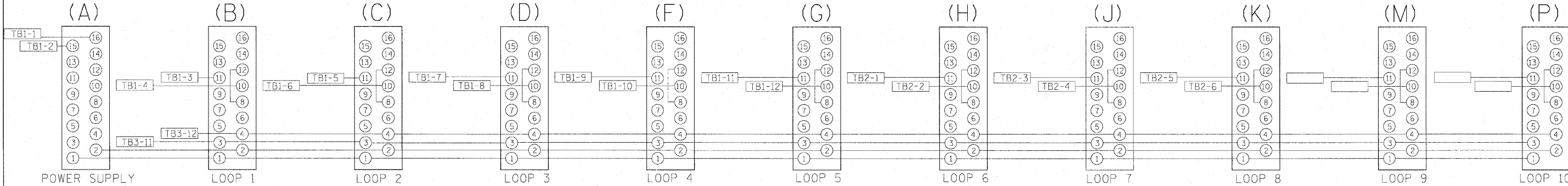


BACK VIEW OF TONE RACK



CABINET NO.

FILE NAME = YORRYP.dgn	USER NAME = IDDT(eng)	DESIGNED -	REVISED -	STATE OF ILLINOIS DEPARTMENT OF TRANSPORTATION	TYPE 3 CABINET WIRING DIAGRAM		F.A.U. RTE. 3537	SECTION (4Y & 22-3/R-2)	COUNTY DUPAGE	TOTAL SHEETS 284	SHEET NO. 202
YORRYP.dgn	PLOT SCALE = 1"=12"	DRAWN - BLV	REVISED -		SCALE: N.T.S.	SHEET NO. 202 OF	SHEETS STA.	CONTRACT NO. 62093		ILLINOIS FED. AID PROJECT	
	PLOT DATE = 1/14/2010	CHECKED - SRG	REVISED -								
		DATE - 1/18/10	REVISED -								

TRAFFIC SYSTEMS CENTER (TY-1TSC-400#8)