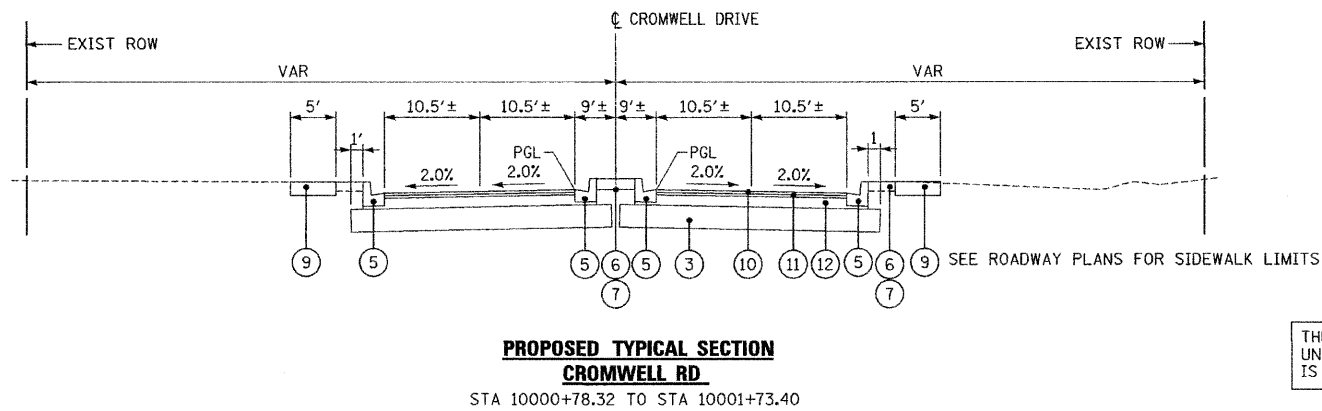
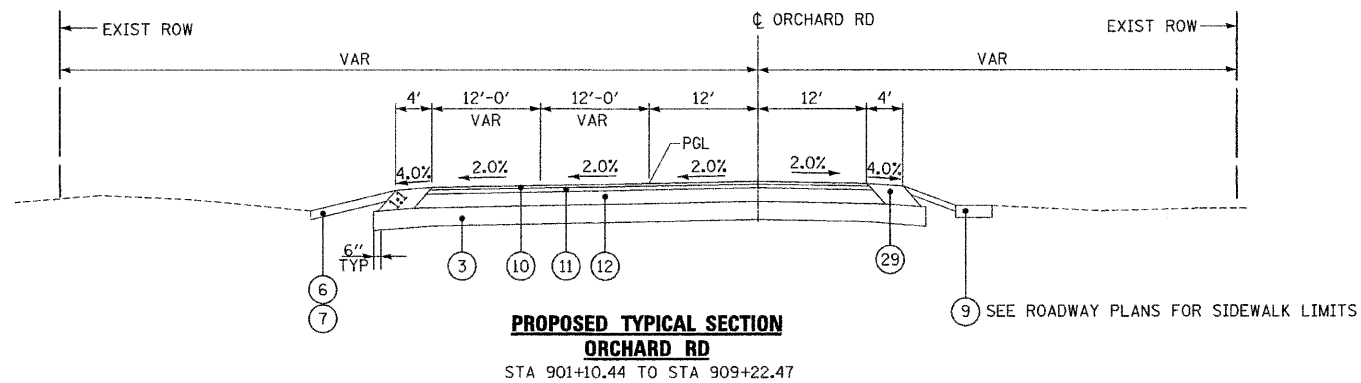
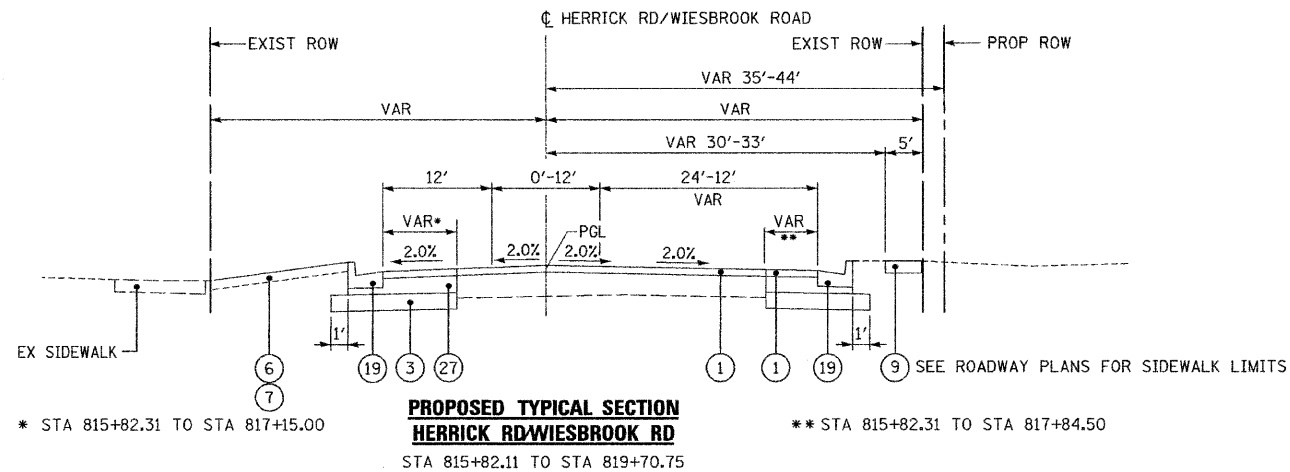


- LEGEND**
- ① POLYMERIZED HOT-MIX ASPHALT SURFACE COURSE, MIX "F", N90, 2"
  - ② POLYMERIZED HOT-MIX ASPHALT BINDER COURSE, IL-19, N90, 11"
  - ③ AGGREGATE SUBGRADE 12"
  - ④ AGGREGATE SHOULDER, TYPE B (2' WIDTH)
  - ⑤ COMBINATION CONCRETE CURB AND GUTTER, TYPE B-6.12
  - ⑥ TOPSOIL FURNISH AND PLACE (SEE LANDSCAPING PLANS FOR DEPTH)
  - ⑦ SEEDING, CLASS -- AND EROSION CONTROL BLANKET (SEE LANDSCAPING PLANS FOR CLASS)
  - ⑧ HOT-MIX ASPHALT SHOULDERS, 8" (MINIMUM 2 LIFTS)
  - ⑨ PORTLAND CEMENT CONCRETE SIDEWALK, 5"
  - ⑩ POLYMERIZED HOT-MIX ASPHALT SURFACE COURSE, STONE MATRIX ASPHALT, N80, 2"
  - ⑪ POLYMERIZED HOT-MIX ASPHALT BINDER COURSE, STONE MATRIX ASPHALT, N80, 2"
  - ⑫ POLYMERIZED HOT-MIX ASPHALT BINDER COURSE, IL 19.0, N90, 10"
  - ⑬ NOT USED
  - ⑭ CONCRETE GUTTER, TYPE A
  - ⑮ NOT USED
  - ⑯ CONCRETE MEDIAN, TYPE SB-6.12
  - ⑰ SODDING (SALT TOLERANT)
  - ⑱ COMBINATION CONCRETE CURB AND GUTTER, TYPE B-6.24
  - ⑲ COMBINATION CONCRETE CURB AND GUTTER, TYPE B-6.18
  - ⑳ HOT-MIX ASPHALT SURFACE COURSE, MIX "C", N50, 1 1/2"
  - ㉑ HOT-MIX BINDER COURSE, IL-19.0, N50, 3"
  - ㉒ AGGREGATE SUBGRADE 16"
  - ㉓ AGGREGATE BASE COURSE TYPE B, 6"
  - ㉔ GEOTECHNICAL FABRIC FOR GROUND STABILIZATION
  - ㉕ COMPACTED LIMESTONE SCREENINGS (FA, 5), 2"
  - ㉖ COMBINATION CONCRETE CURB AND GUTTER, TYPE M-2.12
  - ㉗ HOT-MIX ASPHALT BASE COURSE WIDENING 11"
  - ㉘ TOPSOIL EXCAVATION AND PLACEMENT (6")
  - ㉙ HOT-MIX ASPHALT SHOULDERS, 14"
  - ㉚ AGGREGATE BASE COURSE TYPE B



ITEMS ① & ② SHALL BE COMBINED AND PAID FOR AS HOT-MIX ASPHALT PAVEMENT (FULL DEPTH) 13" FOR HERRICK RD AND NAPERVILLE RD UNLESS OTHERWISE NOTED.

ITEM ① SHALL BE USED FOR BITUMINOUS RESURFACING ON WIESBROOK RD AND WILL BE PAID FOR AS POLYMERIZED HOT-MIX ASPHALT SURFACE COURSE, MIX "F", N90

ITEMS ⑲, ⑳ & ㉑ SHALL BE COMBINED AND PAID FOR AS AGGREGATE PATH 8"

HOT-MIX ASPHALT BINDER COURSE, IL-19, N90 PLACED UNDER COMBINATION CONCRETE CURB AND GUTTER AND CONCRETE MEDIAN IS INCLUDED IN THE COST OF THESE PAY ITEMS.

⑲ HOT-MIX ASPHALT SHOULDER, 14"

HMA SURF CRSE, MIX "D", N70  
 2"  
 2 1/4"  
 9 3/4"  
 HMA BINDER CRSE, IL-19.0, N70 (3 LIFTS)

THE ADDITIONAL THICKNESS OF AGGREGATE SUBGRADE 16" UNDER THE HOT-MIX ASPHALT SHOULDERS, 8" IS INCLUDED IN THE COST OF AGGREGATE SUBGRADE 16"

FILE NAME =	DESIGNED - JMM	REVISED - ADDENDUM 1/4/11
...ND162419_Pr_Typ_Crossroads_01.dgn	DRAWN - TMB	REVISED - ADDENDUM 1/10/11
USER NAME = tblank	CHECKED - RMT	REVISED -
PLOT DATE = 1/18/2011	DATE - 12/6/10	REVISED -

**benesch**

**STATE OF ILLINOIS  
 DEPARTMENT OF TRANSPORTATION**

<b>PROPOSED TYPICAL SECTIONS CROSSROADS</b>		F.A.P. RTE.	SECTION	COUNTY	TOTAL SHEETS	SHEET NO.
SCALE: N.T.S.		365	(57 & 58)WRS-2	DUPAGE	681	24
SHEET NO.11 OF 11 SHEETS		TO STA.		CONTRACT NO. 62419		
		ILLINOIS FED. AID PROJECT				