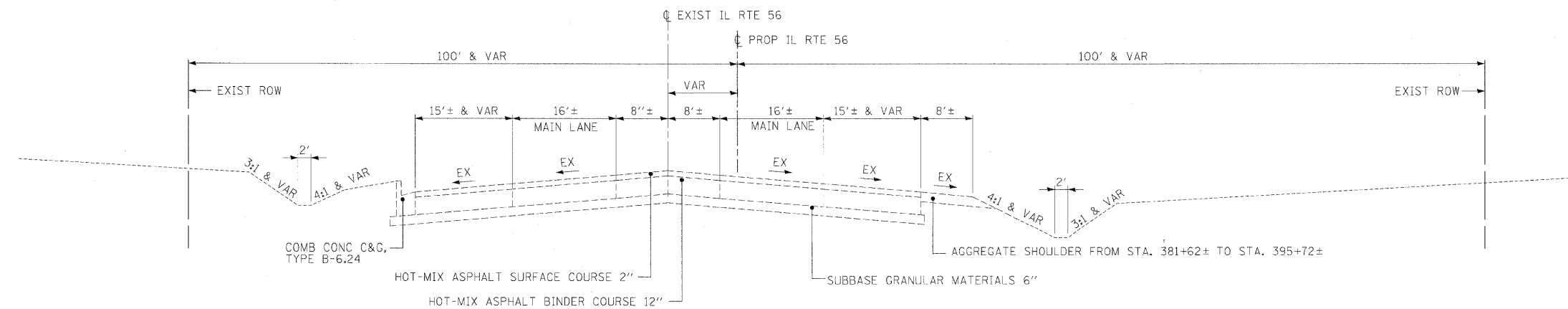


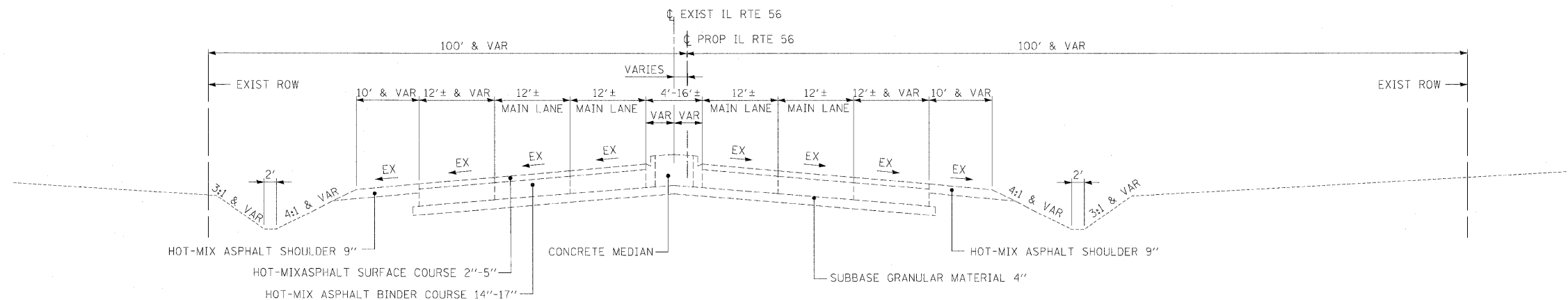
**EXISTING TYPICAL SECTION
IL RTE 56**

STA 363+00 TO STA 388+60



**EXISTING TYPICAL SECTION
IL RTE 56**

STA 388+60 TO STA 395+72



**EXISTING TYPICAL SECTION
IL RTE 56**

STA 395+72 TO STA 417+54.70

NOTE: PAVEMENT THICKNESS IS ESTIMATED BASED ON PAVEMENT CORES AT SPECIFIC LOCATIONS. THICKNESS MAY VARY.

FILE NAME =	DESIGNED - JMM	REVISED -
...:\0162419.Fx_Typ 1.56.02.dgn	DRAWN - TMB	REVISED -
USER NAME = tblank	CHECKED - RMT	REVISED -
PLDT DATE = 12/7/2010	DATE - 12/6/10	REVISED -

benesch

**STATE OF ILLINOIS
DEPARTMENT OF TRANSPORTATION**

**EXISTING TYPICAL SECTIONS
IL RTE 56**

F.A.P. RTE.	SECTION	COUNTY	TOTAL SHEETS	SHEET NO.
365	(57 & 58)WRS-2	DUPAGE	681	18
			CONTRACT NO. 62419	
ILLINOIS FED. AID PROJECT				

SCALE: N.T.S. SHEET NO. 2 OF 14 SHEETS STA. TO STA.