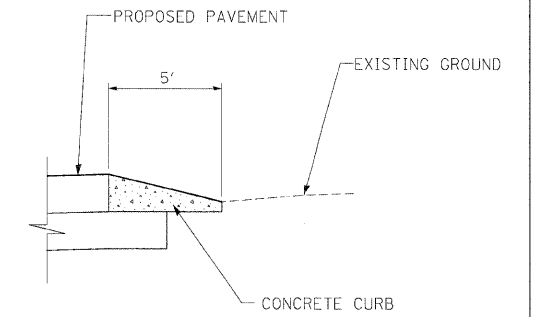
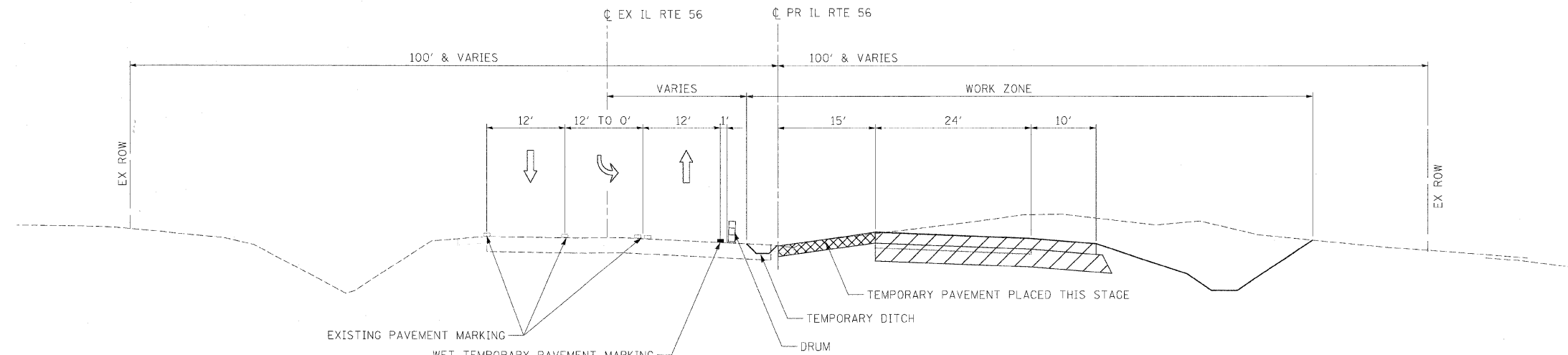


**STAGE 1
IL RTE 56**

STA. 255+00 TO STA. 277+52
 STA. 280+68 TO STA. 285+49
 STA. 289+13 TO STA. 304+25
 STA. 308+13 TO STA. 322+38
 STA. 325+73 TO STA. 338+50



DETAIL OF CURB HEIGHT TRANSITION



**STAGE 1
IL RTE 56**

STA. 285+49 TO STA. 289+13
 STA. 304+25 TO STA. 308+13
 STA. 322+38 TO STA. 325+73

FILE NAME =	DESIGNED - JMM	REVISED -
...\\D162419.MDT.Typ.II.56.01.dgn	DRAWN - TMR	REVISED -
USER NAME = tblank	CHECKED - RMT	REVISED -
PLOT DATE = 12/7/2010	DATE - 12/6/10	REVISED -

benesch

**STATE OF ILLINOIS
DEPARTMENT OF TRANSPORTATION**

**MAINTENANCE OF TRAFFIC
TYPICAL SECTIONS**

SCALE: N.T.S. SHEET NO. 7 OF 112 SHEETS STA. TO STA.

F.A.P. RTE.	SECTION	COUNTY	TOTAL SHEETS	SHEET NO.
365	(57 & 58)WRS-2	DUPAGE	681	99
				CONTRACT NO. 62419
ILLINOIS FED. AID PROJECT				