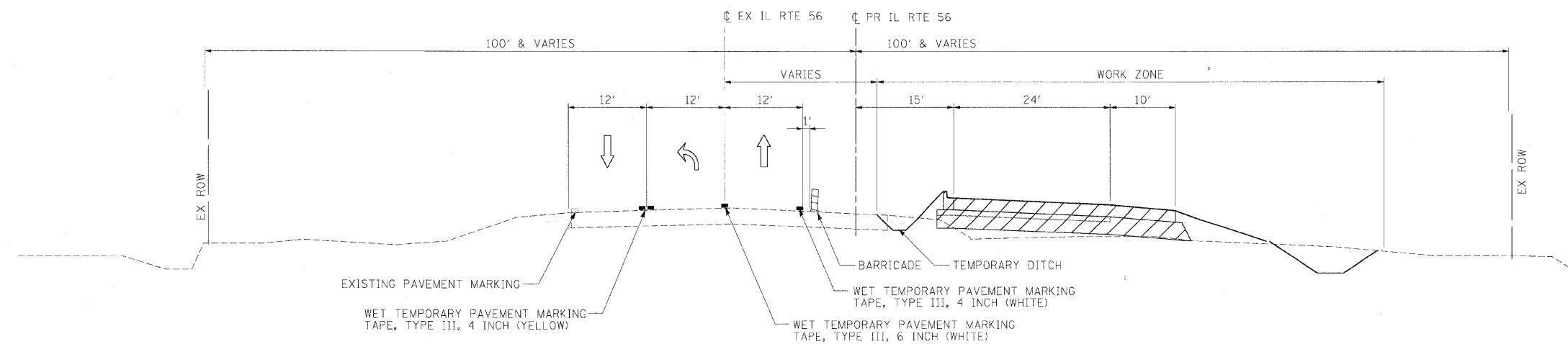


**STAGE 1
IL RTE 56**

STA. 277+52 TO STA. 280+68
 STA. 346+50 TO STA. 348+78
 STA. 370+17 TO STA. 373+19



**STAGE 1
IL RTE 56**

STA. 338+50 TO STA. 345+22
 STA. 349+26 TO STA. 370+17
 STA. 373+19 TO STA. 393+72

FILE NAME =	DESIGNED - JMM	REVISED -
...\\DL62419_MOT_Typ_IL56_02.dgn	DRAWN - TMB	REVISED -
USER NAME = tblank	CHECKED - RMT	REVISED -
PLOT DATE = 12/7/2010	DATE - 12/6/10	REVISED -

benesch

**STATE OF ILLINOIS
DEPARTMENT OF TRANSPORTATION**

**MAINTENANCE OF TRAFFIC
TYPICAL SECTIONS**

SCALE: N.T.S. SHEET NO. 8 OF 112 SHEETS STA. TO STA.

F.A.P. RTE.	SECTION	COUNTY	TOTAL SHEETS	SHEET NO.
365	(57 & 58)WRS-2	DUPAGE	681	100
			CONTRACT NO. 62419	
ILLINOIS FED. AID PROJECT				