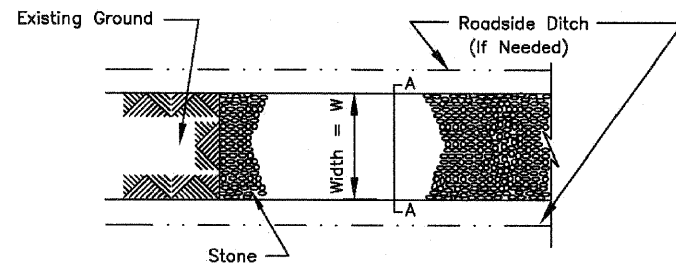
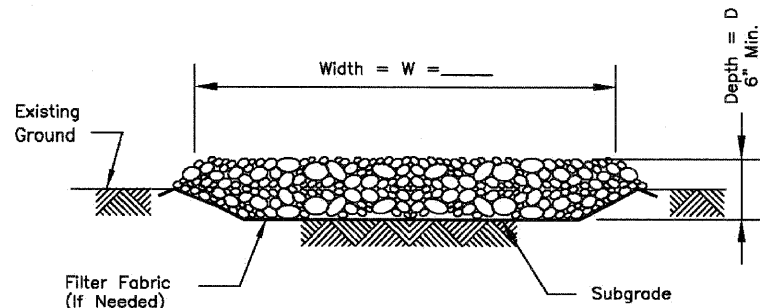


# CONSTRUCTION ROAD STABILIZATION



PLAN VIEW



SECTION A-A

- NOTES:
1. Filter fabric shall meet the requirements of material specification 592 GEOTEXTILE, Table 1 or 2, Class I, II or IV and shall be placed over the cleared area prior to the placing of rock.
  2. Stone shall meet one of the following IDOT coarse aggregate gradations, CA-1, CA-2, CA-3, or CA-4 and be placed according to construction specification 25 ROCKFILL using placement Method 1 and Class III compaction.
  3. See plans for construction road location, D and W dimensions.
  4. Minimum width is 14 feet for one-way traffic and 20 feet for two-way traffic. Two-way traffic widths shall be increased a minimum of 4 feet for trailer traffic. Depending on the type of vehicle or equipment, speed, loads, climatic and other conditions under which vehicles and equipment operate an increase in the minimum widths may be required.
  5. Roadway shall follow the contour of the natural terrain to the extent possible.

REFERENCE	Project	Date
DESIGNED	AAF	
CHECKED	TMB	
APPROVED	RMT	



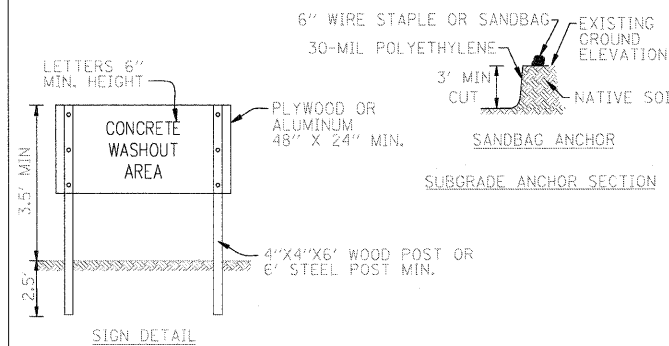
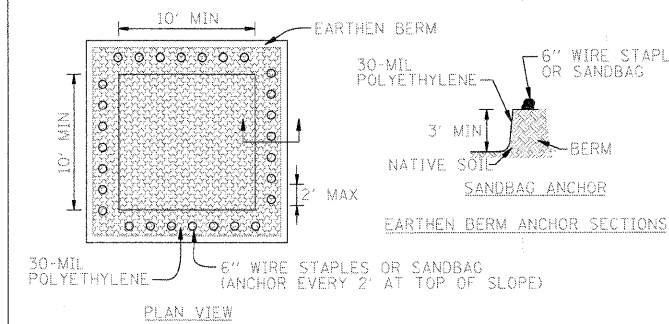
STANDARD DWG. NO.  
IL-506  
SHEET 1 OF 1  
DATE 1-29-99

**benesch**

**STATE OF ILLINOIS  
DEPARTMENT OF TRANSPORTATION**

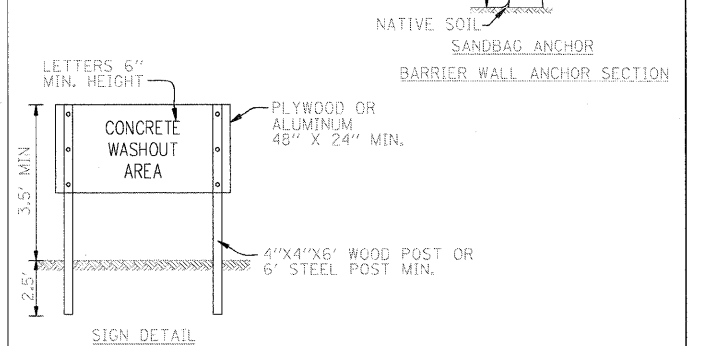
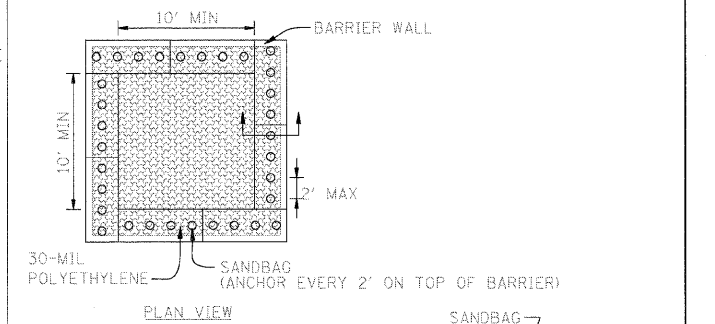
**EROSION CONTROL  
DETAILS**

F.A.P. RTE.	SECTION	COUNTY	TOTAL SHEETS	SHEET NO.
365	157 & 58WRS-2	DUPAGE	681	240
CONTRACT NO. 62419				
ILLINOIS FED. AID PROJECT				



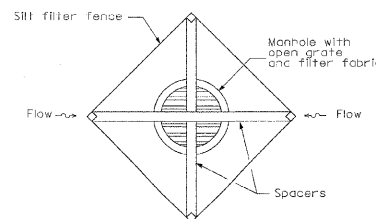
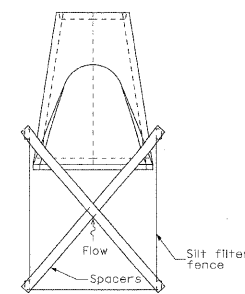
- NOTES:
1. MAINTAINING TEMPORARY CONCRETE WASHOUT FACILITIES SHALL INCLUDE REMOVING AND DISPOSING OF HARDENED CONCRETE AND/OR SLURRY AND RETURNING THE FACILITIES TO A FUNCTIONAL CONDITION.
  2. FACILITY SHALL BE CLEANED OR RECONSTRUCTED IN A NEW AREA ONCE WASHOUT BECOMES TWO-THIRDS FULL.

DESIGNED	DATE	APPROVED
DAVID L. GRIFFIN	5/28	

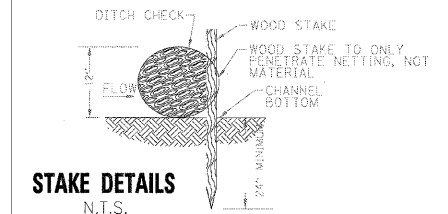
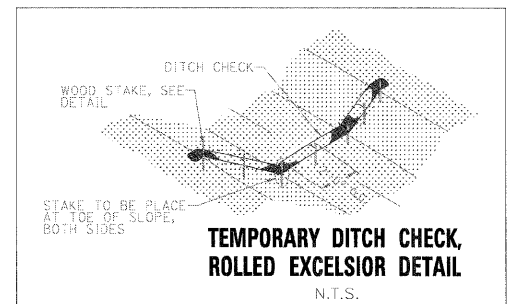


- NOTES:
1. MAINTAINING TEMPORARY CONCRETE WASHOUT FACILITIES SHALL INCLUDE REMOVING AND DISPOSING OF HARDENED CONCRETE AND/OR SLURRY AND RETURNING THE FACILITIES TO A FUNCTIONAL CONDITION.
  2. FACILITY SHALL BE CLEANED OR RECONSTRUCTED IN A NEW AREA ONCE WASHOUT BECOMES TWO-THIRDS FULL.

DESIGNED	DATE	APPROVED
DAVID L. GRIFFIN	5/28	



INLET AND PIPE PROTECTION DETAIL



STAKE DETAILS  
N.T.S.

FILE NAME =	DESIGNED -	REVISED -
...ND162419-shv-EC-37-DET_02.dgn	AAF	
USER NAME = tblank	DRAWN -	REVISED -
	TMB	
PLOT DATE = 12/7/2010	CHECKED -	REVISED -
	RMT	
	DATE - 12/6/10	REVISED -

SCALE: N.T.S. SHEET NO.36 OF 36 SHEETS STA. TO STA.