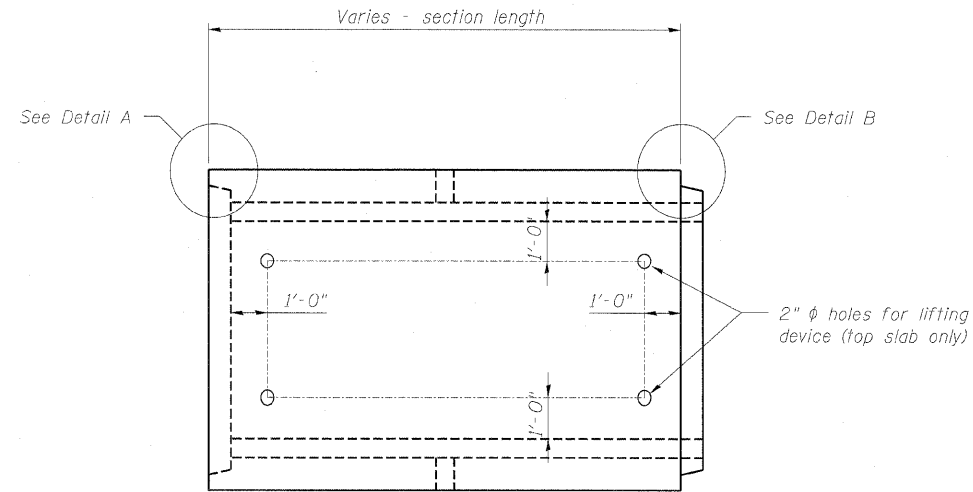
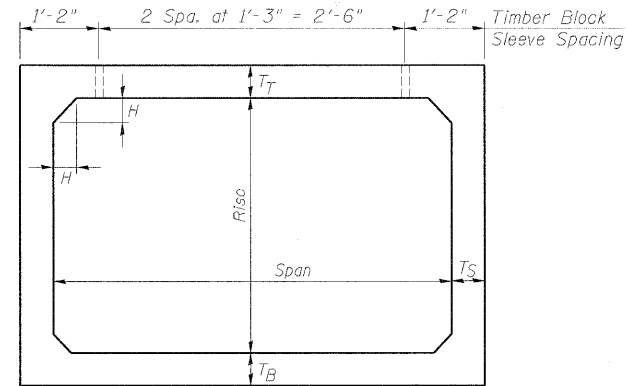


STATE OF ILLINOIS
DEPARTMENT OF TRANSPORTATION

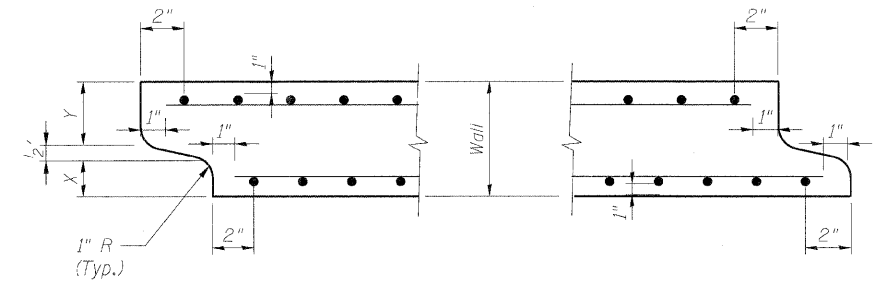


Note: Location of lifting holes may be varied as needed to clear reinforcement.



Note: The haunch dimension h, is equal to the wall thickness t_s.

TYPICAL BOX SECTION



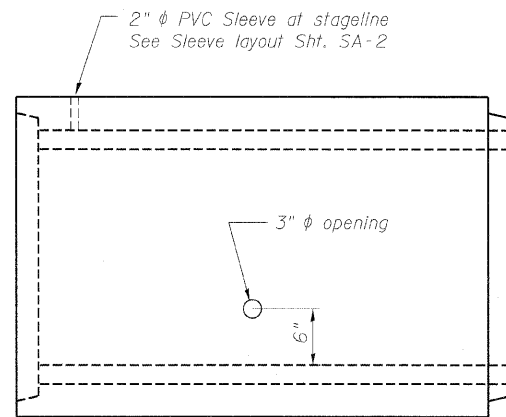
End detail is subject to variation by fabricator.

DETAIL A
(typ. inlet end)

DETAIL B
(typ. outlet end)

Note: Inlet and Outlet ends shall be compatible.

PLAN



ELEVATION

Span, Feet	T _T , inches		T _B , inches		T _S , inches	
	M 259	M 273	M 259	M 273	M 259	M 273
3	4	7	4	6	4	4
4	5	7½	5	6	5	5
5	6	8	6	7	6	6
6	7	8	7	7	7	7
7	8	8	8	8	8	8
8	8	8	8	8	8	8
9	9	9	9	9	9	9
10	10	10	10	10	10	10
11	11	11	11	11	11	11
12	12	12	12	12	12	12

TYPICAL THICKNESSES

GENERAL NOTES:

Minimum cover for box culverts shall be 6".

DESIGNED -	EFS
CHECKED -	RJT
DRAWN -	EFS
CHECKED -	RJT

benesch

alfred benesch & company
Engineers • Surveyors • Planners
205 North Michigan Avenue, Suite 2400
Chicago, Illinois 60601
312-565-0450 Job No. 3733

SHEET NO. SA-4 SA-7 SHEETS	F.A.P. RTE.	SECTION	COUNTY	TOTAL SHEETS	SHEET NO.
	365	(57 & 58)WRS-2	DUPAGE	681	389
			CONTRACT NO. 62419		
ILLINOIS FED. AID PROJECT					

PRECAST BOX SECTION
CULVERT #1