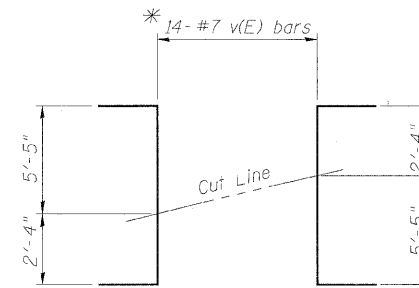
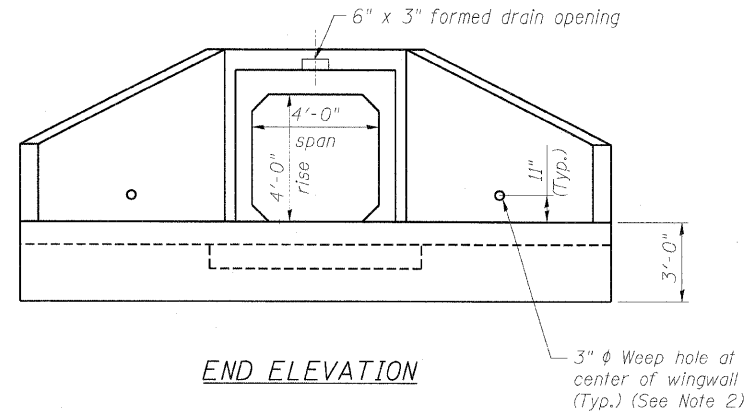
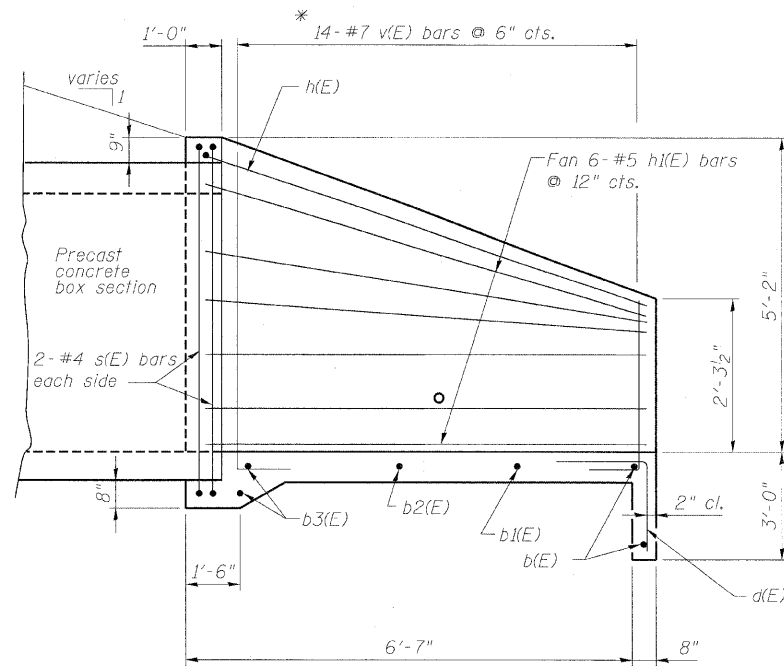
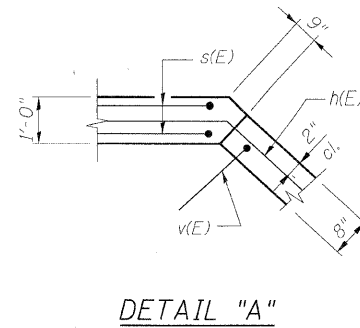
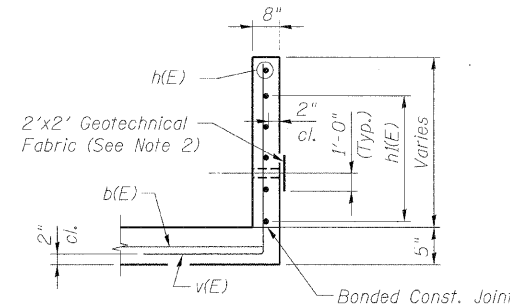
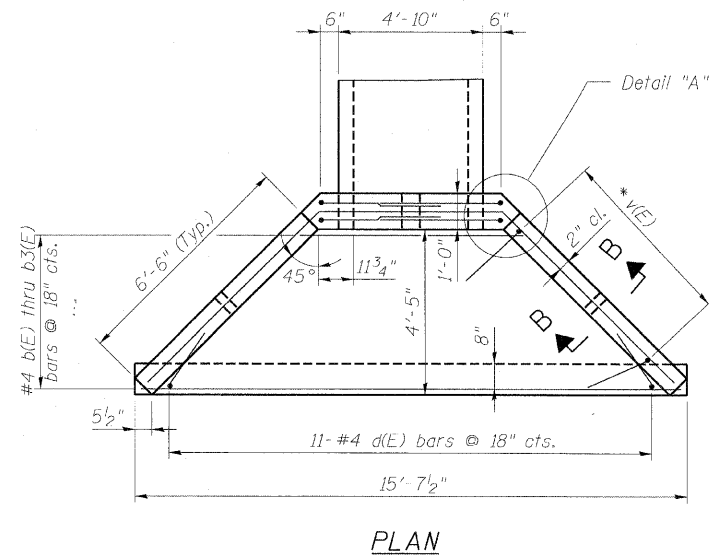


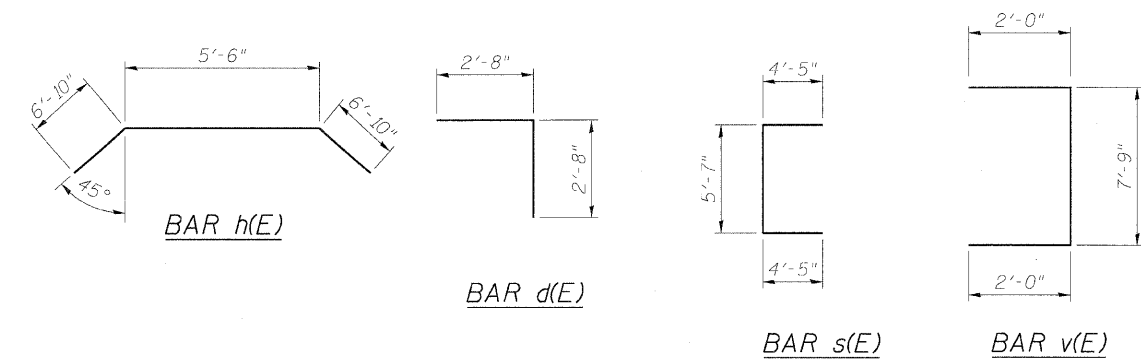
STATE OF ILLINOIS
DEPARTMENT OF TRANSPORTATION



* Order v(E) bars full length. Cut to fit as shown and use remainder of bars in other side of apron.



MIN. BAR LAP
#4 - 1'-8"
#5 - 2'-2"



NOTES:
1 All construction joints shall be bonded.
2. Cover 3" ϕ weep holes with geotechnical fabric for box culvert end section and precast box culvert.

BILL OF MATERIAL **

Bar	Size	No.	Length	Shape
b(E)	#5	4	14'-11"	—
b1(E)	#4	2	12'-8"	—
b2(E)	#4	2	9'-10"	—
b3(E)	#4	4	7'-0"	—
d(E)	#4	22	5'-4"	└┘
h(E)	#5	2	19'-2"	└┘
h1(E)	#5	24	7'-3"	—
s(E)	#4	8	14'-5"	└┘
v(E)	#7	28	11'-9"	└┘
Item			Unit	Total
Class SI Concrete			C.Y.	6.8
Reinforcement Bars, Epoxy Coated			Lbs.	1,170

** For two aprons. The quantities shown are for information only.

**CAST IN PLACE APRON DETAILS
CULVERT #1**

DESIGNED	EFs
CHECKED	RJT
DRAWN	EFs
CHECKED	RJT

benesch

alfred benesch & company
Engineers • Surveyors • Planners
205 North Michigan Avenue, Suite 2400
Chicago, Illinois 60601
312-665-0450 Job No. 3733

SHEET NO. SA-5 SA-7 SHEETS	F.A.P. RTE.	SECTION	COUNTY	TOTAL SHEETS	SHEET NO.
	365	(57 & 58)WRS-2	DUPAGE	681	390
			CONTRACT NO. 62419		
ILLINOIS FED. AID PROJECT					