

PROPOSED TYPICAL SUPERELEVATED SECTION WITH SHOULDER

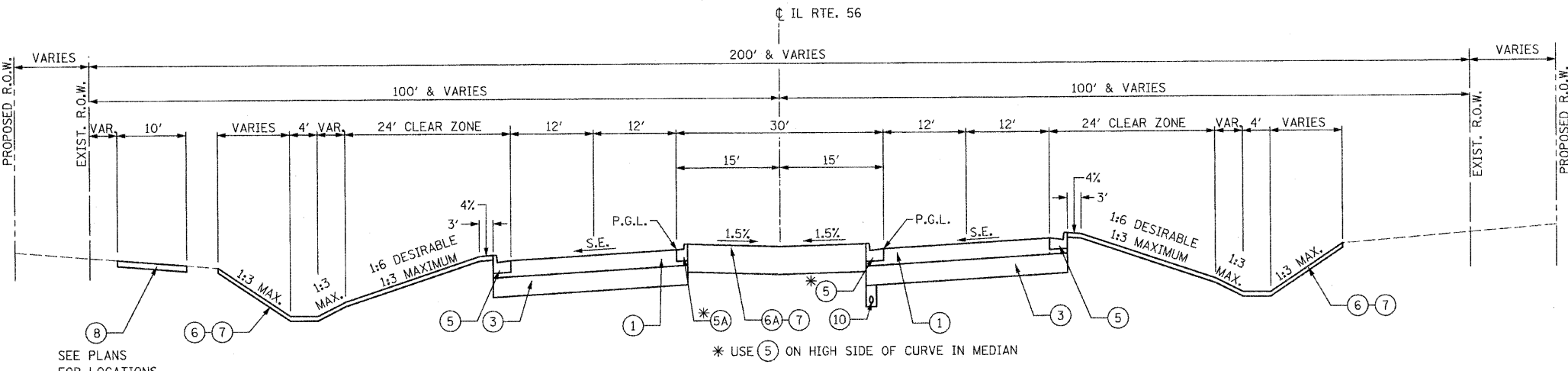
STA. 144+07.82 TO STA. 155+20 (CURVE LEFT) S.E. = 3.14%
 *** STA. 190+01.95 TO STA. 202+46.81 (CURVE LEFT) S.E. = 2.20%
 STA. 207+76.71 TO STA. 234+46.96 (CURVE RIGHT) S.E. = 3.02%

** STA. 144+07.82 TO STA. 150+50
 USE 6' WIDE DITCH

*** BRIDGE AND APPROACH SLAB OMISSION:
 STA. 191+17 TO STA. 193+42 LT.
 STA. 191+34 TO STA. 193+58 RT.

PROPOSED LEGEND

- ① HMA PAVEMENT (FULL DEPTH), 14"
 POLYMERIZED HMA SURFACE COURSE, STONE MATRIX ASPHALT, N80, 2"
 POLYMERIZED HMA BINDER COURSE, STONE MATRIX ASPHALT, N80, 2"
 POLYMERIZED HMA BINDER COURSE, IL-19.0, N90, 10"
- ② NOT USED
- ③ AGGREGATE SUBGRADE, 12"
- ④ HOT-MIX ASPHALT SHOULDERS, 14"
- ⑤ COMBINATION CONCRETE CURB & GUTTER, TYPE B-6.24
- ⑤A COMBINATION CONCRETE CURB & GUTTER, TYPE B-6.12
- ⑥ FURNISHING & PLACING TOPSOIL, 8"
- ⑥A FURNISHING & PLACING TOPSOIL, 24"
- ⑦ SEE LANDSCAPING PLANS FOR SEEDING AND SODDING LIMITS
- ⑧ HOT-MIX ASPHALT PATH, 10"
 HOT-MIX ASPHALT SURFACE COURSE, MIX "C", N50, 1 1/2"
 HOT-MIX ASPHALT BINDER COURSE, IL-19.0, N50, 2 1/2"
 AGGREGATE BASE COURSE, TYPE B, 6"
- ⑨ AGGREGATE SHOULDER, TYPE B, 8" (2' WIDTH)
- ⑩ PIPE UNDERDRAINS, 4"



PROPOSED TYPICAL SUPERELEVATED SECTION WITH CURB & GUTTER

STA. 155+20 TO STA. 161+00.48 (CURVE LEFT) S.E. = 3.14%

FILE NAME = D162428-sht-typical4.dgn
 PLOT DATE = 12/29/2010
 PLOT SCALE = 1/8" = 1' / IN.

CHRISTIAN-ROGE & ASSOCIATES, INC.
 ENGINEERS-PLANNERS-SURVEYORS
 211 WEST WACKER DRIVE
 CHICAGO, ILLINOIS 60606
 PHONE: (312)372-2023 FAX: (312)372-5274

DESIGNED - D.L.	REVISED/1 ADDENDUM 1 12-28-2010
DRAWN - B.K.	REVISED -
CHECKED - M.P.	REVISED -
DATE - DECEMBER 3, 2010	REVISED -

**STATE OF ILLINOIS
 DEPARTMENT OF TRANSPORTATION**

PROPOSED TYPICAL SECTIONS IL RTE. 56	
SCALE: NONE	SHEET NO. 3 OF 3 SHEETS
STA.	TO STA.

F.A.P. RTE. 365	SECTION (58&59) WRS-3	COUNTY DuPAGE	TOTAL SHEETS 466	SHEET NO. 20
FED. ROAD DIST. NO. 1 ILLINOIS FED. AID PROJECT			CONTRACT NO. 62420	