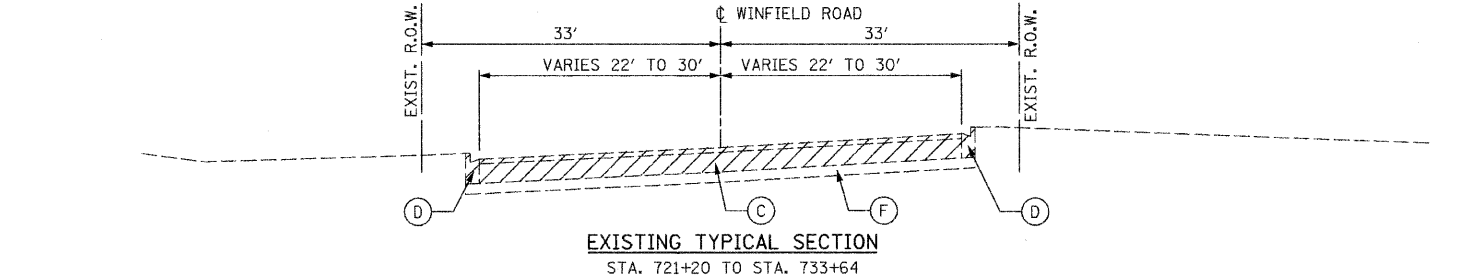
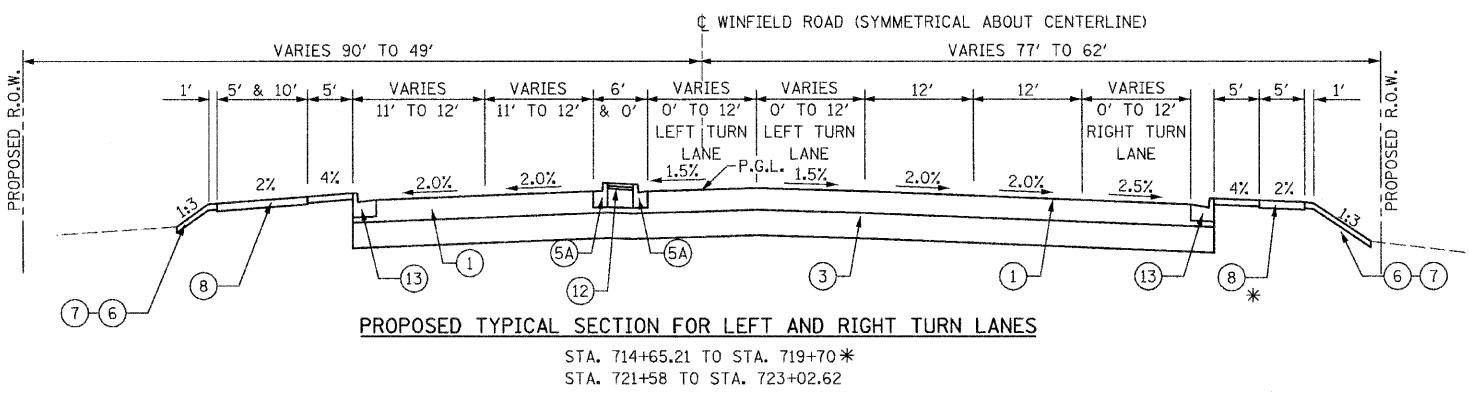


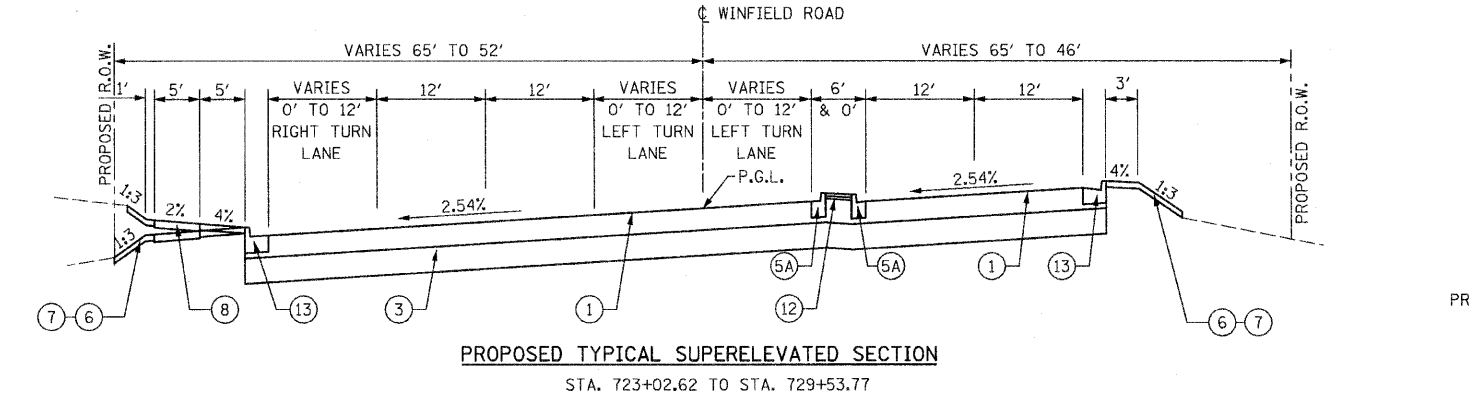
EXISTING TYPICAL SECTION
STA. 709+55 TO STA. 720+10



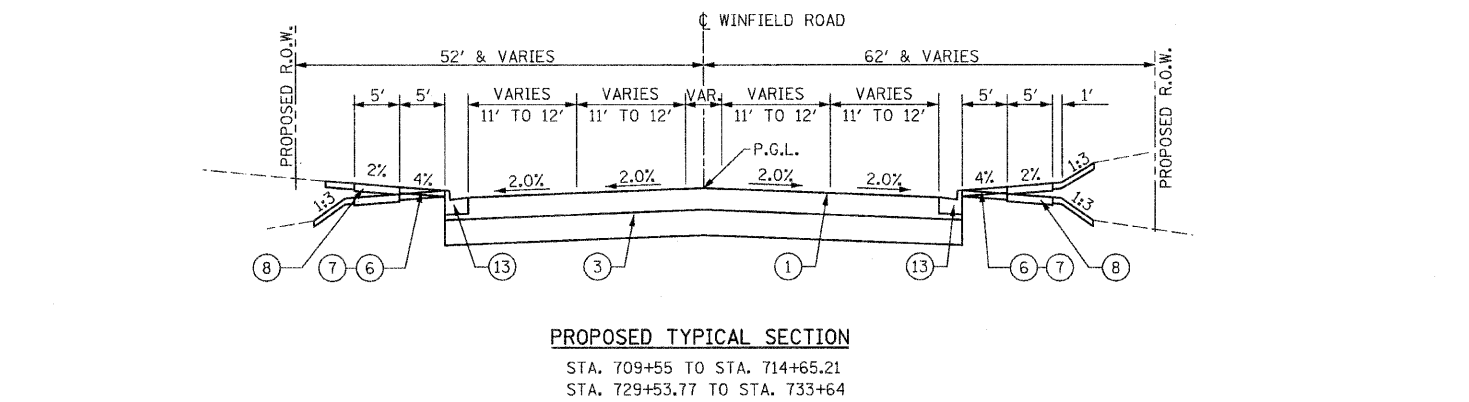
EXISTING TYPICAL SECTION
STA. 721+20 TO STA. 733+64



PROPOSED TYPICAL SECTION FOR LEFT AND RIGHT TURN LANES
STA. 714+65.21 TO STA. 719+70*
STA. 721+58 TO STA. 723+02.62



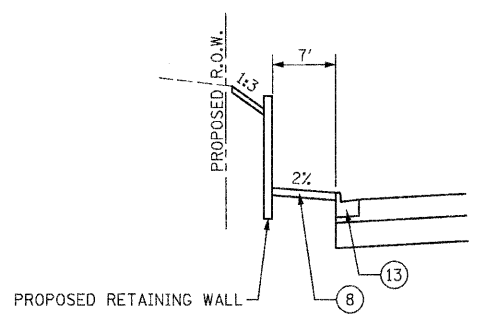
PROPOSED TYPICAL SUPERELEVATED SECTION
STA. 723+02.62 TO STA. 729+53.77



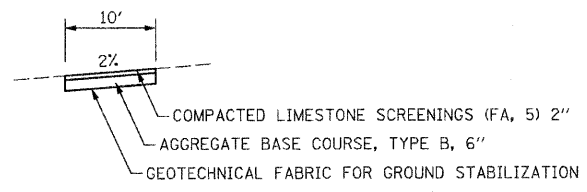
PROPOSED TYPICAL SECTION
STA. 709+55 TO STA. 714+65.21
STA. 729+53.77 TO STA. 733+64

- EXISTING LEGEND**
- (A) HOT-MIX ASPHALT SURFACE AND BINDER COURSE
 - (B) P.C.C. BASE COURSE
 - (C) HOT-MIX ASPHALT PAVEMENT, 15"±
 - (D) P.C.C. COMBINATION CURB AND GUTTER
 - (E) P.C.C. SIDEWALK
 - (F) SUB-BASE GRANULAR MATERIAL, 4" & VARIES
 - REMOVAL ITEMS

- PROPOSED LEGEND**
- (1) HMA PAVEMENT (FULL DEPTH), 14"
 - (2) POLYMERIZED HMA SURFACE COURSE, STONE MATRIX ASPHALT, N80, 2"
 - (3) POLYMERIZED HMA BINDER COURSE, STONE MATRIX ASPHALT, N80, 2"
 - (4) POLYMERIZED HMA BINDER COURSE, IL-19.0, N90, 10"
 - (2) NOT USED
 - (3) AGGREGATE SUBGRADE, 12"
 - (4) HOT-MIX ASPHALT SHOULDERS, 14"
 - (5) COMBINATION CONCRETE CURB & GUTTER, TYPE B-6.24
 - (5A) COMBINATION CONCRETE CURB & GUTTER, TYPE B-6.12
 - (6) FURNISHING & PLACING TOPSOIL, 8"
 - (6A) FURNISHING & PLACING TOPSOIL, 24"
 - (7) SEE LANDSCAPING PLANS FOR SEEDING AND SODDING LIMITS
 - (8) HOT-MIX ASPHALT PATH, 10"
HOT-MIX ASPHALT SURFACE COURSE, MIX "C", N50, 1 1/2"
HOT-MIX ASPHALT BINDER COURSE, IL-19.0, N50, 2 1/2"
AGGREGATE BASE COURSE, TYPE B, 6"
 - (9) AGGREGATE SHOULDER, TYPE B, 8" (2' WIDTH)
 - (10) PIPE UNDERDRAINS, 4"
 - (11) NOT USED
 - (12) HMA MEDIAN, 4"
 - (13) COMBINATION CONCRETE CURB & GUTTER, TYPE B-6.18



PROPOSED SECTION ALONG RETAINING WALL
STA. 722+50 TO STA. 724+60



AGGREGATE PATH, 8"