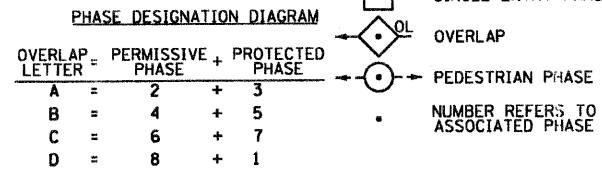
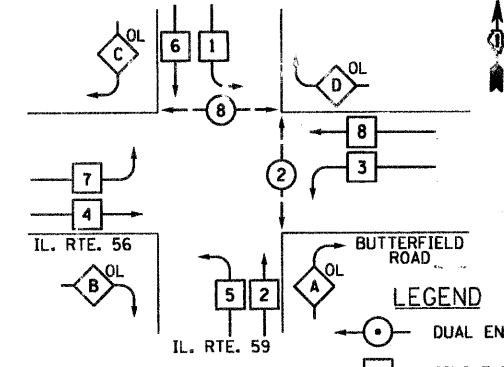
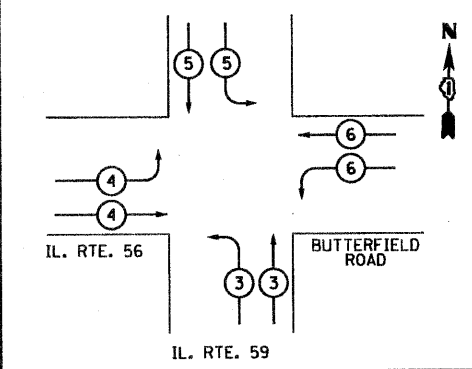


PROPOSED CONTROLLER SEQUENCE



PROPOSED EMERGENCY VEHICLE PREEMPTION SEQUENCE



PROPOSED EMERGENCY VEHICLE PREEMPTORS				
EMERGENCY VEHICLE PREEMPTOR	3	4	5	6
MOVEMENT	↶	↷	↵	↷

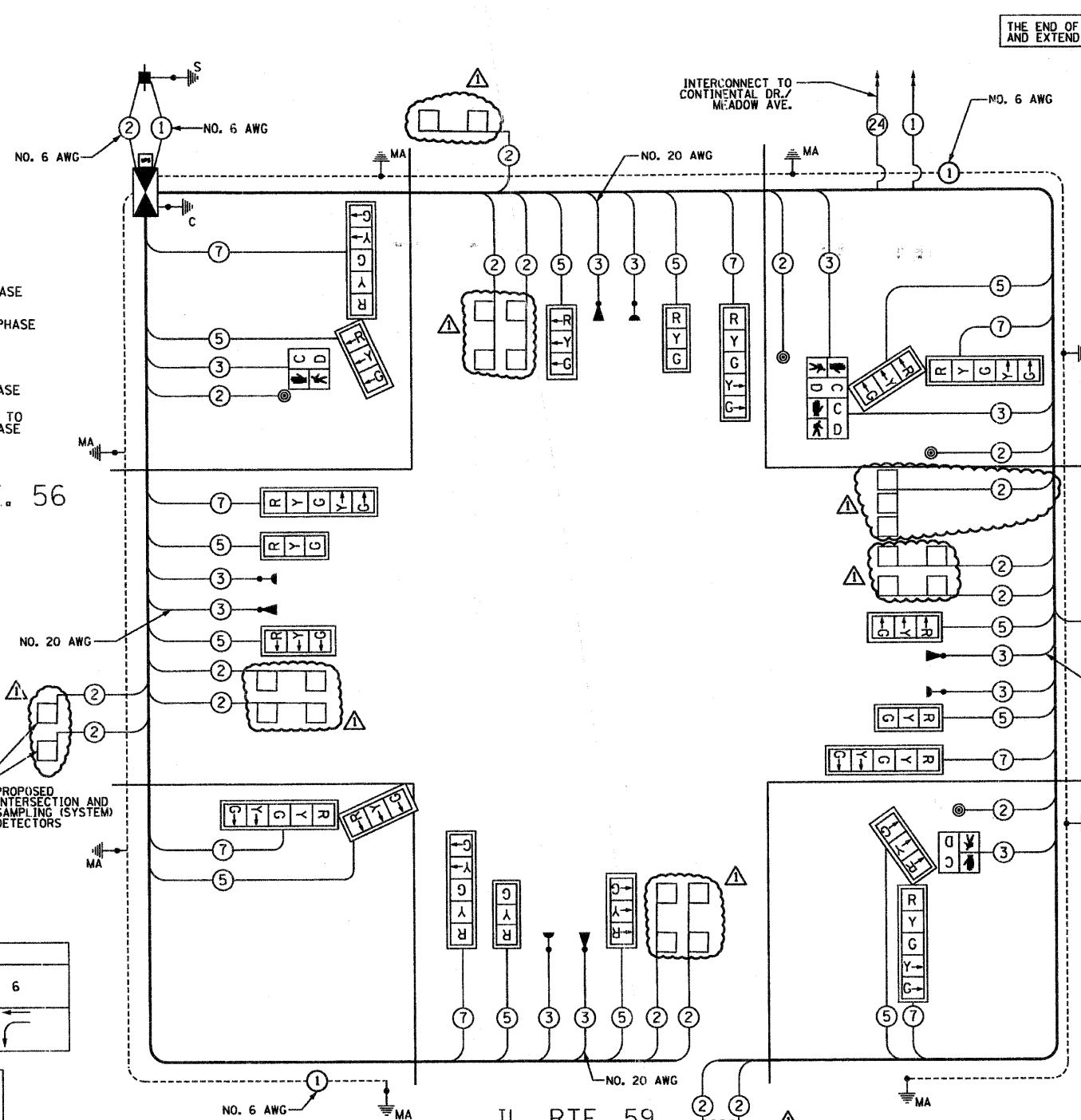
I.D.O.T. TRAFFIC SIGNAL INSTALLATION ELECTRICAL SERVICE REQUIREMENTS					TOTAL WATTAGE
TYPE	NO. OF LAMPS	INCANDESCENT	LED % OPERATION		
SIGNAL (RED)	20	135	17	0.50	170
(YELLOW)	20	135	25	0.25	125
(GREEN)	20	135	15	0.25	75
ARROW	16	135	12	0.10	19.2
PED. SIGNAL	4	90	25	1.00	100
CONTROLLER	1	100	100	1.00	100
ILLUM. SIGN		252		0.05	
FLASHER				0.50	
ENERGY COSTS TO:					TOTAL = 589.2

ILLINOIS DEPARTMENT OF TRANSPORTATION
DIVISION OF HIGHWAYS / DISTRICT 1
201 WEST CENTER COURT / SCHAUMBURG, IL 60196-1096

ENERGY SUPPLY CONTACT: MS. MIKKI WILLIAMS
PHONE: (630) 691-4721
COMPANY: COMED

FILE NAME = TS-14.dgn
PLOT DATE = 12/28/2010
DESIGNED - R.A.S.
DRAWN - D.L.
CHECKED - A.D.O.
DATE - AUGUST 2010

SPAAN Tech, Inc.
311 S. Wacker Drive, Suite 2400
Chicago, IL 60606



IL. RTE. 59

CABLE PLAN

THE END OF THE TRACER CABLE SHALL BE CONTINUOUS AND EXTEND INTO THE CONTROLLER CABINET.

SCHEDULE OF QUANTITIES

ITEM	UNIT	QUANTITY
SIGN PANEL - TYPE 1	SQ FT	55
SIGN PANEL - TYPE 2	SQ FT	30
CONDUIT IN TRENCH, 2" DIA., GALVANIZED STEEL	FOOT	1063
CONDUIT IN TRENCH, 2 1/2" DIA., GALVANIZED STEEL	FOOT	134
CONDUIT IN TRENCH, 3" DIA., GALVANIZED STEEL	FOOT	18
CONDUIT IN TRENCH, 4" DIA., GALVANIZED STEEL	FOOT	106
CONDUIT PUSHED, 2" DIA., GALVANIZED STEEL	FOOT	274
CONDUIT PUSHED, 4" DIA., GALVANIZED STEEL	FOOT	560
HANDHOLE	EACH	4
HEAVY-DUTY HANDHOLE	EACH	6
DOUBLE HANDHOLE	EACH	2
TRENCH AND BACKFILL FOR ELECTRICAL WORK	FOOT	1255
FULL-ACTUATED CONTROLLER AND TYPE IV CABINET, SPECIAL	EACH	1
TRANSCEIVER - FIBER OPTIC	EACH	1
ELECTRIC CABLE IN CONDUIT, SIGNAL NO. 14 2C	FOOT	859
ELECTRIC CABLE IN CONDUIT, SIGNAL NO. 14 3C	FOOT	2037
ELECTRIC CABLE IN CONDUIT, SIGNAL NO. 14 5C	FOOT	3241
ELECTRIC CABLE IN CONDUIT, SIGNAL NO. 14 7C	FOOT	2035
ELECTRIC CABLE IN CONDUIT, LEAD-IN, NO. 14 1 PAIR	FOOT	4953
ELECTRIC CABLE IN CONDUIT, SERVICE, NO. 6 2C	FOOT	42
STEEL MAST ARM ASSEMBLY AND POLE, 16 FT.	EACH	3
STEEL MAST ARM ASSEMBLY AND POLE, 26 FT.	EACH	1
STEEL COMBINATION MAST ARM ASSEMBLY AND POLE 48 FT. (SPECIAL)	EACH	1
STEEL COMBINATION MAST ARM ASSEMBLY AND POLE 54 FT. (SPECIAL)	EACH	2
STEEL COMBINATION MAST ARM ASSEMBLY AND POLE 55 FT. (SPECIAL)	EACH	1
CONCRETE FOUNDATION, TYPE C	FOOT	4
CONCRETE FOUNDATION, TYPE E 30-INCH DIAMETER	FOOT	40
CONCRETE FOUNDATION, TYPE E 36-INCH DIAMETER	FOOT	58
SIGNAL HEAD, LED, 1-FACE, 3-SECTION, MAST-ARM MOUNTED	EACH	12
SIGNAL HEAD, LED, 1-FACE, 5-SECTION, MAST-ARM MOUNTED	EACH	8
PEDESTRIAN SIGNAL HEAD, LED, 1-FACE, BRACKET MOUNTED WITH COUNTDOWN TIMER	EACH	2
PEDESTRIAN SIGNAL HEAD, LED, 2-FACE, BRACKET MOUNTED WITH COUNTDOWN TIMER	EACH	1
TRAFFIC SIGNAL BACKPLATE, LOUVERED, ALUMINUM	EACH	20
INDUCTIVE LOOP DETECTOR	EACH	15
DETECTOR LOOP, TYPE 1	EACH	987
LIGHT DETECTOR	EACH	4
LIGHT DETECTOR AMPLIFIER	EACH	1
PEDESTRIAN PUSH-BUTTON	EACH	4
TEMPORARY TRAFFIC SIGNAL INSTALLATION	EACH	1
REMOVE EXISTING TRAFFIC SIGNAL EQUIPMENT	EACH	1
REMOVE EXISTING HANDHOLE	EACH	12
REMOVE EXISTING CONCRETE FOUNDATION	EACH	9
TEMPORARY TRAFFIC SIGNAL TIMINGS	EACH	1
SERVICE INSTALLATION, POLE MOUNT	EACH	1
UNINTERRUPTIBLE POWER SUPPLY	EACH	1
ELECTRIC CABLE IN CONDUIT, GROUNDING NO. 6 1C	FOOT	903
ELECTRIC CABLE IN CONDUIT, NO. 20 3/C, TWISTED, SHIELDED	FOOT	1144

* DENOTES 100% OF COST TO CITY OF WARRENVILLE

NOTE: THE TRAFFIC SIGNAL CONTROL EQUIPMENT FOR THIS INTERSECTION SHALL BE "EAGLE" BRAND TO MATCH THE EXISTING SYSTEM.

STATE OF ILLINOIS
DEPARTMENT OF TRANSPORTATION

SCHEDULE OF QUANTITIES, CABLE PLAN, AND PHASE DESIGNATION DIAGRAM
IL ROUTE 56 (BUTTERFIELD ROAD) AND IL ROUTE 59

REVISED 12-20-10	TS-13			
F.A.P. RTE. 365	SECTION (58&59) WRS-3	COUNTY DU PAGE	TOTAL SHEETS 466	SHEET NO. 296
FED. ROAD DIST. NO. 1 ILLINOIS			CONTRACT NO. 62420	

SCALE: NONE SHEET NO. OF SHEETS STA. TO STA.