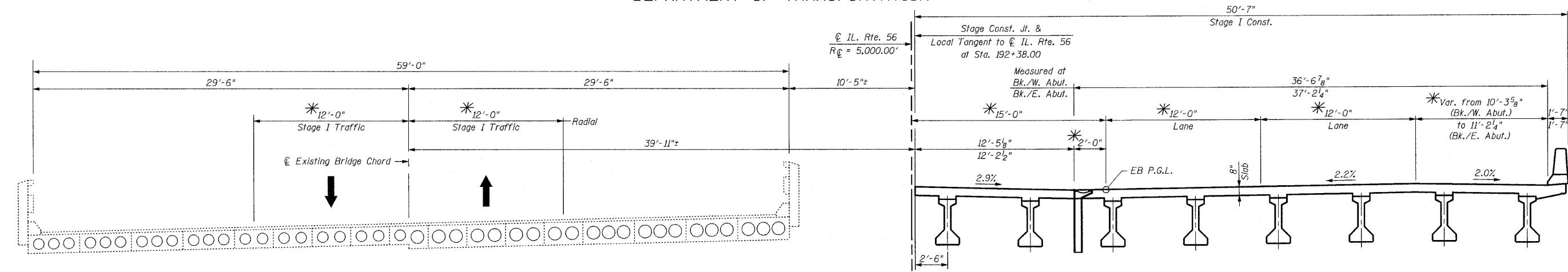
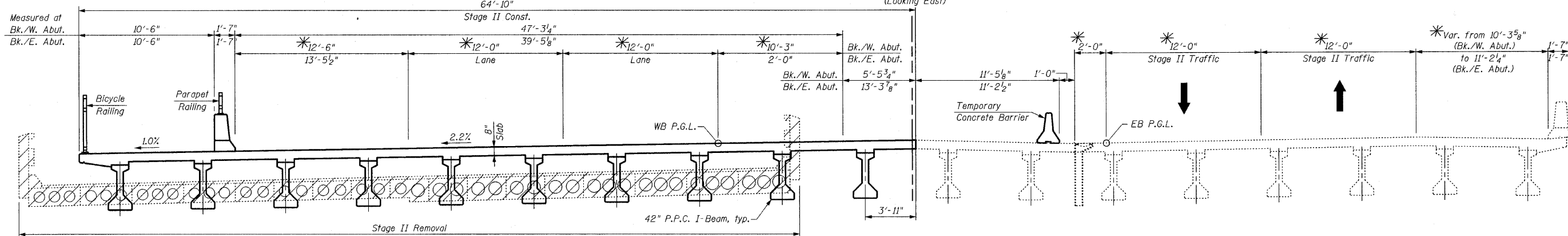


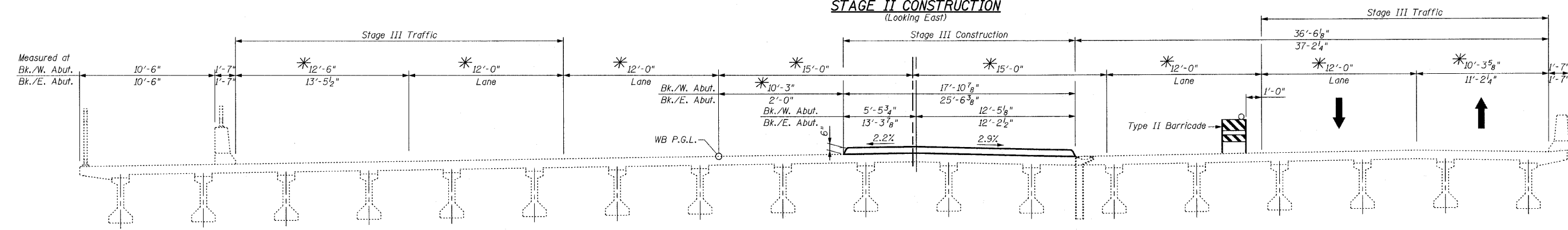
STATE OF ILLINOIS
DEPARTMENT OF TRANSPORTATION



STAGE I CONSTRUCTION
(Looking East)



STAGE II CONSTRUCTION
(Looking East)



STAGE III CONSTRUCTION

DECK CROSS SECTION
(Looking East)

* Measured radially to CL IL. Rte 56

NOTE:
See Roadway Plans for quantity of Temporary Concrete Barrier & Type II Barricade

NOTE:
Concrete Median shall be poured after the Superstructure forms at Stage II Construction have been removed

STAGE CONSTRUCTION DETAILS
IL. ROUTE 56 OVER
WEST BRANCH DUPAGE RIVER
E.A.P. RTE. 365
SECTION (58&59) WRS-3
DuPAGE COUNTY
STA. 192+38.00
STRUCTURE NO. 022-2027

DESIGNED	-
CHECKED	-
DRAWN	-
CHECKED	-

CR & A
CHRISTIAN-ROGE & ASSOCIATES, INC.
ENGINEERS-PLANNERS-SURVEYORS
211 WEST WACKER DRIVE
CHICAGO, ILLINOIS 60606
PHONE: (312)372-2023 FAX: (312)372-5274

SHEET NO. S3 S43 SHEETS	F.A. RTE.	SECTION	COUNTY	TOTAL SHEETS	SHEET NO.
	365	(58&59) WRS-3	DUPAGE	466	209
CONTRACT NO. 62420				ILLINOIS FED. AID PROJECT	