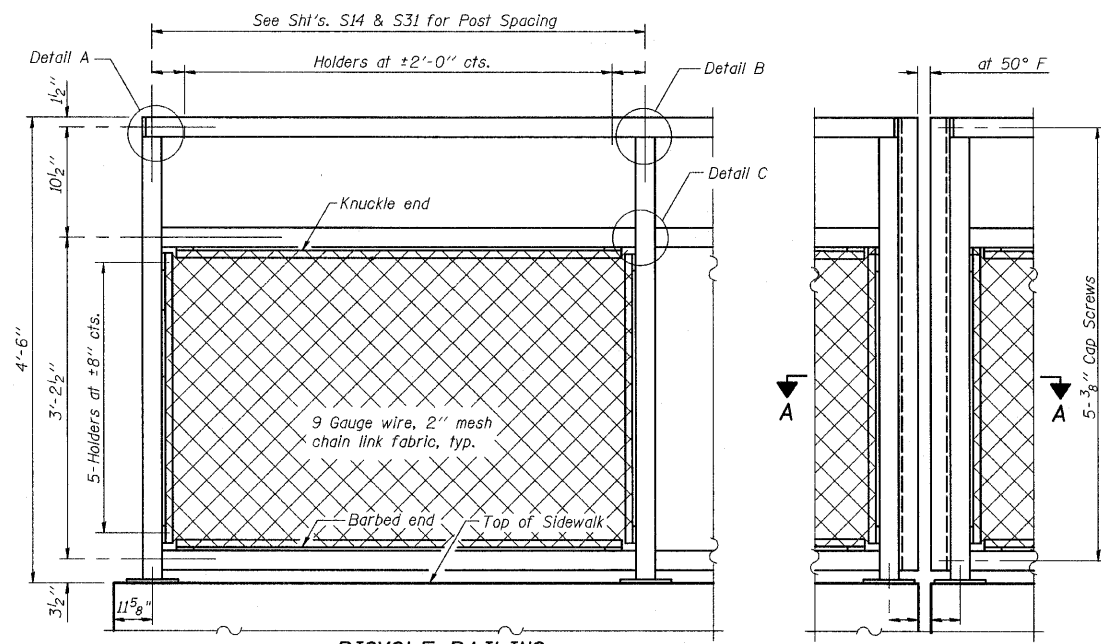
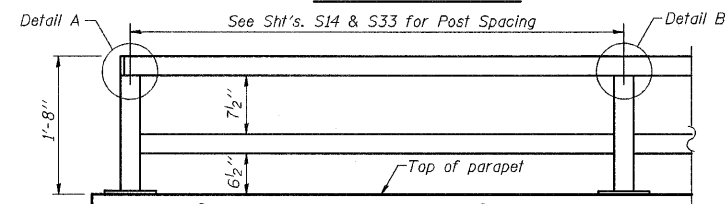


STATE OF ILLINOIS
DEPARTMENT OF TRANSPORTATION



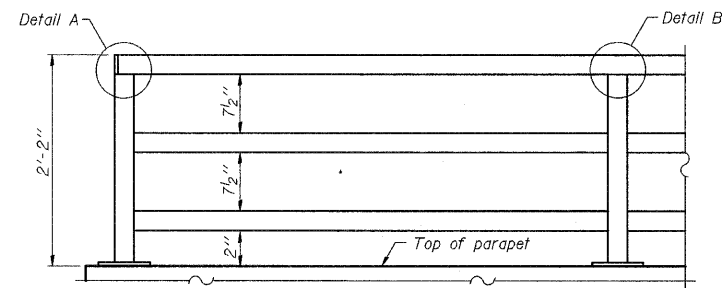
BICYCLE RAILING

BICYCLE RAILING

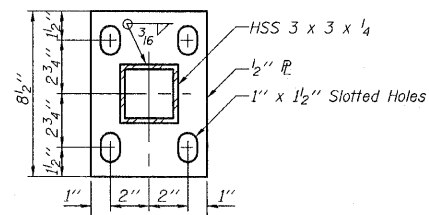


**PARAPET RAILING
ELEVATION**

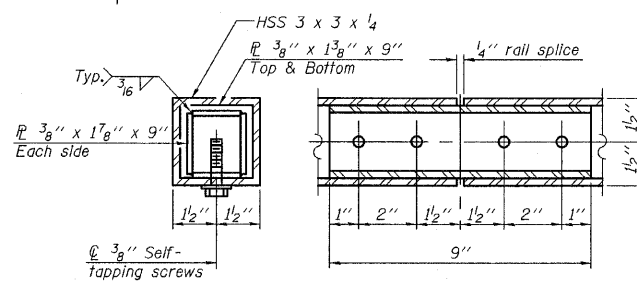
**PARAPET RAILING
ELEVATION AT EXPANSION JOINT**
(Two Element Rail Shown - Three Element Rail Similar)



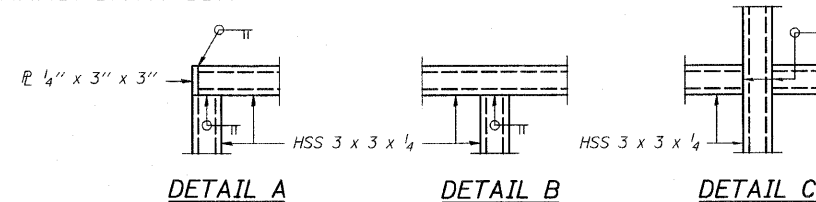
**PARAPET RAILING
ELEVATION**
(Inside Face of Three Element Rail)



BASE PLATE



RAIL SPLICE

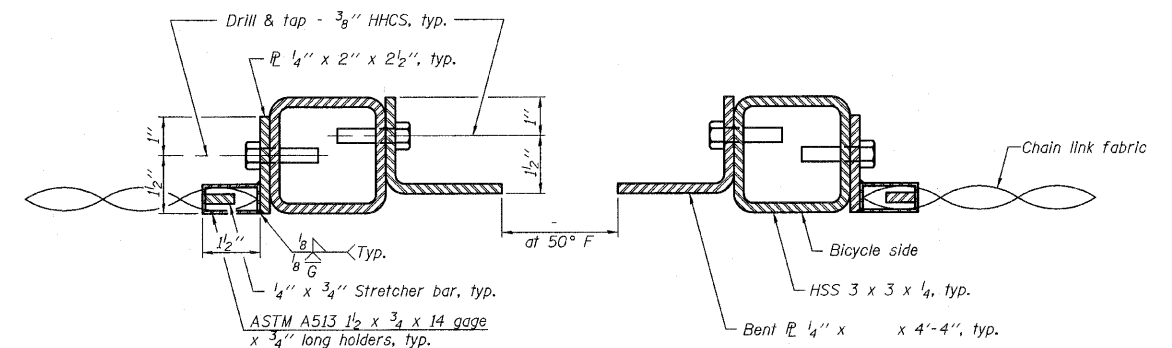


DETAIL A

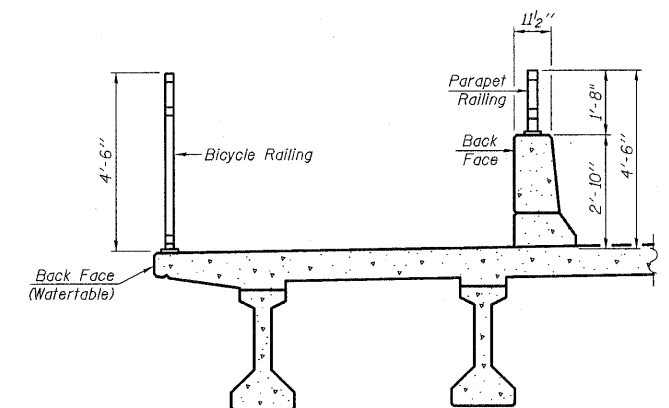
DETAIL B

DETAIL C

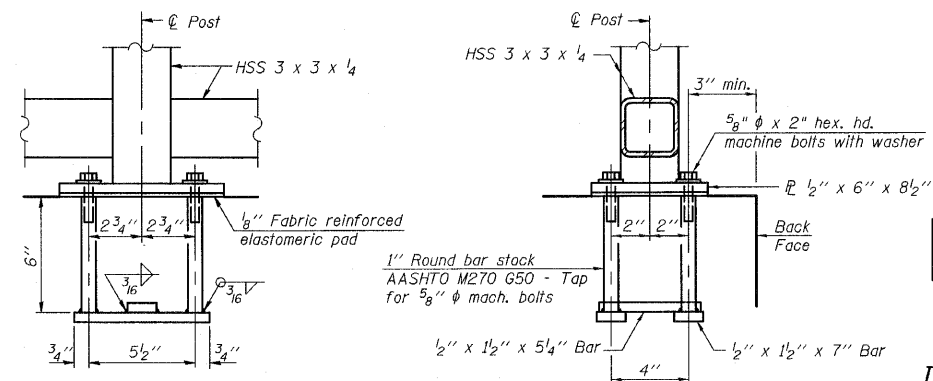
NOTE:
All steel rail elements shall be galvanized according to Article 509.05 of the Standard Specifications



SECTION A-A



SECTION THRU DECK



ANCHOR BOLT DETAILS

In lieu of the cast-in-place anchor device shown, the Contractor has the option of drilling and setting 5/8" φ anchor rods according to Article 509.06 of the Standard Specifications. Embedment shall be according to the manufacturer's specifications.

BILL OF MATERIAL

Item	Unit	Quantity
Bicycle Railing	Foot	225
Parapet Railing	Foot	225

**BICYCLE RAILING
IL. ROUTE 56 OVER
WEST BRANCH DuPAGE RIVER
F.A.P. RTE. 365
SECTION (58&59) WRS-3
DuPAGE COUNTY
STA. 192+38.00
STRUCTURE NO. 022-2027**

DESIGNED -
CHECKED -
DRAWN -
CHECKED -

R-29 11-1-09

(10'-0" Maximum Post Spacing)

CR CHRISTIAN-ROGE & ASSOCIATES, INC.
ENGINEERS-PLANNERS-SURVEYORS
211 WEST WACKER DRIVE
CHICAGO, ILLINOIS 60606
PHONE: (312)372-2023 FAX: (312)372-5274

SHEET NO. S18	F.A. RTE. 365	SECTION (58&59) WRS-3	COUNTY DUPAGE	TOTAL SHEETS 466	SHEET NO. 224
S43 SHEETS	CONTRACT NO. 62420		ILLINOIS FED. AID PROJECT		