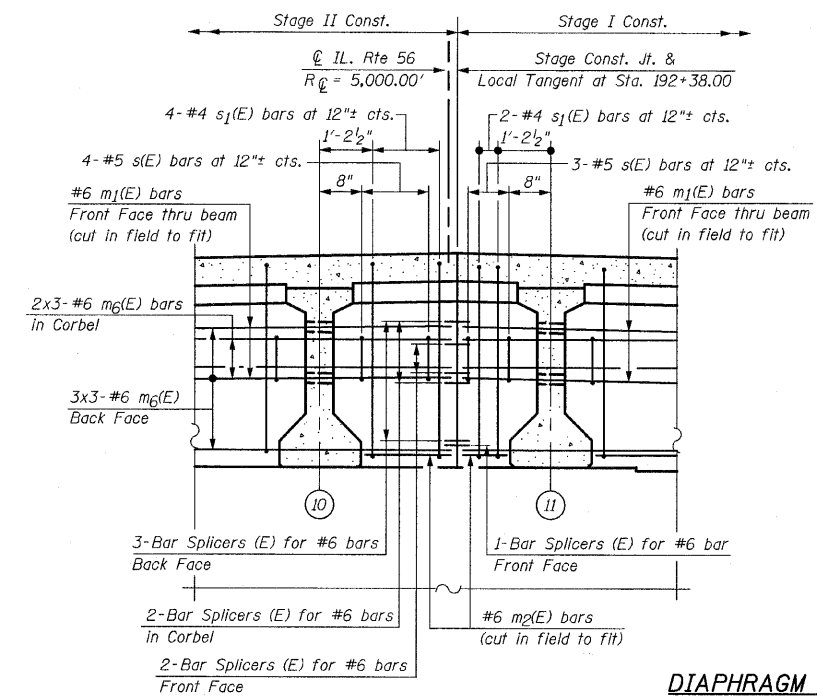
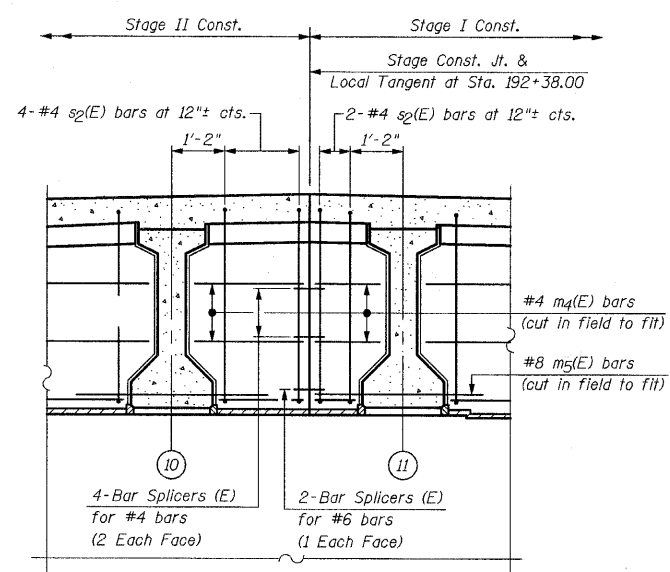


STATE OF ILLINOIS
DEPARTMENT OF TRANSPORTATION



DIAPHRAGM ELEVATION AT EAST ABUTMENT
(West Abutment opposite hand)

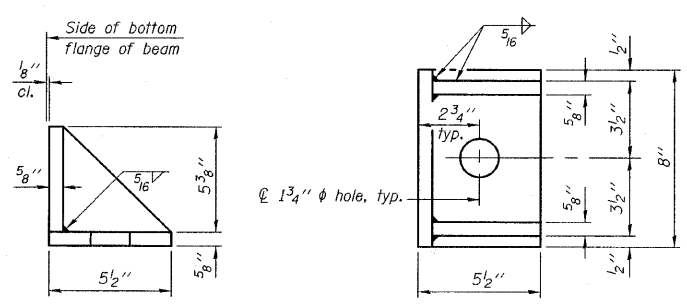


DIAPHRAGM AT PIER
(Fixed)
(Looking East)

MIN. BAR LAP
#6 bar = 3'-4"

**DIAPHRAGM ELEVATIONS
AT ABUTMENTS & PIER-I
IL. ROUTE 56 OVER
WEST BRANCH DuPAGE RIVER
F.A.P. RTE. 365
SECTION (58&59) WRS-3
DuPAGE COUNTY
STA. 192+38.00
STRUCTURE NO. 022-2027**

Notes:
Reinforcement bars in diaphragm are billed with superstructure on Sht. S17.
Concrete in diaphragm is included with Concrete Superstructure on Sht. S17.
For details of bars s(E), s1(E) and s2(E) see Sht. S17.
The s(E), s1(E) and s2(E) bars shall be placed parallel to the beams. Spacing for these bars shall be at right angles to the beams.
See Sht. S22 for Sections A-A and B-B.
Cast of 30 Lb. roofing felt is included with Concrete Superstructure.
The side retainer shall be galvanized after shop fabrication according to AASHTO M III.
Anchor bolt assemblies shall be galvanized according to Article 1006.09 of the Standard Specifications.
Anchor bolts shall be ASTM F1554 all-thread (or an Engineer-approved alternate material) of the grade(s) and diameter(s) specified. ASTM A307 Grade C anchor bolts may be used in lieu of ASTM F1554 Grade 36 (Fy=36ksi).
The corresponding specified grade of AASHTO M314 anchor bolts may be used in lieu of ASTM F1554.
Anchor bolts for side retainers may be either cast in place or installed in holes drilled after the supporting member is in place and prior to pouring the deck.
Drilled and set anchor bolts shall be installed according to Article 521.06 of the Standard Specifications.
Cost of side retainer and anchor bolts shall be included with Concrete Structures.



SIDE RETAINER
(2 Required each side of pier)
Equivalent rolled angle with stiffeners will be allowed in lieu of welded plates.

DESIGNED -
CHECKED -
DRAWN -
CHECKED -

CR & A
CHRISTIAN-ROGE & ASSOCIATES, INC.
ENGINEERS-PLANNERS-SURVEYORS
211 WEST WACKER DRIVE
CHICAGO, ILLINOIS 60606
PHONE: (312)372-2023 FAX: (312)372-5274

SHEET NO. S21	F.A. RTE. 365	SECTION (58&59) WRS-3	COUNTY DuPAGE	TOTAL SHEETS 466	SHEET NO. 227
S43 SHEETS	CONTRACT NO. 62420			ILLINOIS FED. AID PROJECT	