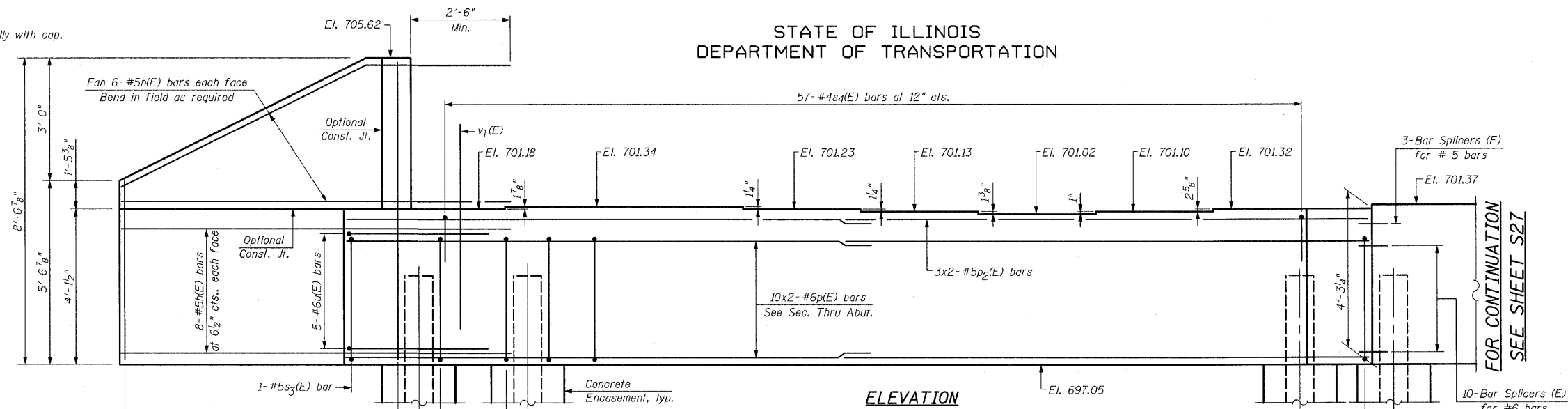


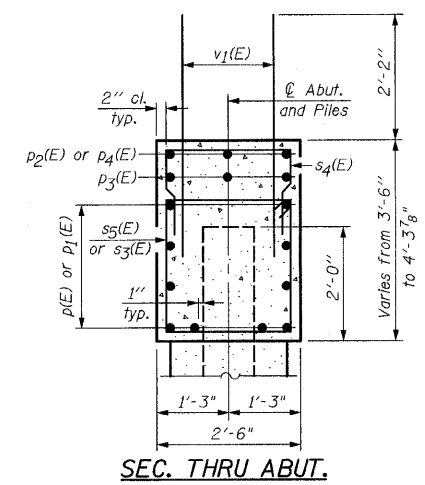
NOTE:
Pour steps monolithically with cap.

STATE OF ILLINOIS
DEPARTMENT OF TRANSPORTATION

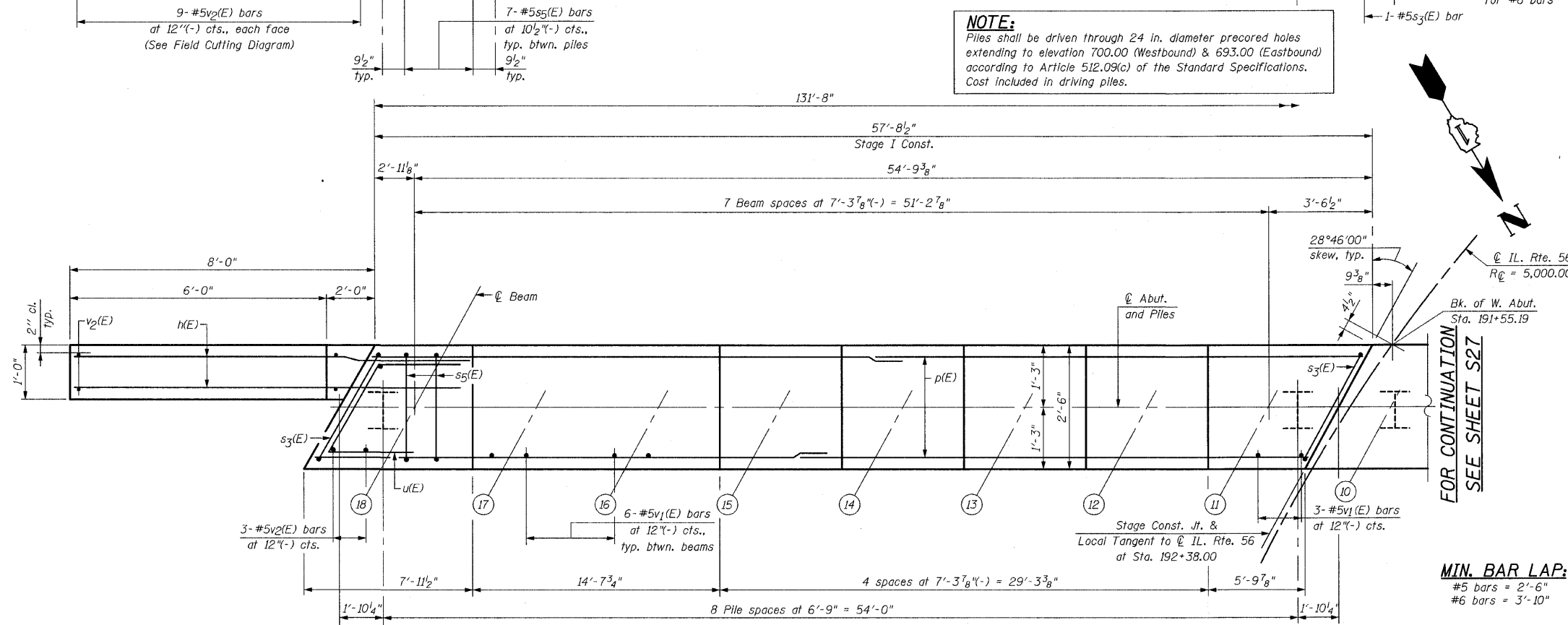


ELEVATION

NOTE:
Piles shall be driven through 24 in. diameter precored holes extending to elevation 700.00 (Westbound) & 693.00 (Eastbound) according to Article 512.09(c) of the Standard Specifications. Cost included in driving piles.



SEC. THRU ABUT.



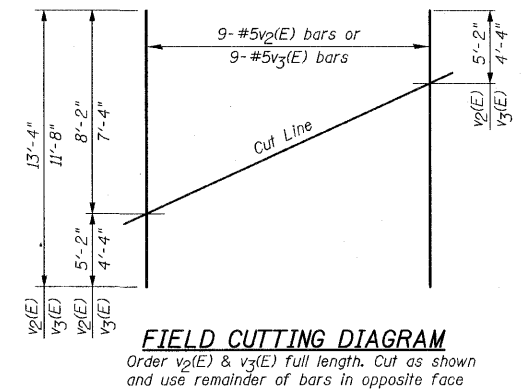
PLAN - WEST ABUTMENT

BILL OF MATERIAL

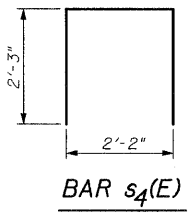
| Bar | No. | Size | Length | Shape |
|----------------------------------|-----|---------|---------|-------|
| h(E) | 54 | #5 | 10'-6" | — |
| p(E) | 30 | #6 | 31'-8" | — |
| p1(E) | 20 | #6 | 26'-7" | — |
| p2(E) | 6 | #5 | 29'-11" | — |
| p3(E) | 6 | #5 | 20'-2" | — |
| p4(E) | 3 | #5 | 8'-6" | — |
| s3(E) | 4 | #5 | 12'-3" | □ |
| s4(E) | 94 | #4 | 6'-8" | □ |
| s5(E) | 130 | #5 | 11'-7" | □ |
| u(E) | 9 | #6 | 10'-2" | ┘ |
| v1(E) | 241 | #5 | 5'-2" | — |
| v2(E) | 9 | #5 | 13'-4" | — |
| v3(E) | 9 | #5 | 11'-8" | — |
| Structure Excavation | | Cu. Yd. | 438 | |
| Concrete Structures | | Cu. Yd. | 52.8 | |
| Concrete Encasement | | Cu. Yd. | 10.9 | |
| Reinforcement Bars, Epoxy Coated | | Pound | 6,870 | |
| Bar Splicers | | Each | 13 | |
| Furnishing Steel Piles HP 14x73 | | Foot | 855 | |
| Driving Piles | | Foot | 855 | |
| Test Pile Steel HP 14x73 | | Each | 1 | |
| Pile Shoes | | Each | 20 | |

For details of Bar Splicers, see Sheet S34. For details of piles and Concrete Encasement, see Sheet S35. Bars indicated thus 10x3-#6 etc., indicates 10 lines of bars with 3 lengths per line.

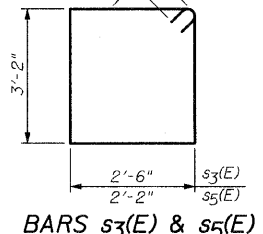
| |
|------------|
| DESIGNED - |
| CHECKED - |
| DRAWN - |
| CHECKED - |



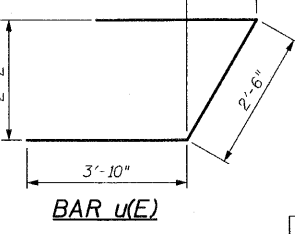
FIELD CUTTING DIAGRAM



BAR s4(E)



BARS s3(E) & s5(E)



BAR u(E)

NOTE:
Work this Sheet with Sheet S27

PILE DATA
Type: Steel HP 14x73 with Pile Shoes
Nominal Required Bearing: 578 kips
Factored Resistance Available: 289 kips
Est. Length: 45 Feet
No. Production Piles: 19
No. Test Piles: 1

**WEST ABUTMENT-I
IL. ROUTE 56 OVER
WEST BRANCH DuPAGE RIVER
F.A.P. RTE. 365
SECTION (58&59) WRS-3
DuPAGE COUNTY
STA. 192+38.00
STRUCTURE NO. 022-2027**

CR CHRISTIAN-ROGE & ASSOCIATES, INC.
ENGINEERS-PLANNERS-SURVEYORS
211 WEST WACKER DRIVE
CHICAGO, ILLINOIS 60606
PHONE: (312)372-2023 FAX: (312)372-5274

| | | | | | |
|---------------------------|-----------|---------------|--------------------|--------------|-----------|
| SHEET NO. S26 | F.A. RTE. | SECTION | COUNTY | TOTAL SHEETS | SHEET NO. |
| S43 SHEETS | 365 | (58&59) WRS-3 | DuPAGE | 466 | 232 |
| | | | CONTRACT NO. 62420 | | |
| ILLINOIS FED. AID PROJECT | | | | | |