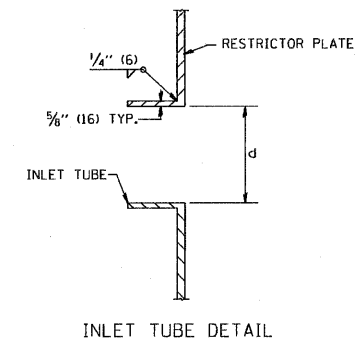
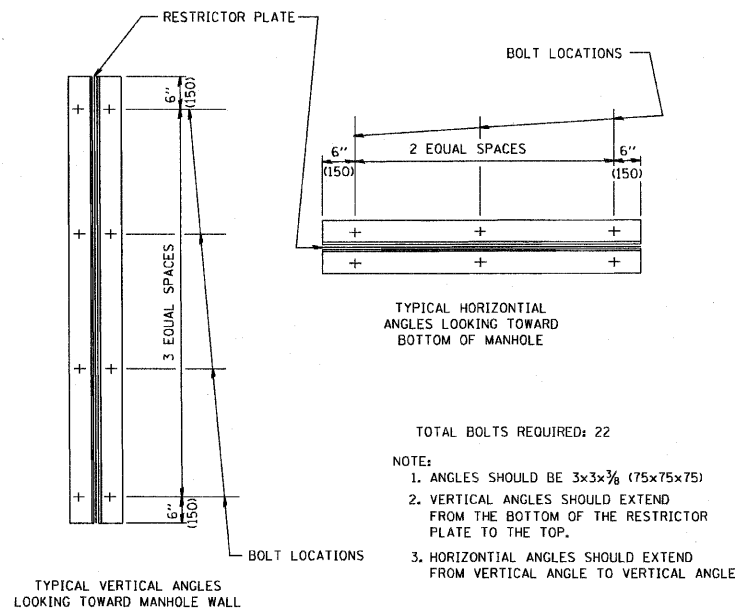


- NOTES:
1. ALL STEEL ANGLES AND PLATES TO BE GALVANIZED AFTER FABRICATION.
  2. ALL RESTRICTOR PLATES, ANGLES AND HARDWARE TO BE INCLUDED IN THE COST OF THE MANHOLE.
  3. BASIS OF PAYMENT: "MANHOLES, TYPE A, 6 FT. (1.8 m)-DIAMETER, TYPE 1 FRAME, CLOSED LID, RESTRICTOR PLATE" EACH



STATION	MANHOLE DIAMETER	FRAME AND GRATE	RESTRICTOR TYPE	INSIDE RESTRICTOR TYPE DIAMETER in. (mm) (d)	INVERT OF RESTRICTOR TYPE	ELEVATION OF TOP OF PLATE OVERFLOW
132+00, LT.	8' DIA.	2 EACH - TYPE 1 FRAME, CLOSED LID	2	12"	703.80	710.50
144+90, LT.	7' DIA.	2 EACH - TYPE 1 FRAME, CLOSED LID	2	12"	702.50	706.50
710+00, LT. WINFIELD ROAD	6' DIA.	2 EACH - TYPE 1 FRAME, CLOSED LID	2	12"	710.20	713.50



RESTRICTOR TYPE					
1	2	3	4	5	6
RE-ENTRANT TUBE	SHARP EDGED	SQUARE EDGED	RE-ENTRANT TUBE	SQUARE EDGED	ROUNDED
LENGTH: 1/2 TO 1 DIA.		STREAM CLEARS SIDES	LENGTH: 2-1/2 DIA.	LENGTH: 2-1/2 DIA.	
C=.52	C=.61	C=.61	C=.73	C=.82	C=.98

VALUES OF "C" FOR CIRCULAR AND SQUARE ORIFICES

ALL DIMENSIONS ARE IN INCHES (MILLIMETERS) UNLESS OTHERWISE SHOWN.

FILE NAME = W:\d\stetd\22x34\bd12.dgn	USER NAME = geglano	DESIGNED - R. SHAH	REVISED - R. SHAH 10-25-94
		DRAWN -	REVISED - E. GOMEZ 08-28-00
	PLOT SCALE = 50.000' / IN.	CHECKED -	REVISED - M. GOMEZ 01-08-01
	PLOT DATE = 1/4/2008	DATE - 09-09-94	REVISED -

STATE OF ILLINOIS  
DEPARTMENT OF TRANSPORTATION

MANHOLE WITH  
RESTRICTOR PLATE

SCALE: NONE SHEET NO. 1 OF 1 SHEETS STA. 90+00 TO STA. 255+00

F.A.P. RTE. 365	SECTION (58&59) WRS-3	COUNTY DuPAGE	TOTAL SHEETS 466	SHEET NO. 454
BD600-04 (BD-12)		CONTRACT NO. 62420		
FED. ROAD DIST. NO. 1 (ILLINOIS) FED. AID PROJECT				