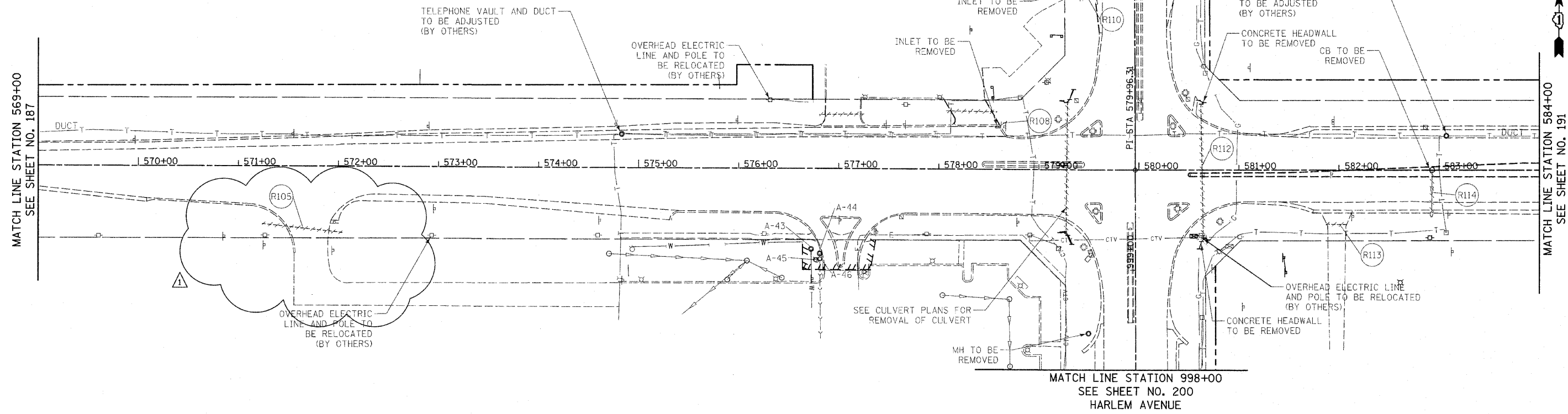


F.A.P. RTE.	SECTION	COUNTY	TOTAL SHEETS	SHEET NO.
353	(12&13)WRS-4	WILL	608	189
STA. 569+00		TO STA. 584+00		
FED. ROAD DIST. NO. 1		ILLINOIS FED. AID PROJECT		

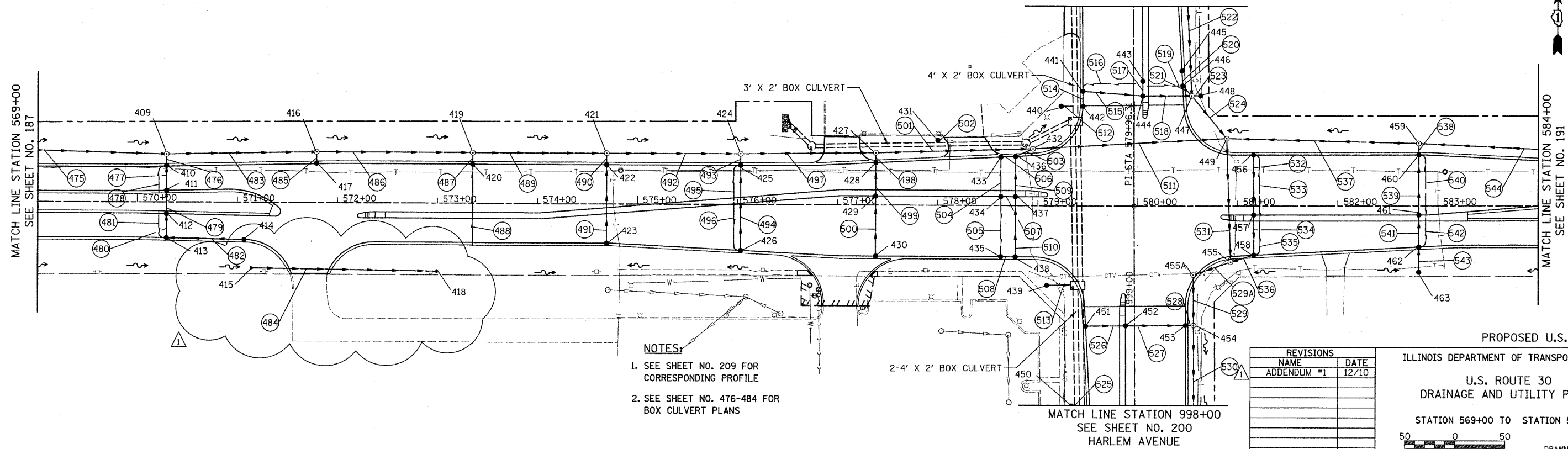
MATCH LINE STATION 1002+00
SEE SHEET NO. 202
HARLEM AVENUE



MATCH LINE STATION 998+00
SEE SHEET NO. 200
HARLEM AVENUE

EXISTING U.S. ROUTE 30

MATCH LINE STATION 1002+00
SEE SHEET NO. 202
HARLEM AVENUE



MATCH LINE STATION 998+00
SEE SHEET NO. 200
HARLEM AVENUE

PROPOSED U.S. ROUTE 30

- NOTES:**
- SEE SHEET NO. 209 FOR CORRESPONDING PROFILE
 - SEE SHEET NO. 476-484 FOR BOX CULVERT PLANS

REVISIONS	
NAME	DATE
ADDENDUM #1	12/10

ILLINOIS DEPARTMENT OF TRANSPORTATION

**U.S. ROUTE 30
DRAINAGE AND UTILITY PLANS**

STATION 569+00 TO STATION 584+00

SCALE IN FEET
50 0 50

DATE 6/11/2010

DRAWN BY DJK
CHECKED BY JRV