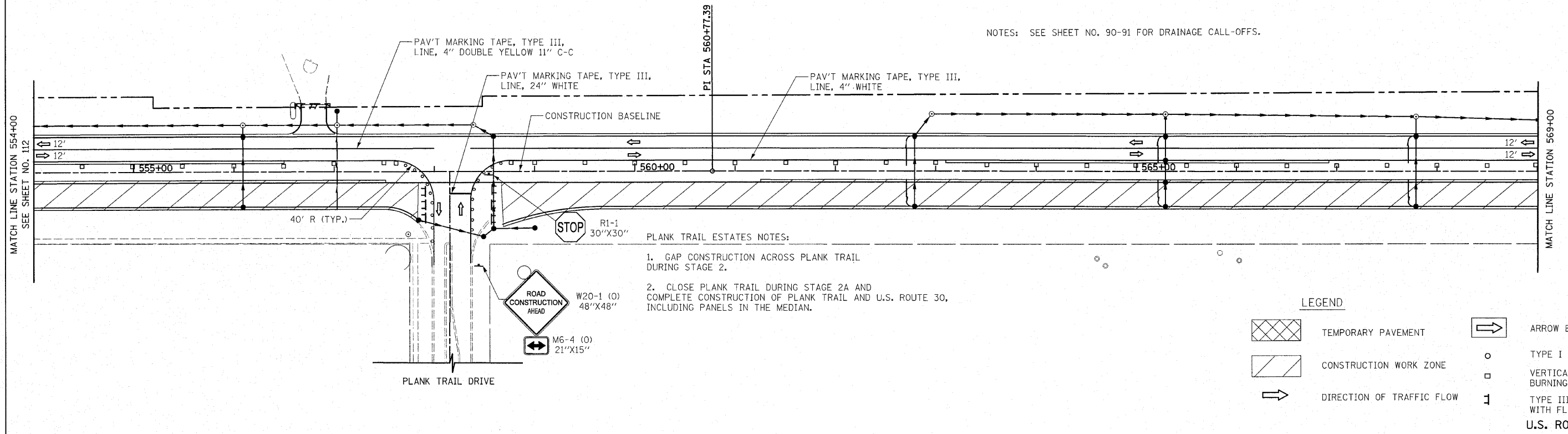


F.A.P. RTE.	SECTION	COUNTY	TOTAL SHEETS	SHEET NO.
353	(12&13)WRS-4	WILL	608	113
STA. 554+00		TO STA. 584+00		
FED. ROAD DIST. NO. 1 ILLINOIS FED. AID PROJECT				

NOTES: SEE SHEET NO. 90-91 FOR DRAINAGE CALL-OFFS.

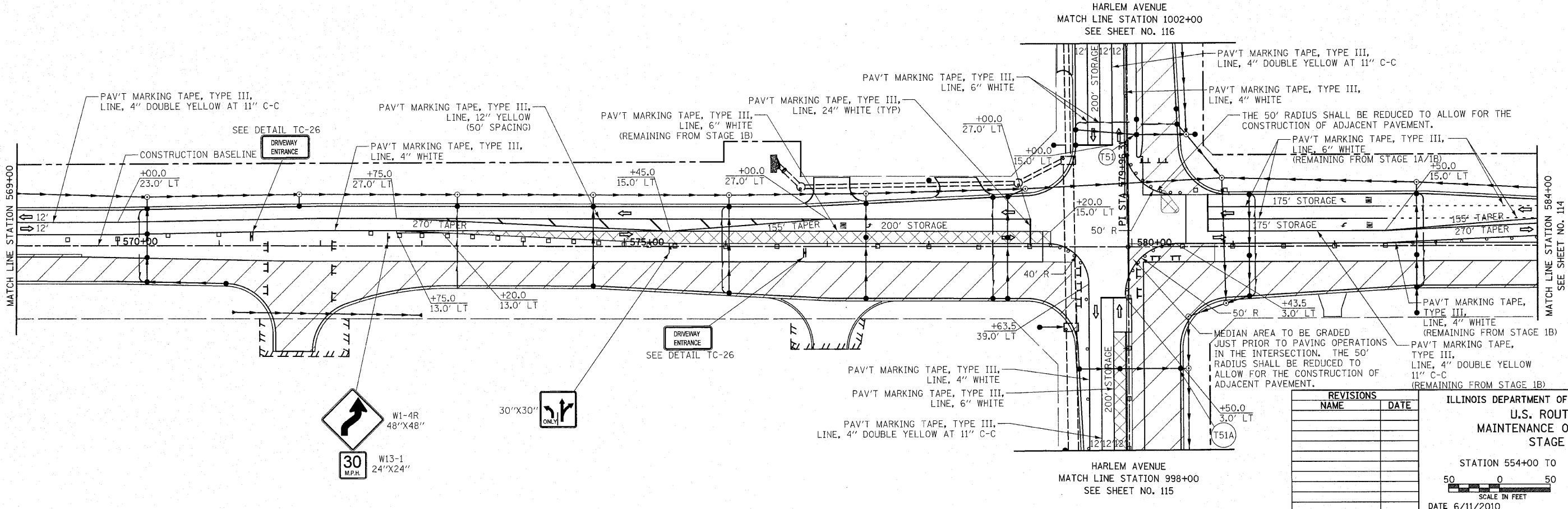


PLANK TRAIL ESTATES NOTES:

- GAP CONSTRUCTION ACROSS PLANK TRAIL DURING STAGE 2.
- CLOSE PLANK TRAIL DURING STAGE 2A AND COMPLETE CONSTRUCTION OF PLANK TRAIL AND U.S. ROUTE 30, INCLUDING PANELS IN THE MEDIAN.

LEGEND

	TEMPORARY PAVEMENT		ARROW BOARD
	CONSTRUCTION WORK ZONE		TYPE I OR II BARRICADE
	DIRECTION OF TRAFFIC FLOW		VERTICAL PANEL WITH STEADY BURNING LIGHT
			TYPE III BARRICADE WITH FLASHING LIGHTS
			U.S. ROUTE 30



REVISIONS	
NAME	DATE

ILLINOIS DEPARTMENT OF TRANSPORTATION
U.S. ROUTE 30
 MAINTENANCE OF TRAFFIC
 STAGE 2

STATION 554+00 TO STATION 584+00

50 0 50
 SCALE IN FEET

DATE 6/11/2010

DRAWN BY DJK
 CHECKED BY JRV