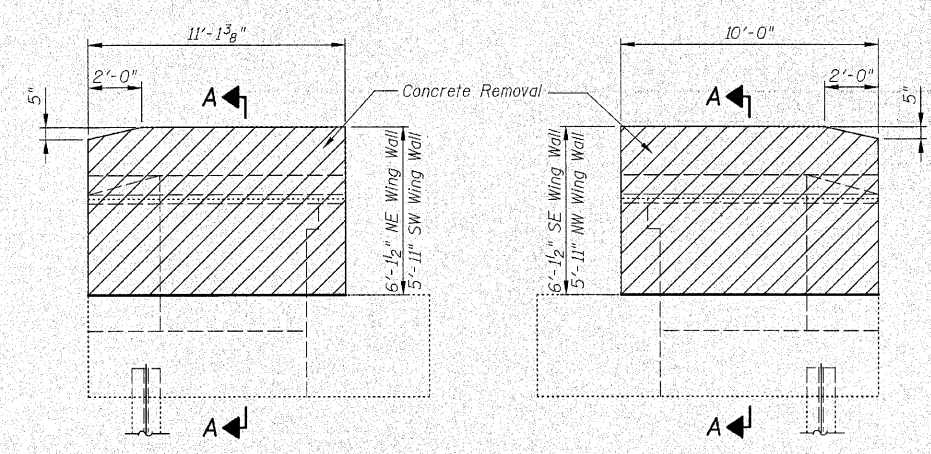
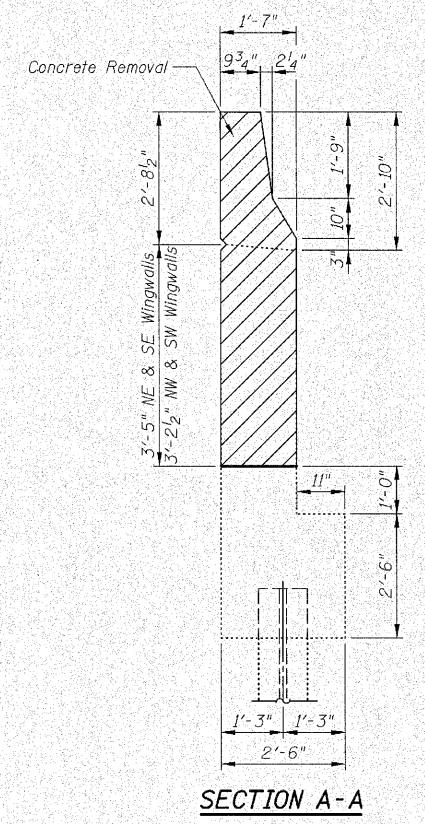


PIER CONCRETE REMOVAL
(Typ. Each End of the Existing Piers)



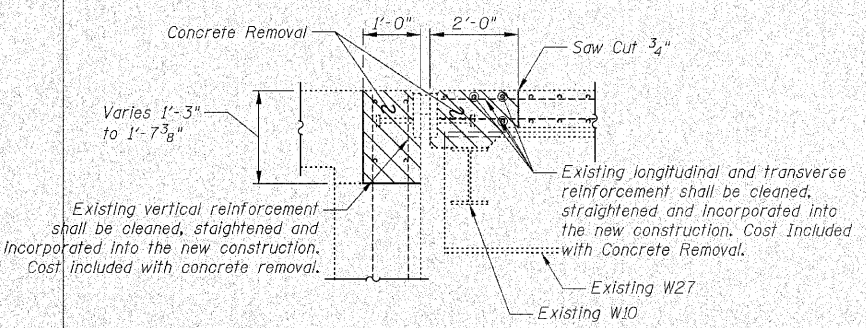
ABUTMENT & WINGWALL CONCRETE REMOVAL

Indicates limits of Concrete Removal

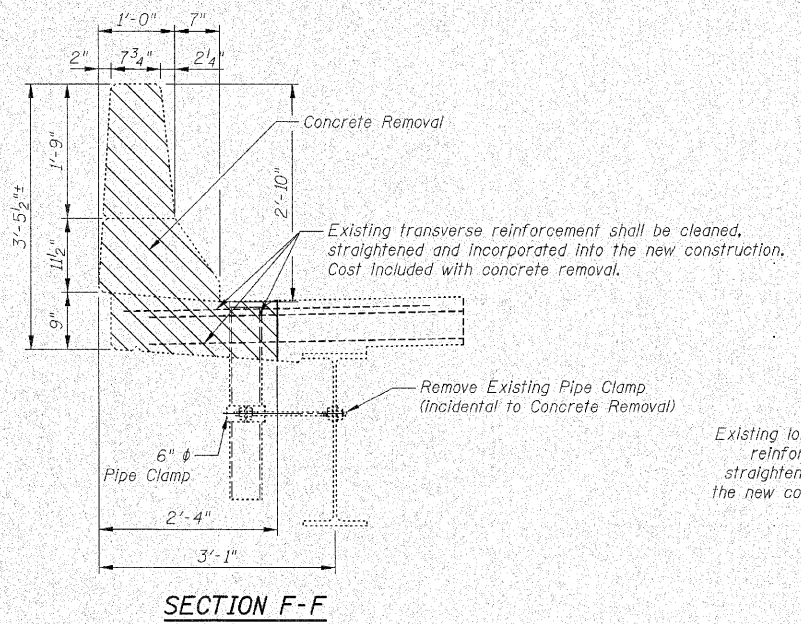
BILL OF MATERIAL

| Item | Unit | Total |
|------------------|---------|-------|
| Concrete Removal | Cu. Yd. | 76 |

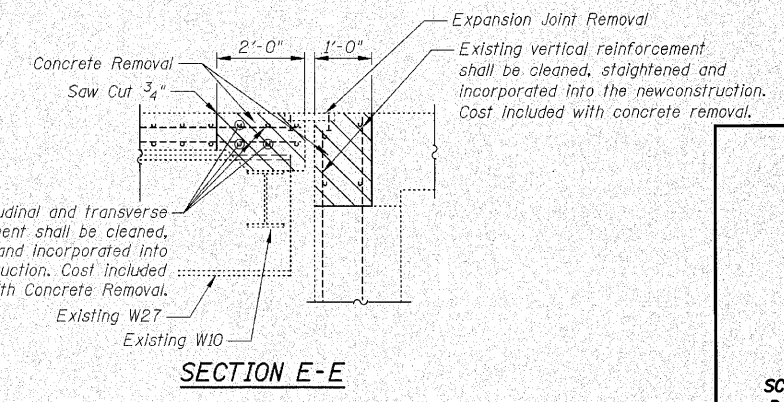
ELEVATION



SECTION D-D



SECTION F-F



SECTION E-E

STATE OF ILLINOIS
DEPARTMENT OF TRANSPORTATION
CONCRETE REMOVAL DETAILS
U.S. RTE. 30 OVER HICKORY CREEK
STATION 493+89.73
STRUCTURE NUMBER 099-0311

SCALE: None
DATE: June 11, 2010

DRAWN BY: C. Cooney
CHECKED BY: G. Hatlestad