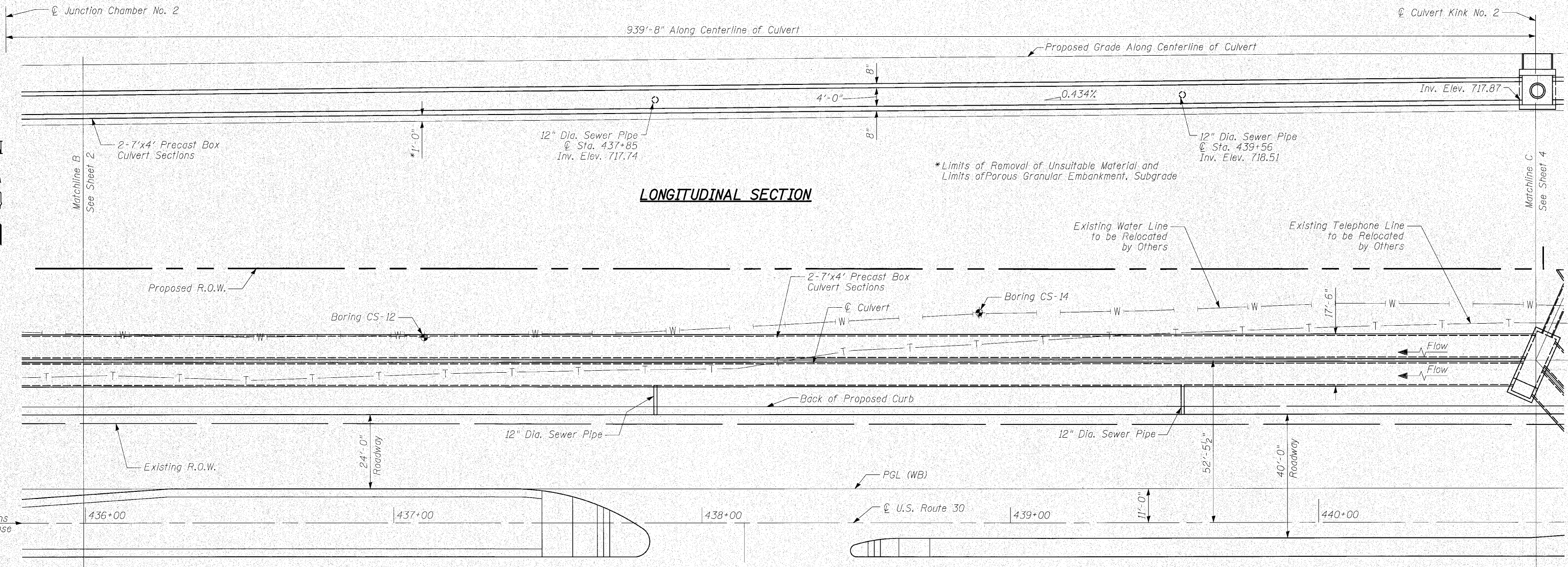


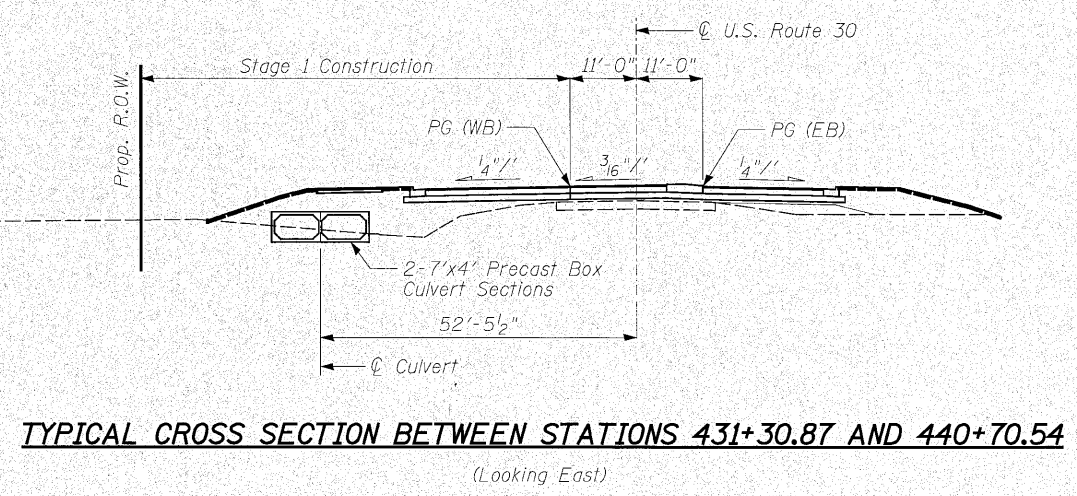
STATE OF ILLINOIS
DEPARTMENT OF TRANSPORTATION

ROUTE NO.	SECTION	COUNTY	TOTAL SHEETS	SHEET NO.	SHEET NO.
353	(12&13)WRS-4	Will	608	442	23 SHEETS
FED. ROAD DIST. NO. 7		ILLINOIS	FED. AID PROJECT -		
Contract No. 62478					

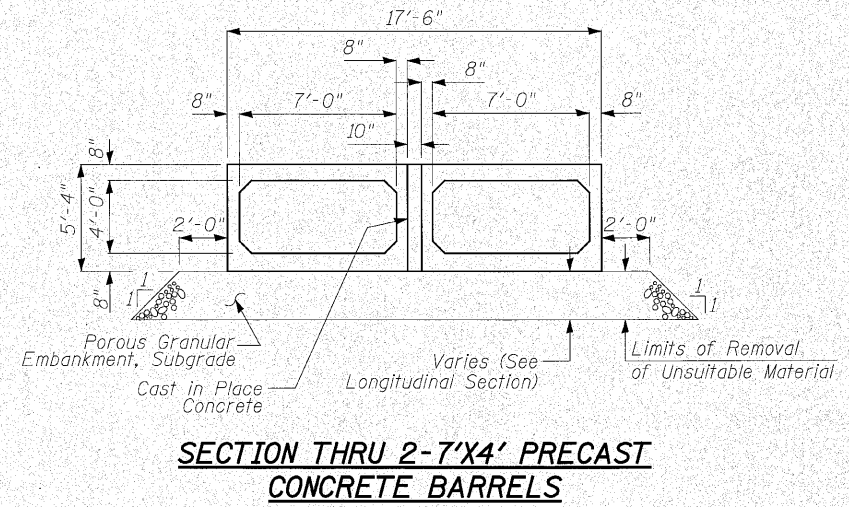


LONGITUDINAL SECTION

PLAN



TYPICAL CROSS SECTION BETWEEN STATIONS 431+30.87 AND 440+70.54
(Looking East)



SECTION THRU 2-7'x4' PRECAST CONCRETE BARRELS

DESIGNED	MT
CHECKED	RB
DRAWN	JHP
CHECKED	SPK

PARTIAL GENERAL PLAN (3 OF 4)
U.S. ROUTE 30 OVER
HICKORY CREEK TRIBUTARY 1
F.A.P. ROUTE 353 SEC. (12&13)WRS-4
WILL COUNTY
STATION 441+23.00
STRUCTURE NO. 099-4626

INFRASTRUCTURE ENGINEERING INCORPORATED
 33 West Monroe | Suite 1540 | Chicago, IL 60603
 P 312.425.9560 | F 312.425.9564 | www.infrastructure-eng.com

P:\P-023\15025\Drawings\Final_Design\441+23.00\Drawings\Sheets\Culv141-ah-03.dgn
 4/21/06 PM
 7/13/2010