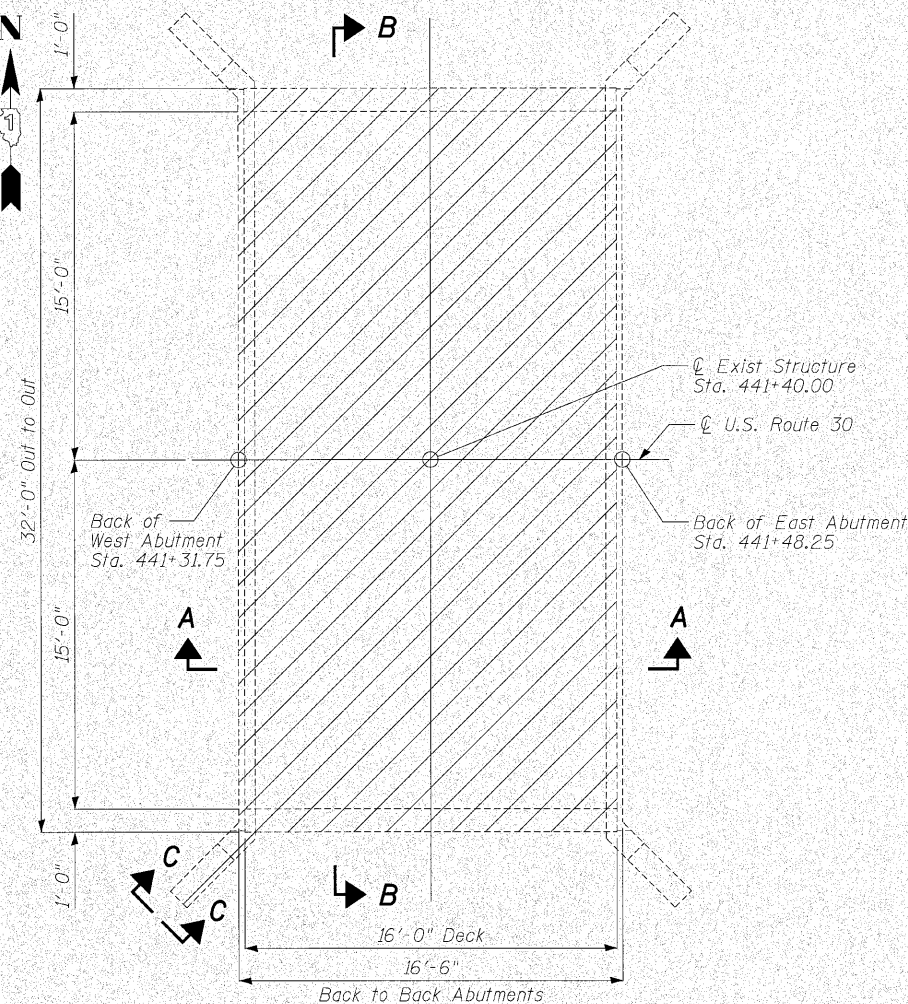
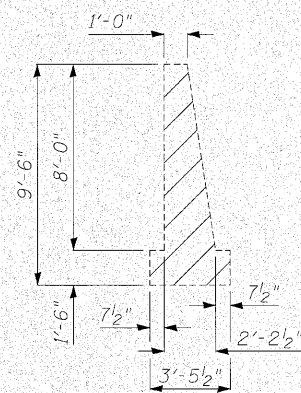


STATE OF ILLINOIS
DEPARTMENT OF TRANSPORTATION

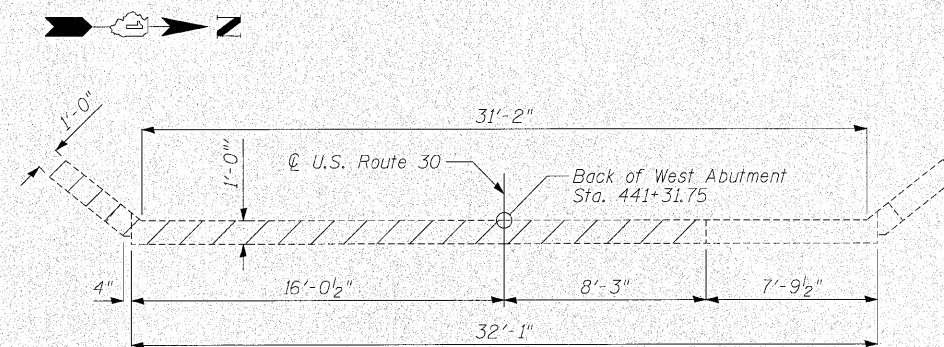
ROUTE NO.	SECTION	COUNTY	TOTAL SHEETS	SHEET NO.	SHEET NO.
353	(12&13)WRS-4	Will	608	444	23 SHEETS
FED. ROAD DIST. NO. 7	ILLINOIS	FED. AID PROJECT-	Contract No. 62478		



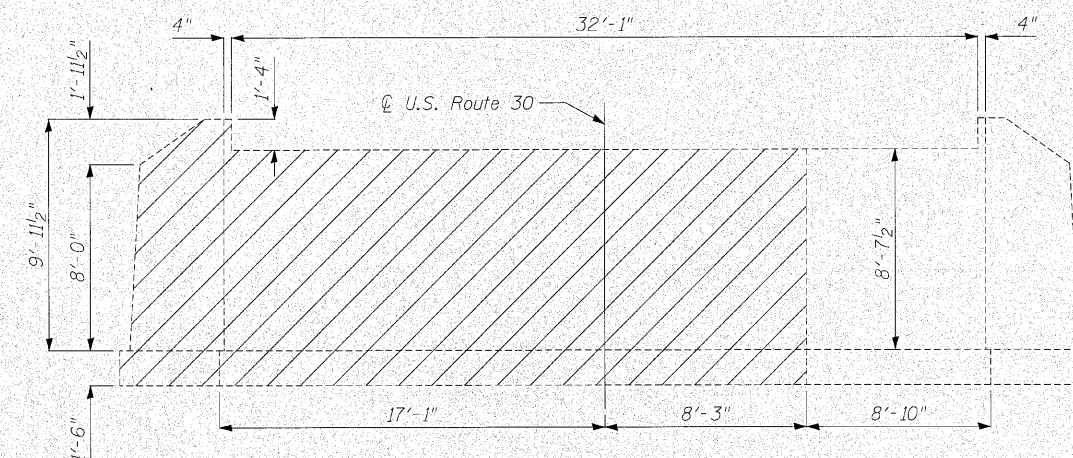
EXISTING STRUCTURE REMOVAL PLAN



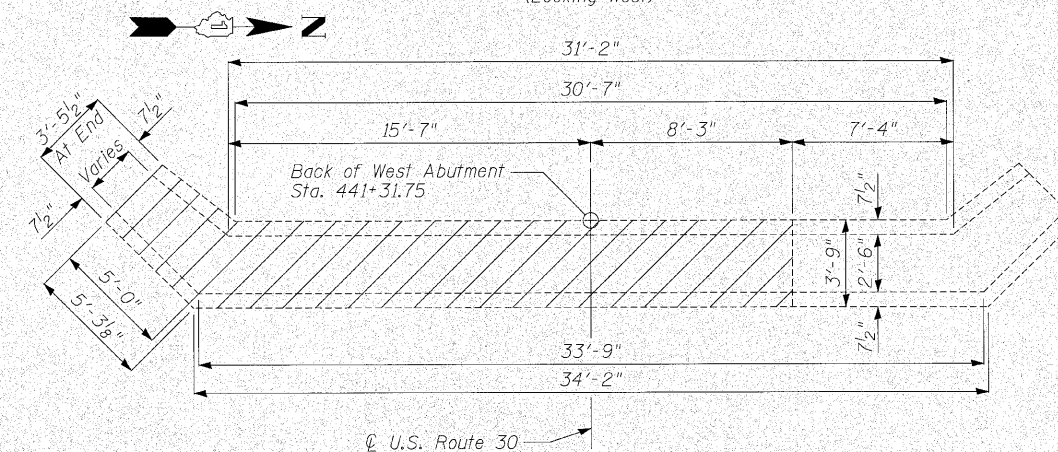
SECTION C-C



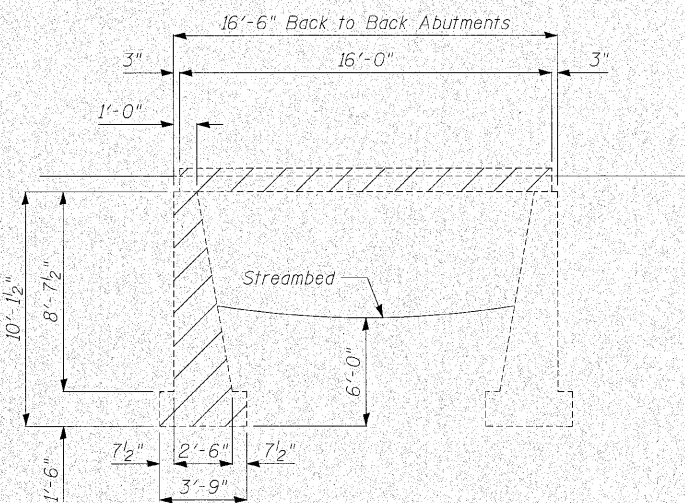
EXISTING WEST ABUTMENT TOP PLAN



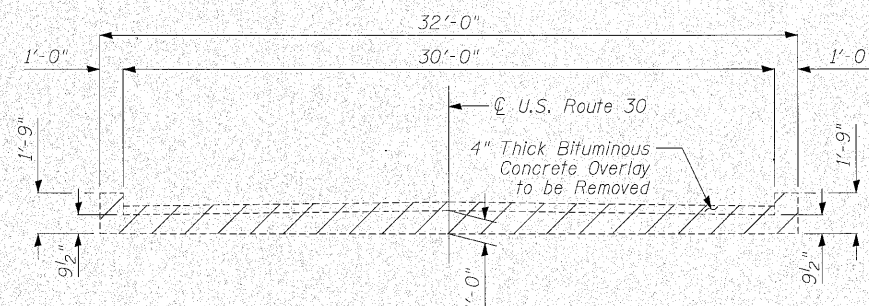
EXISTING WEST ABUTMENT ELEVATION
(Looking West)



EXISTING WEST ABUTMENT FOOTING PLAN



SECTION A-A



SECTION B-B

BILL OF MATERIAL

Item	Unit	Quantity
Concrete Removal	Cu. Yd.	45.3

Notes:
Quantity of Bituminous Concrete Overlay Removal is included in the quantity for Concrete Removal.

The cost of removing the existing shoring inside the structure is included with the cost of Concrete Removal.

Indicates Limits of Removal

DESIGNED	---
CHECKED	---
DRAWN	JHP
CHECKED	SPK

INFRASTRUCTURE ENGINEERING | INCORPORATED
33 West Monroe | Suite 1540 | Chicago, IL 60603
P 312.425.9560 | F 312.425.9564 | www.infrastructure-eng.com

EXISTING STRUCTURE REMOVAL
U.S. ROUTE 30 OVER
HICKORY CREEK TRIBUTARY 1
F.A.P. ROUTE 353 SEC. (12&13)WRS-4
WILL COUNTY
STATION 441+23.00
STRUCTURE NO. 099-4626

P:\P-03\1505\5-Drawings\Final_Design\441+23.00\Drawings\Sheets\culv441-sh105REM.dgn 1:36:56 PM 6/9/2010