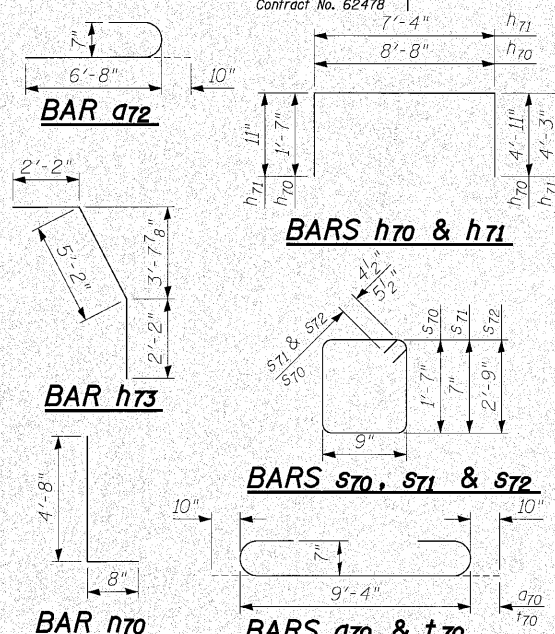
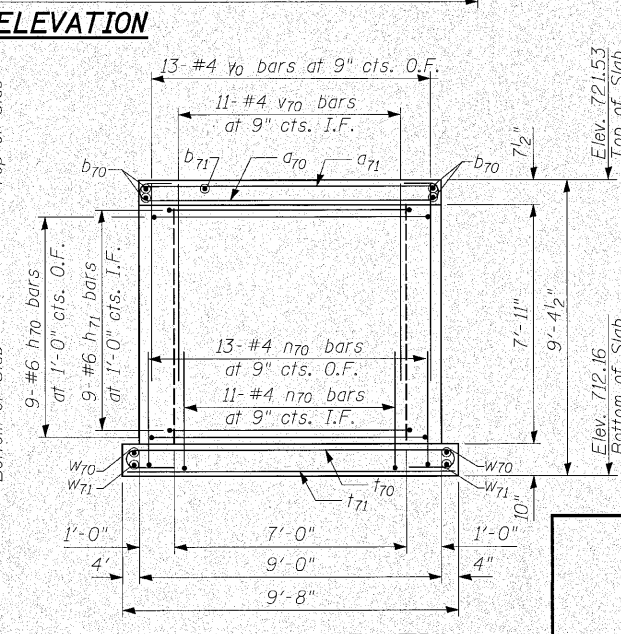
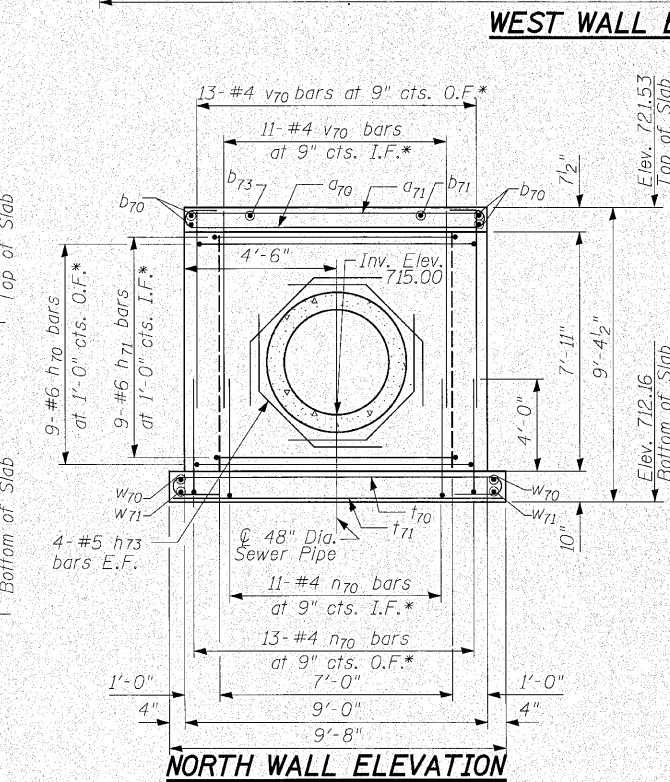
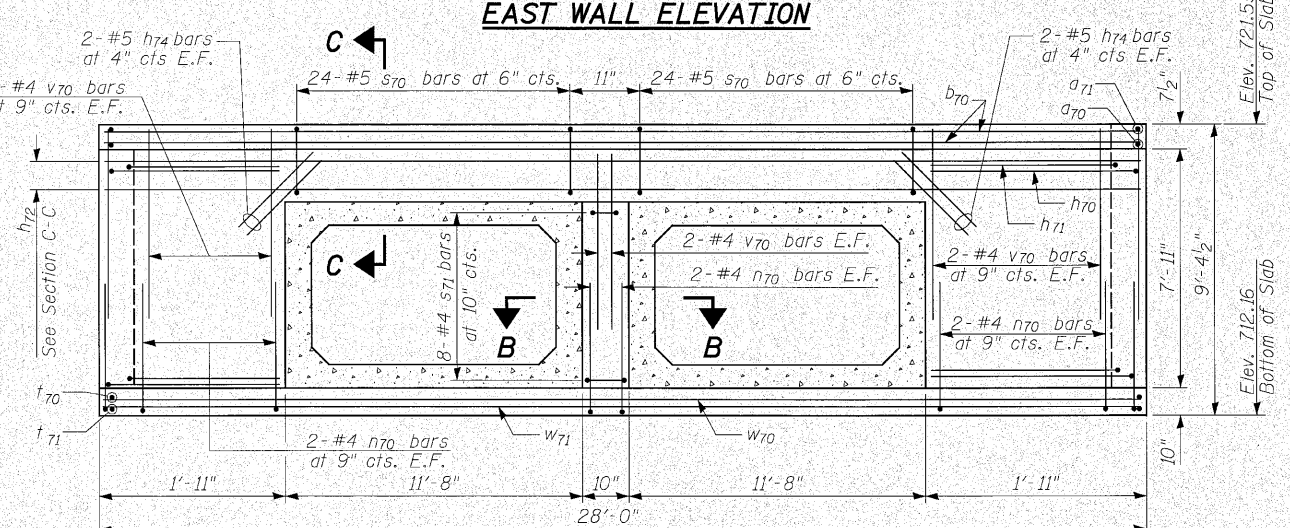
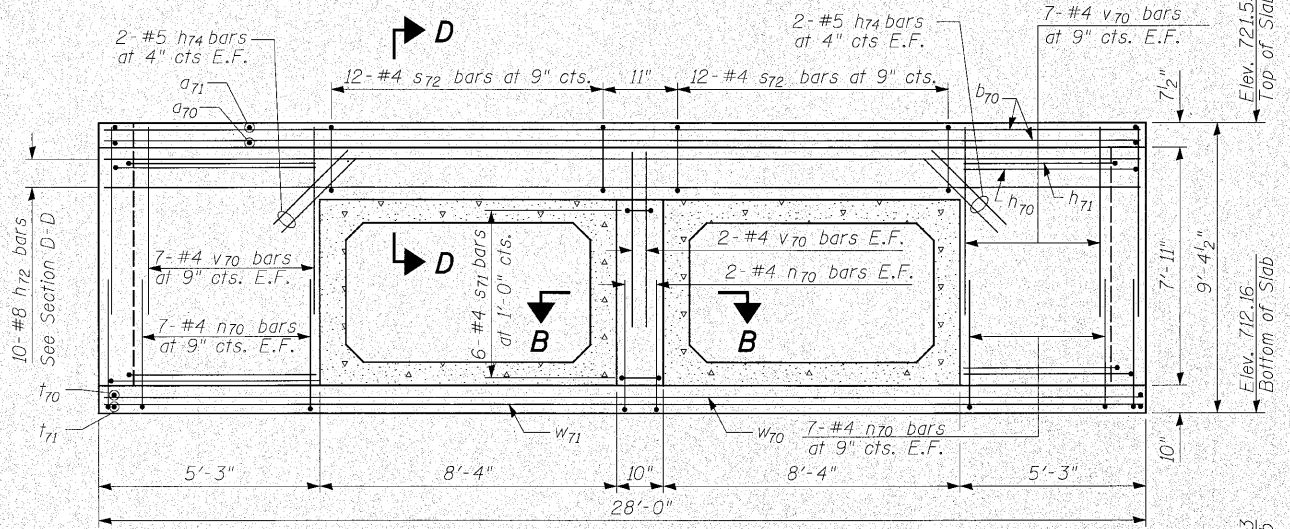
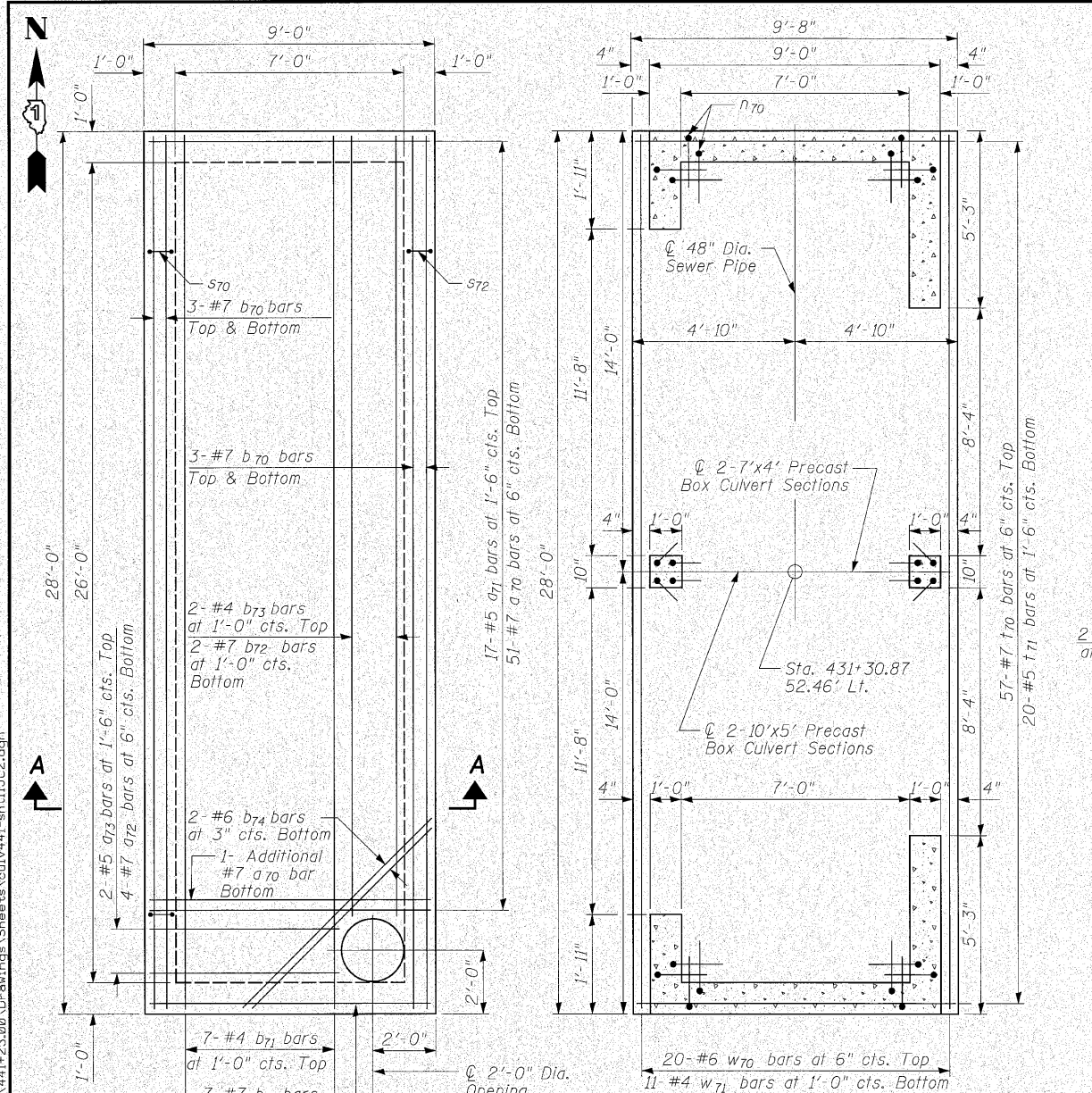


STATE OF ILLINOIS
DEPARTMENT OF TRANSPORTATION

ROUTE NO.	SECTION	COUNTY	TOTAL SHEETS	SHEET NO.
353	(12&13)WRS-4	WILL	608	450
SHEET NO. 11 23 SHEETS				
Contract No. 62478				



BILL OF MATERIAL

Bar	No.	Size	Length	Shape
a70	53	#7	10'-4"	U
a71	18	#5	8'-8"	U
a72	4	#7	7'-6"	U
a73	2	#5	6'-8"	U
b70	18	#7	27'-8"	—
b71	6	#4	27'-8"	—
b72	2	#7	25'-8"	—
b73	2	#4	25'-8"	—
b74	2	#6	8'-0"	—
h70	18	#6	15'-2"	U
h71	18	#6	12'-6"	U
h72	18	#8	27'-8"	—
h73	8	#5	9'-6"	—
h74	16	#5	2'-0"	—
n70	92	#4	5'-4"	L
s70	48	#5	5'-7"	U
s71	14	#4	3'-5"	U
s72	24	#4	7'-9"	U
t70	57	#7	11'-0"	U
t71	20	#5	9'-4"	U
v70	92	#4	7'-5"	—
w70	20	#6	27'-8"	—
w71	11	#4	27'-8"	—
Concrete Structures			Cu. Yd.	25.1
Reinforcement Bars			Pound	8,570

Note: Quantity of Concrete Structures and Reinforcement Bars is shown for information only.

JUNCTION CHAMBER NO. 2
U.S. ROUTE 30 OVER
HICKORY CREEK TRIBUTARY 1
F.A.P. ROUTE 353 SEC. (12&13)WRS-4
WILL COUNTY
STATION 441+23.00
STRUCTURE NO. 099-4626

INFRASTRUCTURE ENGINEERING INCORPORATED
33 West Monroe | Suite 1540 | Chicago, IL 60603
P 312.425.9560 | F 312.425.9564 | www.infrastructure-eng.com

6/9/2010 1:41:18 PM F:\P\03\1505\Drawings\Final_Design\441+23\00\0-ewrqs\Sheets\slab\441-shr111c2.dgn

DESIGNED	SPK
CHECKED	SST
DRAWN	ASJ
CHECKED	SPK

*Cut bars as required to clear opening