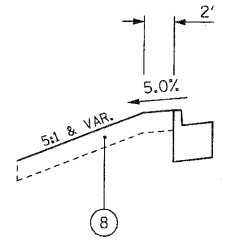


SEE DETAIL "A"



DETAIL "A"

STA. 324+25.26 TO STA. 329+00.00

PROPOSED SUPERELEVATION SECTION

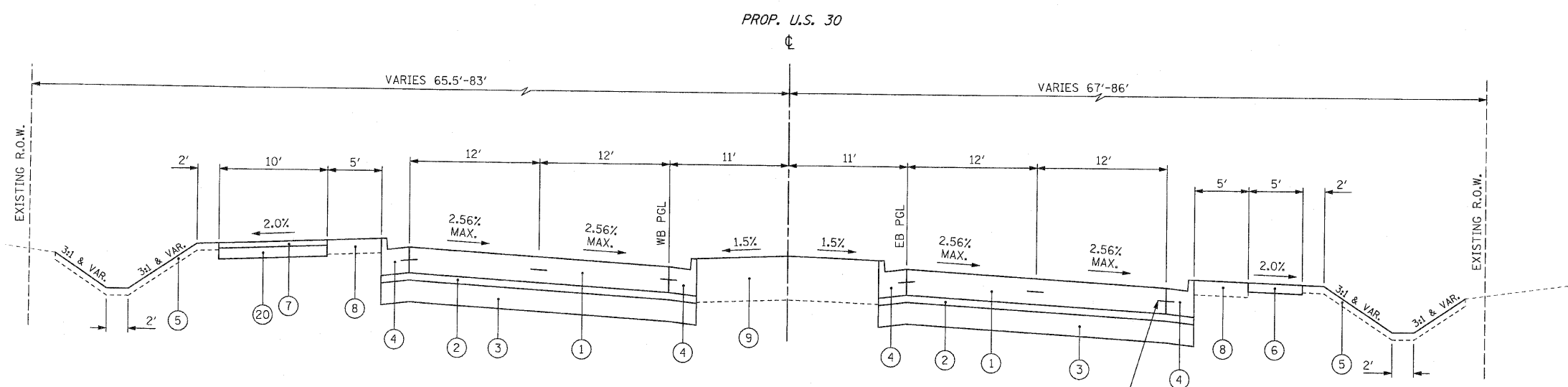
U.S. RTE. 30

STA. 324+25.26 TO STA. 329+00.00
 STA. 339+53.47 TO STA. 347+34.88

ROAD	CURVE NAME	S. E. RATE	STATION		
			BEGIN S. E.	FULL S. E.	END S. E.
U. S. RTE. 30	PR30CUR6	2.30%	324+25.26	327+05.71	351+03.77
	PR30CUR7	2.56%		354+10.46	371+26.38

PROPOSED LEGEND

- ① PORTLAND CEMENT CONCRETE PAVEMENT, 9 3/4" (JOINTED)
- ② STABILIZED SUBBASE - HOT MIX ASPHALT, 4 1/2"
- ③ AGGREGATE SUBGRADE 12", SPECIAL
- ④ COMBINATION CONCRETE CURB & GUTTER, TYPE B-6.24
- ⑤ TOPSOIL FURNISH AND PLACE, 4"
- ⑥ PORTLAND CEMENT CONCRETE SIDEWALK, 5"
- ⑦ HOT-MIX ASPHALT SURFACE COURSE, MIX "C", N50, 3"
- ⑧ TOPSOIL FURNISH AND PLACE, 8"
- ⑨ TOPSOIL FURNISH AND PLACE, 24"
- ⑩ CONCRETE MEDIAN, TYPE SB-6.24 (MODIFIED)
- ⑪ HOT-MIX ASPHALT PAVEMENT (FULL DEPTH), 9"
- ⑫ AGGREGATE SUBGRADE, 12"
- ⑬ LEVELING BINDER, (MACHINE METHOD), N50, 3/4"
- ⑭ HOT-MIX ASPHALT SURFACE COURSE, MIX "C", N50, 1 1/2"
- ⑮ COMBINATION CONCRETE CURB & GUTTER, TYPE B-6.12
- ⑯ HOT-MIX ASPHALT BINDER COURSE, IL-19.0, N50, 2 1/4"
- ⑰ HOT-MIX ASPHALT BINDER COURSE, IL-19.0, N50, 6 3/4"
- ⑱ HOT-MIX ASPHALT SURFACE COURSE, MIX "D", N50, 1 1/2"
- ⑲ HOT-MIX ASPHALT BASE COURSE WIDENING, 6 3/4"
- ⑳ AGGREGATE BASE COURSE, TYPE B 6"
- ㉑ HOT-MIX ASPHALT SURFACE COURSE, MIX "C", N50, 2"
- ㉒ AGREGATE SHOULDERS, TYPE B 6"



PROPOSED SUPERELEVATION SECTION

U.S. RTE. 30

STA. 352+98.20 TO STA. 362+98.79

REVISIONS		ILLINOIS DEPARTMENT OF TRANSPORTATION
NAME	DATE	
		SUPERELEVATION SECTIONS PROPOSED U.S. RTE. 30 (LINCOLN HWY) SCALE : 1" = NTS DRAWN BY : BEC DATE : 10/12/2010 CHECKED BY : GB