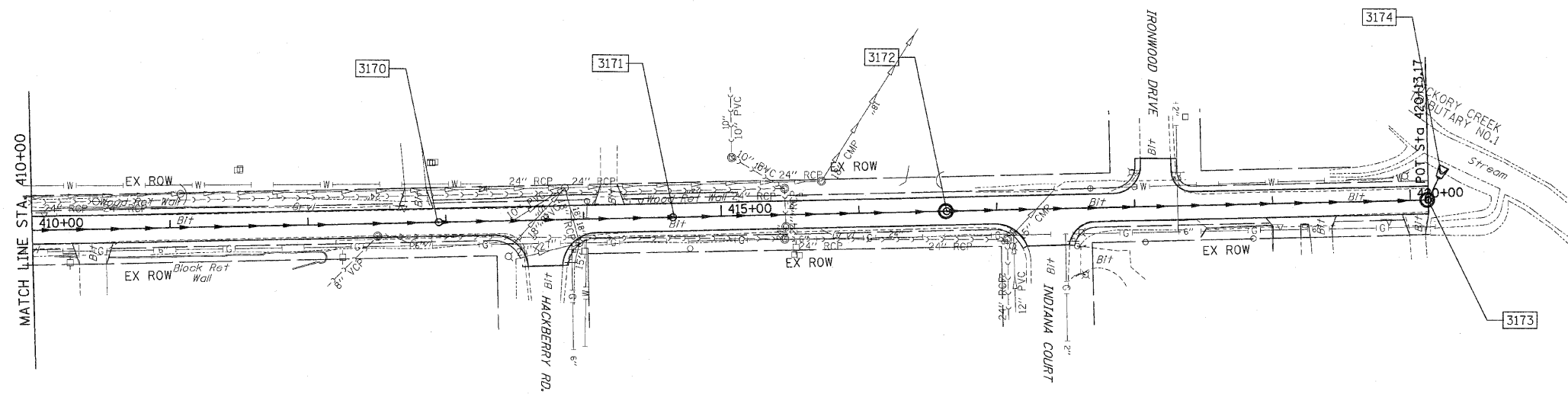
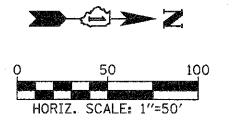


F.A.P. RTE.	SECTION	COUNTY	TOTAL SHEETS	SHEET NO
353	(12&13)WRS-3	WILL	1235	330
STA.	TO STA.			
FED. ROAD DIST. NO.	ILLINOIS	FED. AID PROJECT		



STRUCTURE TABLE

STR. #	STRUCTURE				RIM ELEV	INVERT ELEVATION				UNDER DRAIN CONNECT.	STR TOP SLAB
	STATION	OFFSET	TYPE	FRAME		NORTH	EAST	SOUTH	WEST		
3170	412+95.00	0.0	MH A8	1 CL	710.31	695.22		702.42		-	TAPERED
3171	414+65.00	0.0	MH A8	1 CL	701.97	686.24		694.13		-	TAPERED
3172	416+45.00	0.0	MH A8	1 CL	693.36	682.58		685.09		-	TAPERED
3173	420+13.00	0.0	MH A9	1 CL	690.12	682.25		682.25		-	TAPERED
3174	420+21.00	-16.2	FES 60	-	-			682.23		-	-

PIPE TABLE

STRUCTURE		INVERT		SLOPE (FT/FT)	TYPE	STORM SEWER *			TRENCH BACKFILL (CU YD)
U. S.	D. S.	U. S.	D. S.			LENGTH (1)	LENGTH (2)	DIA (INCH)	
3170	3171	695.22	694.13	0.0064	2	138	32	54	274.6
3171	3172	686.24	685.09	0.0064	2	180	0	54	324.4
3172	3173	682.58	682.25	0.0009	2	368	0	60	310.2
3173	3174	682.25	682.23	0.0009	1	18	0	60	0.0

- * TOTAL LENGTH FROM STRUCTURE TO STRUCTURE = STORM SEWER LENGTH (1) + STORM SEWER (WATER MAIN REQUIREMENTS) LENGTH (2)
- ** SHALLOW DEPTH PIPE REQUIREMENTS

NOTE:

THE CONTRACTOR SHALL MAINTAIN AND PROTECT EXISTING SEWERS AND MAINTAIN FLOWS THROUGHOUT EXISTING SEWERS AT ALL TIMES.

NOTES:

- 1. FOR DRAINAGE NOTES SEE FIRST PAGE DRAINAGE AND UTILITY PLANS.

REVISIONS		ILLINOIS DEPARTMENT OF TRANSPORTATION
NAME	DATE	
		DRAINAGE AND UTILITIES CEDAR LANE
SCALE : 1" = 50'		DRAWN BY : BAE CHECKED BY : GB
DATE : / /		