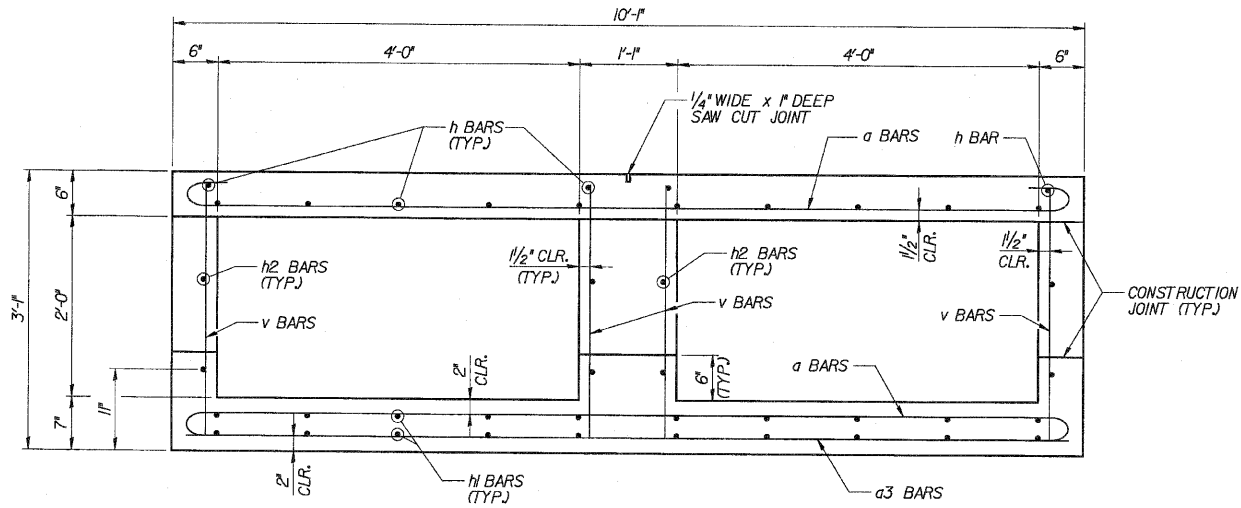


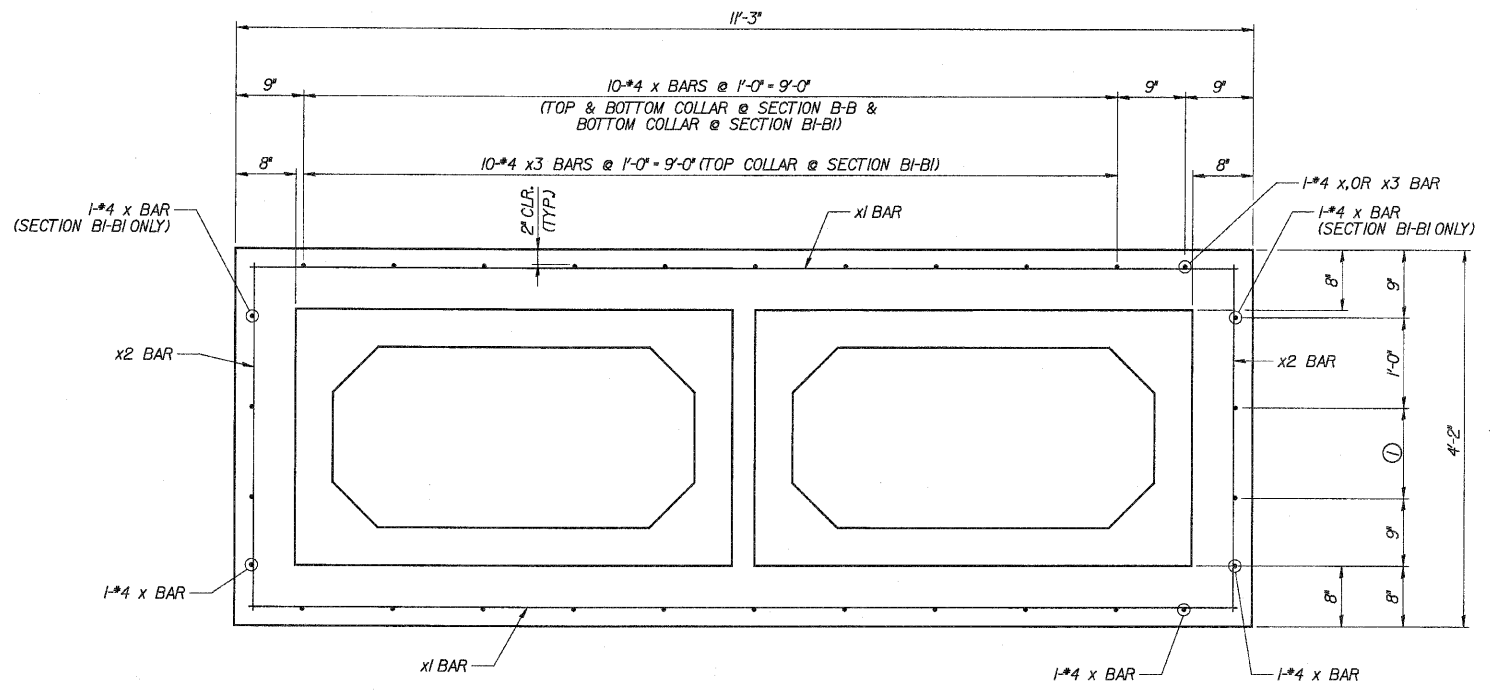
\* SECT. 12 & 13 WRS-3  
\* CONTRACT NO. 02479



**CAST-IN-PLACE TYPICAL SECTION**

**SECTION A-A**

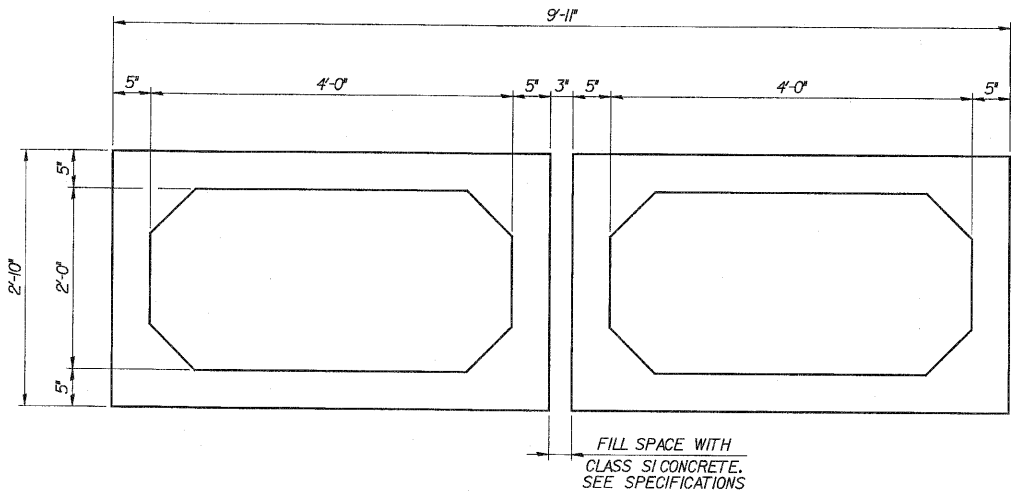
NOTE:  
TILT HOOK BARS IN TOP AND  
BOTTOM SLAB TO PROVIDE  
REQUIRED CLEARANCE.



**PRECAST TO CAST-IN-PLACE CONNECTION COLLAR**

**SECTION B-B & BI-BI**

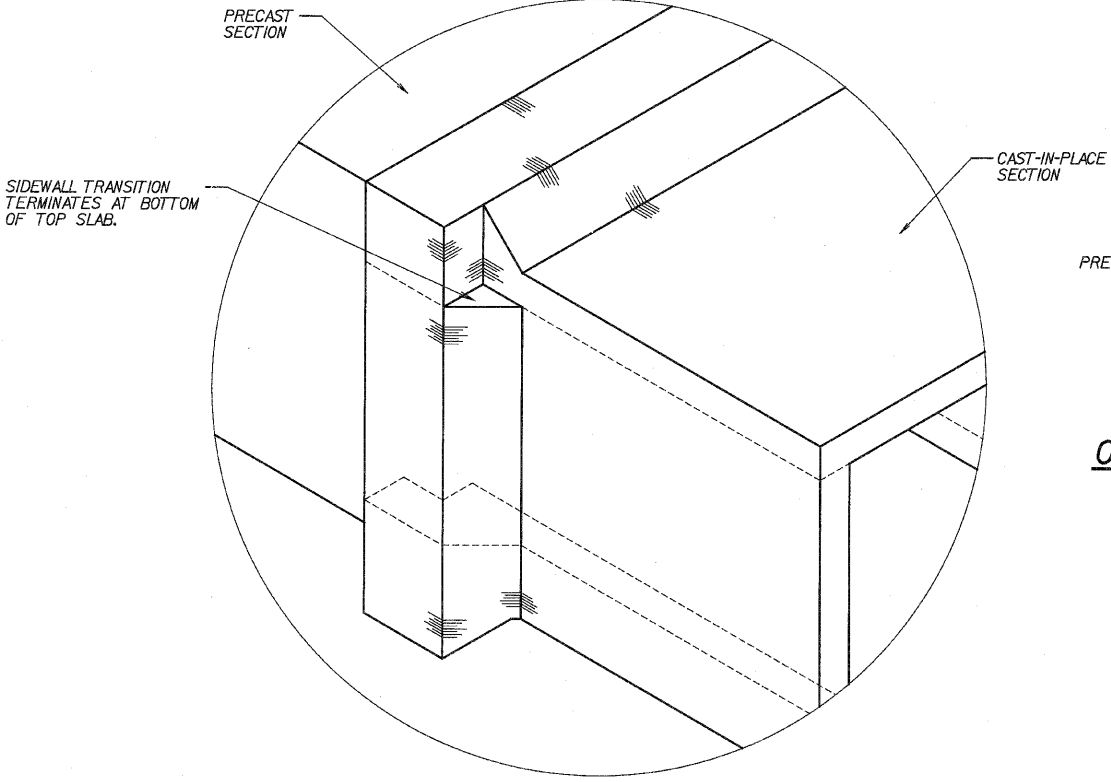
① 2-#4 x BARS @ 1'-0\"/>



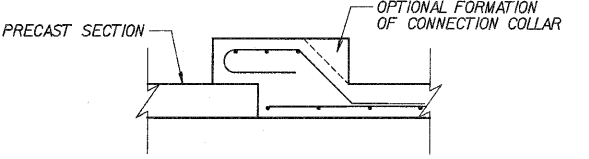
**PRECAST TYPICAL SECTION**

**SECTION C-C**

NOTE:  
CLASS SI CONCRETE TO BE POURED BETWEEN  
PRECAST SECTIONS PRIOR TO FORMING AND  
POURING OF CAST-IN-PLACE END SECTIONS.



**ISOMETRIC VIEW OF  
CONNECTION COLLAR**



**OPTIONAL PRECAST TO CAST-IN-PLACE  
CONNECTION COLLAR**

NOTE:  
ADDITIONAL CONCRETE USED FOR THE  
OPTIONAL COLLAR FORMATION WILL BE  
PROVIDED AT THE CONTRACTOR'S EXPENSE.

**DLZ** 85 W. Algonquin Rd. Ste. 220  
Arlington Heights IL 60005  
DLZ Illinois, Inc.

DESIGNED	ASP
CHECKED	CDS
DRAWN	BEM
CHECKED	ASP

REVISIONS	
NAME	DATE

**CULVERT 'B'**  
**TYPICAL SECTION**  
U.S. ROUTE 30 (LINCOLN HIGHWAY)  
F.A.P. 353 (U.S. 30)  
SECTION (12 & 13) WRS-3  
STATION 158+00.00  
WILL COUNTY  
STRUCTURE NUMBER 099-C011