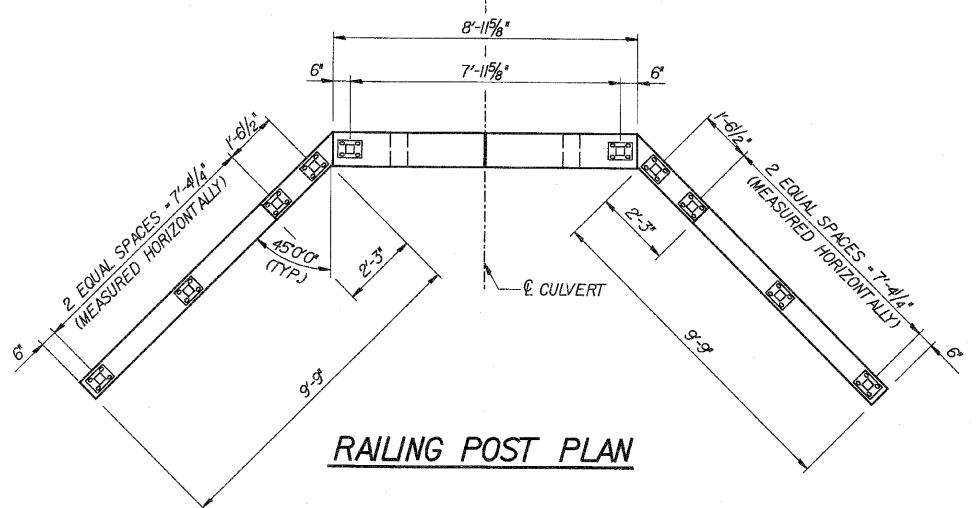
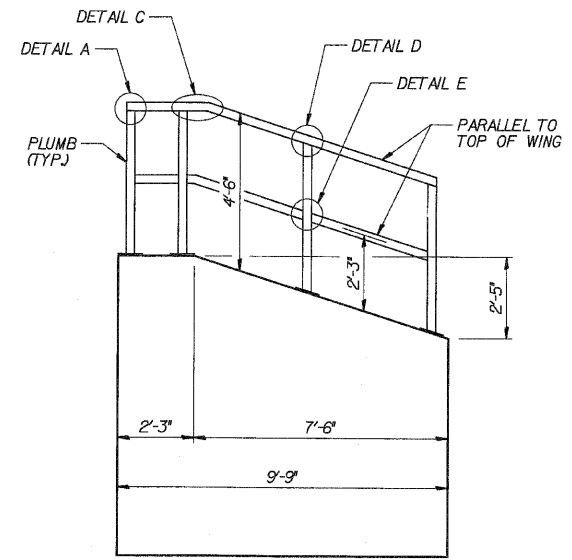


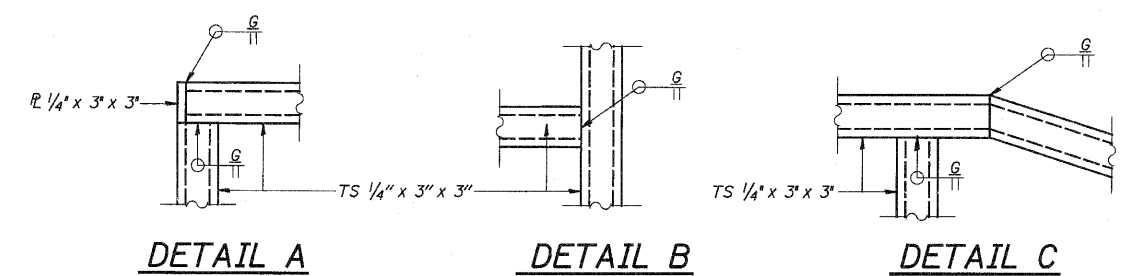
ROUTE NO.	SECTION	COUNTY	TOTAL SHEETS	SHEET NO.
FAP 303	*	WILL	1235	626
FED. ROAD DIST. #		ILLINOIS	FED. AID PROJECT	
* SECT. (12 & 13) WRS-3		* CONTRACT NO. 62479		



RAILING POST PLAN



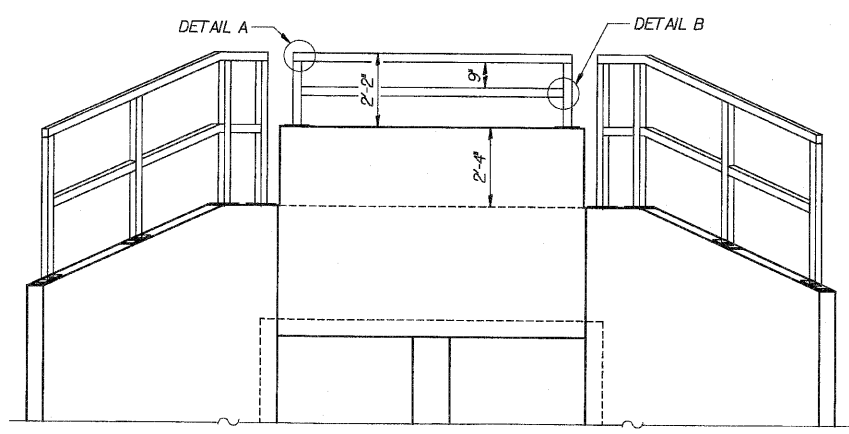
**PARAPET RAILING ELEVATION
OVER WINGWALLS**



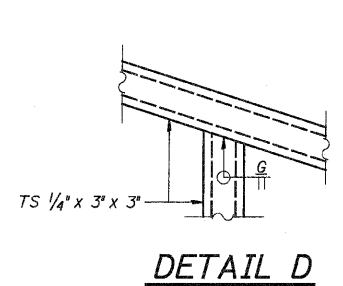
DETAIL A

DETAIL B

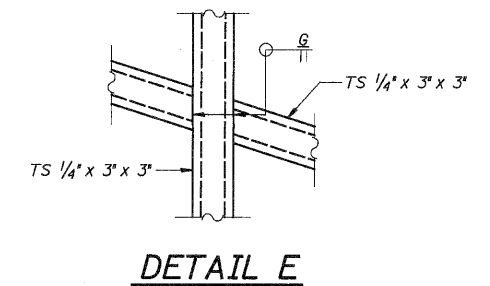
DETAIL C



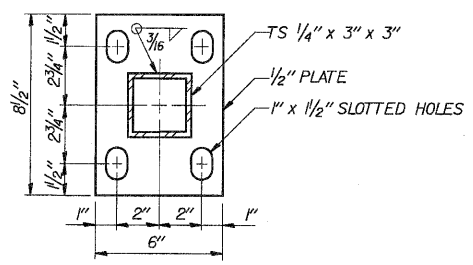
PARAPET RAILING ELEVATION



DETAIL D



DETAIL E



BASE PLATE

NOTES

RAILING SHALL BE IN ACCORDANCE WITH SECTION 509 OF THE STANDARD SPECIFICATIONS, EXCEPT AS NOTED, AND WILL BE PAID FOR AT THE CONTRACT UNIT PRICE PER LINEAR FOOT FOR PARAPET RAILING.

HOLLOW STRUCTURAL STEEL TUBING SHALL CONFORM TO THE REQUIREMENTS OF ASTM DESIGNATION A 500, GRADE B, STRUCTURAL STEEL TUBING.

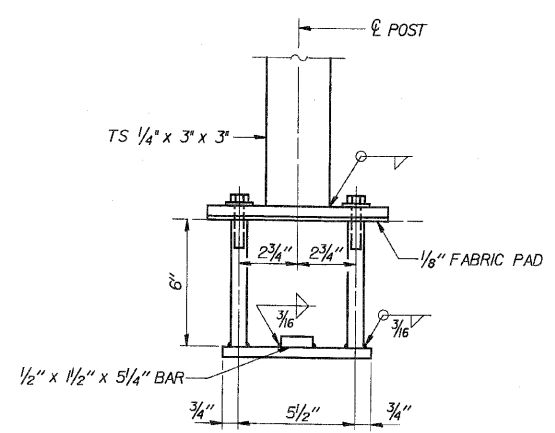
ALL OTHER STEEL SHAPES AND PLATES SHALL CONFORM TO THE REQUIREMENTS OF AASHTO M270 GRADE 250.

ALL POST, RAILING, ANCHOR DEVICES AND PLATES SHALL BE GALVANIZED AFTER SHOP FABRICATION IN ACCORDANCE WITH AASHTO M-111 AND ASTM A-385. ALL BOLTS, NUTS AND WASHERS SHALL BE GALVANIZED IN ACCORDANCE WITH AASHTO M-232, EXCEPT STAINLESS STEEL BOLTS AS NOTED.

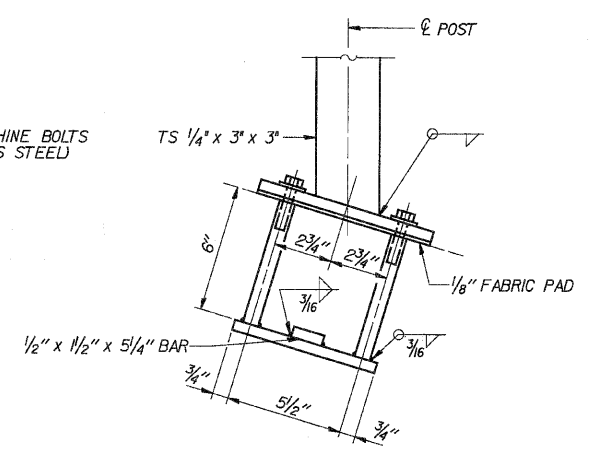
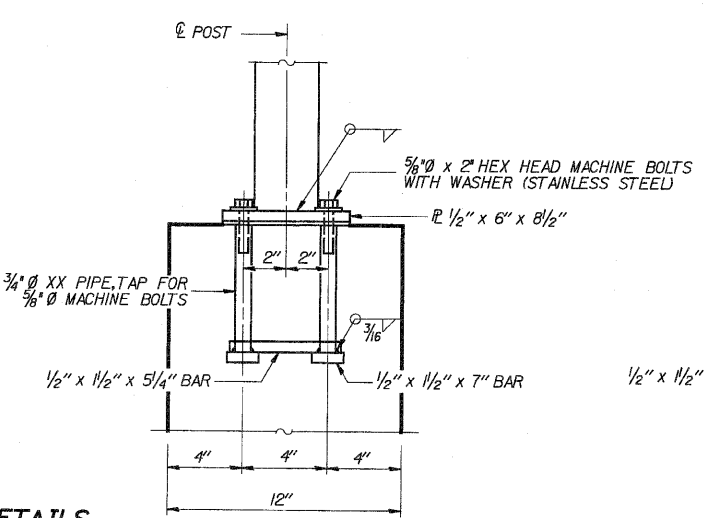
VENT HOLES FOR GALVANIZING SHALL BE PLACED IN THE POSTS AND RAILS AT LOCATIONS THAT WILL NOT ALLOW THE ACCUMULATION OF MOISTURE IN THE MEMBERS.

BILL OF MATERIAL

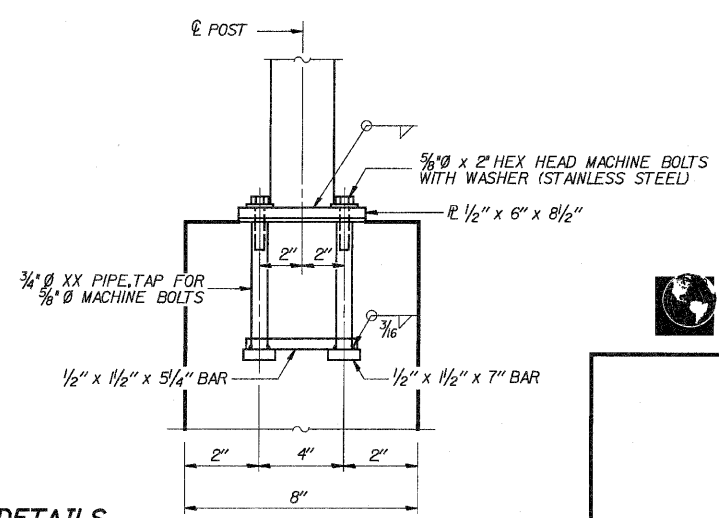
ITEM	UNIT	QUANTITY
PARAPET RAILING	FOOT	26



**ANCHOR DETAILS
OVER PARAPET**



**ANCHOR DETAILS
PARAPET RAILING OVER WINGWALLS**



DESIGNED	ASP
CHECKED	CDS
DRAWN	BEM
CHECKED	ASP

REVISIONS	
NAME	DATE

DLZ DLZ Illinois, Inc. 85 W. Algonquin Rd. Ste. 220
Arlington Heights IL 60005

**CULVERT 'B'
RAILING DETAILS**
U.S. ROUTE 30 (LINCOLN HIGHWAY)
F.A.P. 353 (U.S. 30)
SECTION (12 & 13) WRS-3
STATION 158+00.00
WILL COUNTY
STRUCTURE NUMBER 099-C011