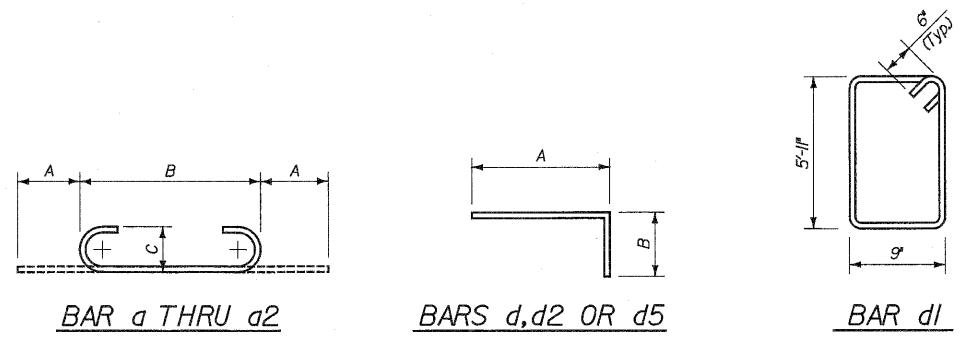
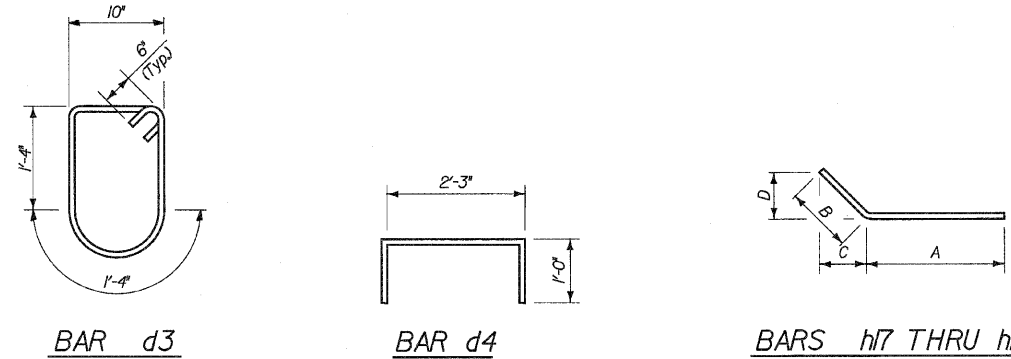


BILL OF MATERIAL

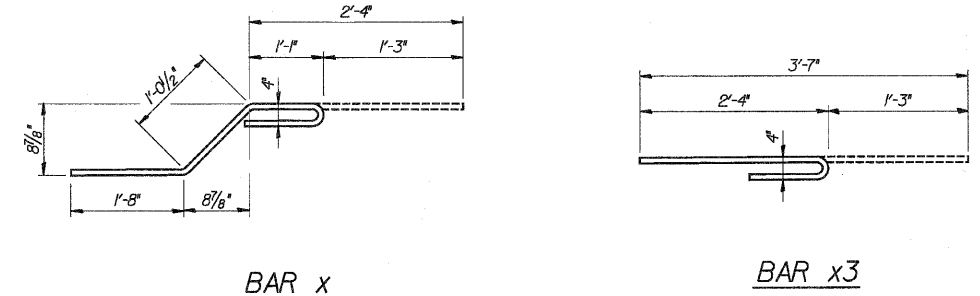
Bar	No.	Size	Length	Shape
a	23	4	10'-9"	
a1	13	8	7'-9"	
a2	13	8	9'-0"	
a3	5	4	9'-9"	
a4	6	4	7'-2"	
a5	4	6	9'-9"	
d	9	4	4'-5"	
d1	10	4	14'-4"	
d2	10	6	5'-6"	
d3	3	4	5'-10"	
d4	7	4	4'-3"	
d5	11	4	2'-8"	
d6	11	4	5'-10"	
h	14	5	7'-3"	
h1	20	4	7'-3"	
h2	8	5	7'-3"	
h3	3	6	9'-9"	
h4	8	9	4'-2"	
h5	20	4	4'-2"	
h6	16	4	9'-9"	
h7	6	5	7'-3"	
h8	2	4	5'-9"	
h9	8	5	2'-5"	
h10	8	5	3'-7"	
h11	13	5	9'-9"	
h12	4	5	2'-6"	
h13	6	5	3'-10"	
h14	7	7	9'-9"	
h15	2	5	3'-9"	
h16	4	5	2'-9"	
h17	16	5	12'-10"	
h18	10	5	8'-0"	
v	44	4	2'-9"	
v1	29	4	4'-11"	
v2	4	4	3'-5"	
v3	2	5	6'-3"	
v4	4	5	8'-2"	
v5	2	5	8'-7"	
x	47	4	5'-0"	
x1	12	4	10'-11"	
x2	12	4	3'-10"	
x3	11	4	3'-7"	
CONCRETE BOX CULVERTS		CU. YD.	17.7	
REINFORCEMENT BARS		POUND	3,013	



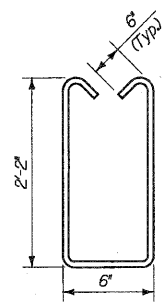
BAR a THRU a2 BARS d, d2 OR d5 BAR d1



BAR d3 BAR d4 BARS h7 THRU h18



BAR x BAR x3



BAR d6

BAR BENDING DIAGRAMS

Bar	A		B		C		D	
	Ft.	In.	Ft.	In.	Ft.	In.	Ft.	In.
a	0	6	9	9	0	4		
a1	0	11	5	11	0	8		
a2	0	11	7	2	0	8		
d	2	8	1	9				
d2	4	0	1	6				
d5	1	0	1	8				
h7	5	0	3	0	2	1/2	2	1/2
h8	9	10	3	0	2	1/2	2	1/2

DLZ 85 W. Algonquin Rd. Ste. 220
Arlington Heights IL 60005
DLZ Illinois, Inc.

CULVERT 'B'
BARBILL & DETAILS
U.S. ROUTE 30 (LINCOLN HIGHWAY)
F.A.P. 353 (U.S. 30)
SECTION (12 & 13) WRS-3
STATION 158+00.00
WILL COUNTY
STRUCTURE NUMBER 099-C011

DESIGNED	ASP
CHECKED	CDS
DRAWN	BEM
CHECKED	ASP

REVISIONS	
NAME	DATE