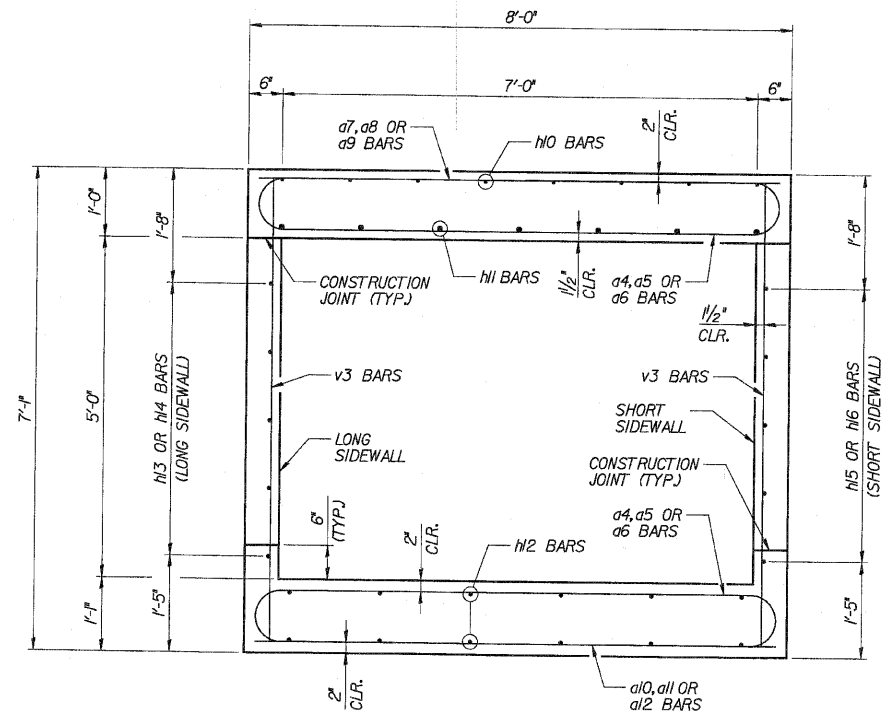
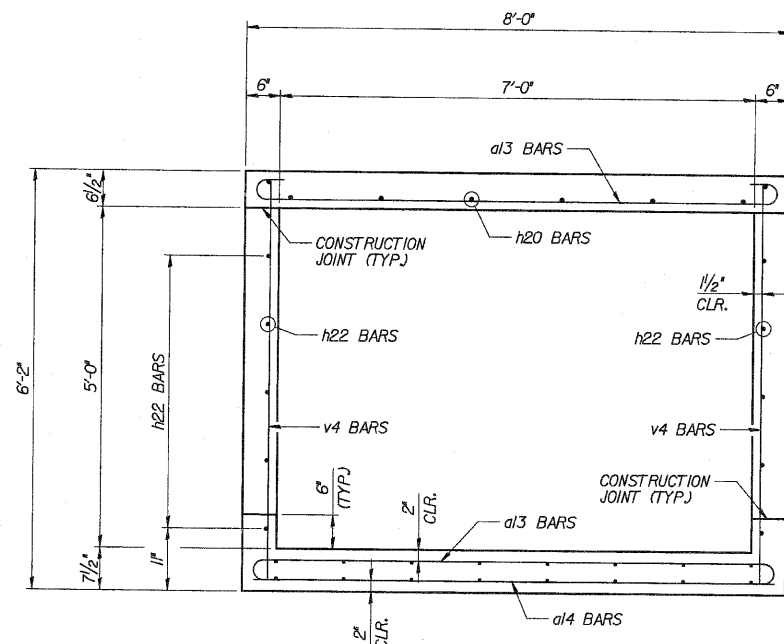


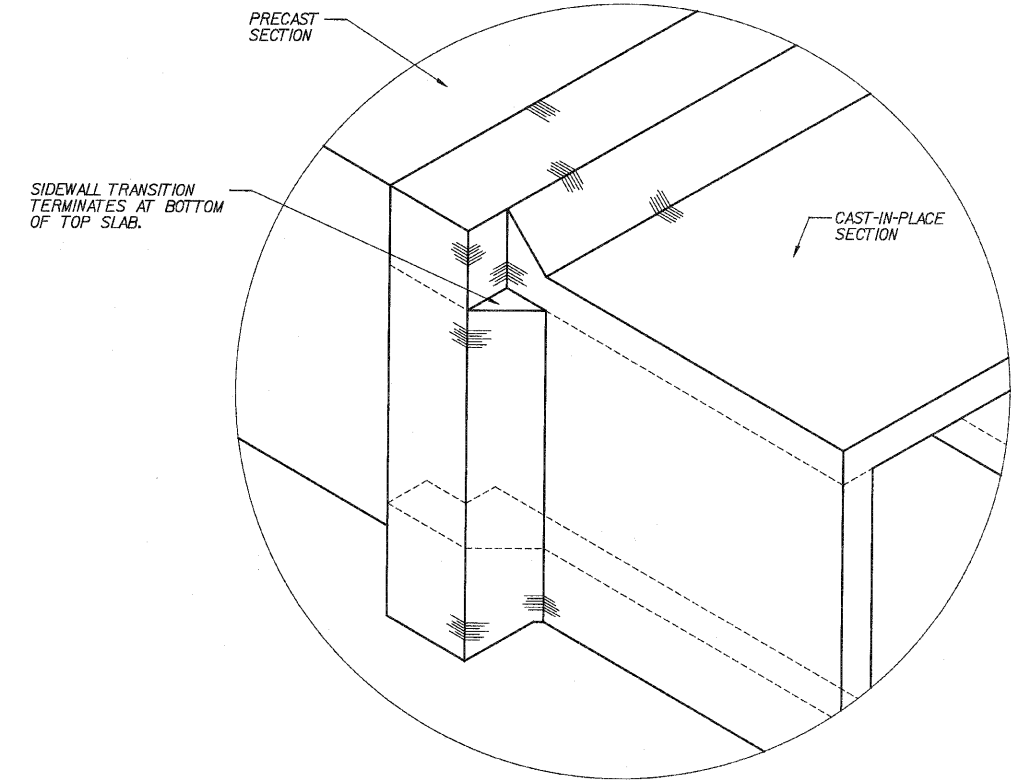
ROUTE NO.	SECTION	COUNTY	TOTAL SHEETS	SHEET NO.
FAP 353	*	WILL	1235	634
FED. ROAD DIST.		ILLINOIS	FED. AID PROJECT	



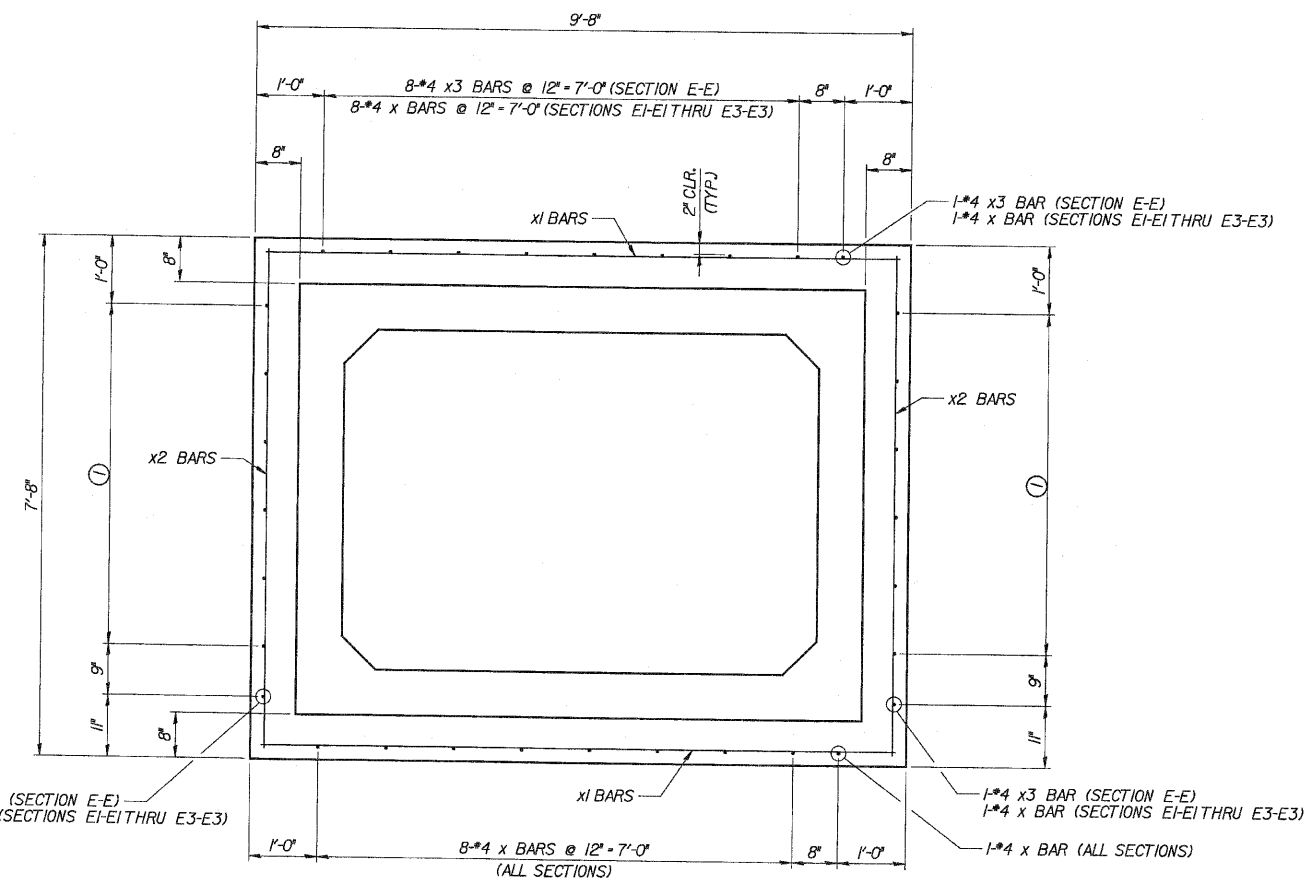
**SECTION K-K**



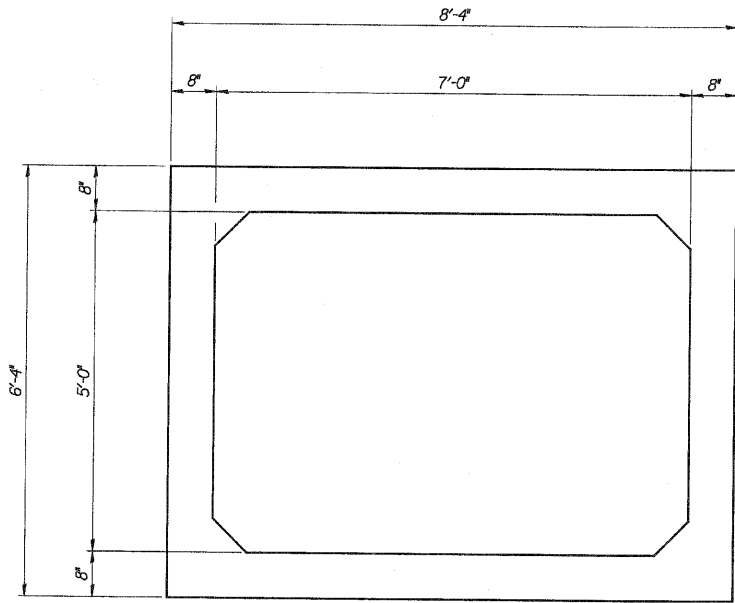
**SECTION L-L**



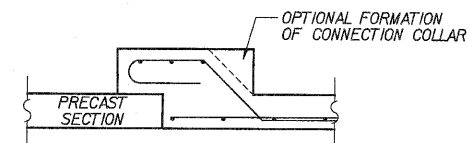
**ISOMETRIC VIEW OF CONNECTION COLLAR**



**SECTION E-E THRU E3-E3**



**PRECAST TYPICAL SECTION**



**OPTIONAL PRECAST TO CAST-IN-PLACE CONNECTION COLLAR**

NOTE: ADDITIONAL CONCRETE USED FOR THE OPTIONAL COLLAR FORMATION WILL BE PROVIDED AT THE CONTRACTOR'S EXPENSE.

1-#4 x3 BAR (SECTION E-E)  
1-#4 x BAR (SECTIONS E1-E1 THRU E3-E3)

x1 BARS

x2 BARS

1-#4 x3 BAR (SECTION E-E)  
1-#4 x BAR (SECTIONS E1-E1 THRU E3-E3)

1-#4 x BAR (ALL SECTIONS)

8-#4 x BARS @ 12" - 7'-0" (ALL SECTIONS)

① 6-#4 x3 BARS @ 12" - 5'-0" (SECTION E-E)  
6-#4 x BARS @ 12" - 5'-0" (SECTIONS E1-E1 THRU E3-E3)

DESIGNED	ASP
CHECKED	CDS
DRAWN	BEM
CHECKED	ASP

REVISIONS	
NAME	DATE

**DLZ** 85 W. Algonquin Rd. Ste. 220  
Arlington Heights IL 60005

**CULVERT 'C'**  
**TYPICAL SECTIONS**  
U.S. ROUTE 30 (LINCOLN HIGHWAY)  
F.A.P. 353 (U.S. 30)  
SECTION (12 & 13) WRS-3  
STATION 170+61.58, 76.55' LT.  
WILL COUNTY  
STRUCTURE NUMBER 099-C012