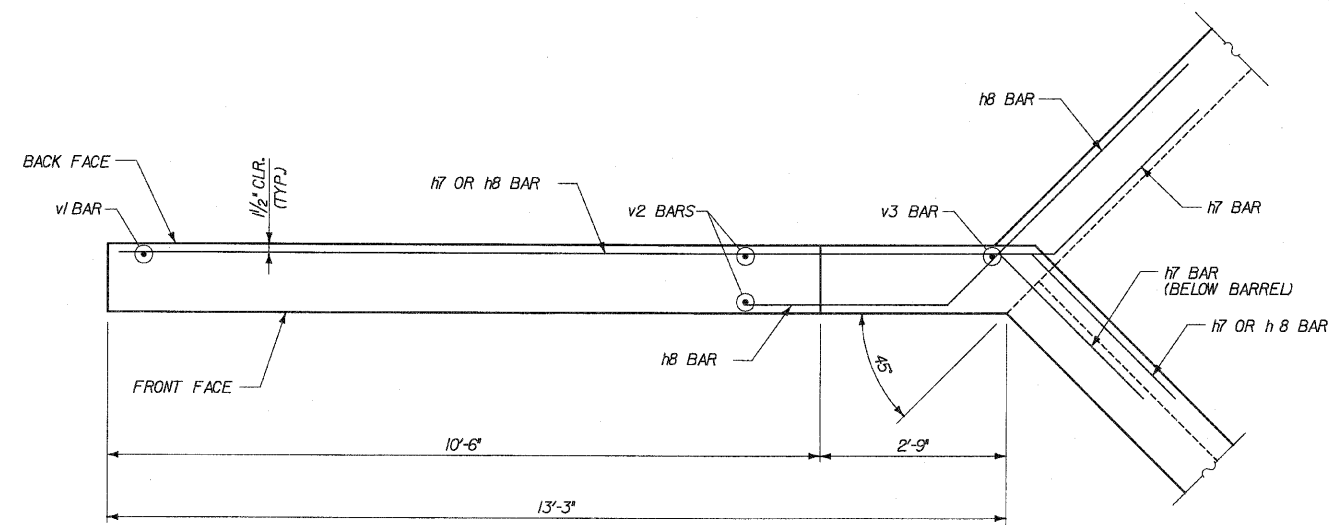
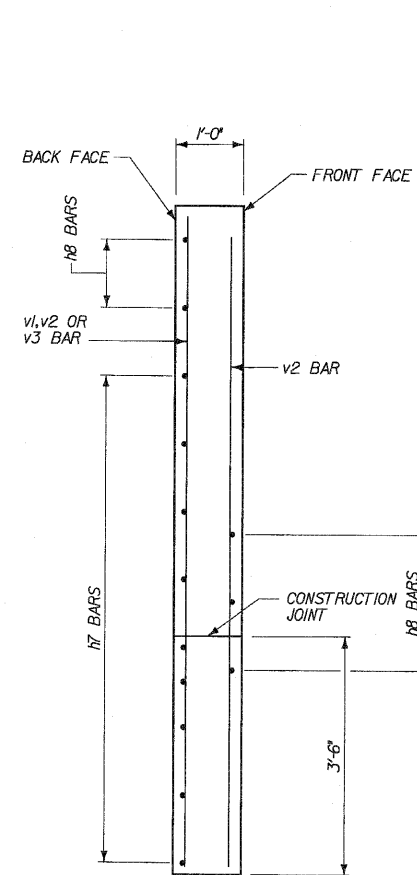


ROUTE NO.	SECTION	COUNTY	TOTAL SHEETS	SHEET NO.
PAP 385	*	WILL.	1235	656
FED. ROAD DIST.		ILLINOIS	FED. AID PROJECT	

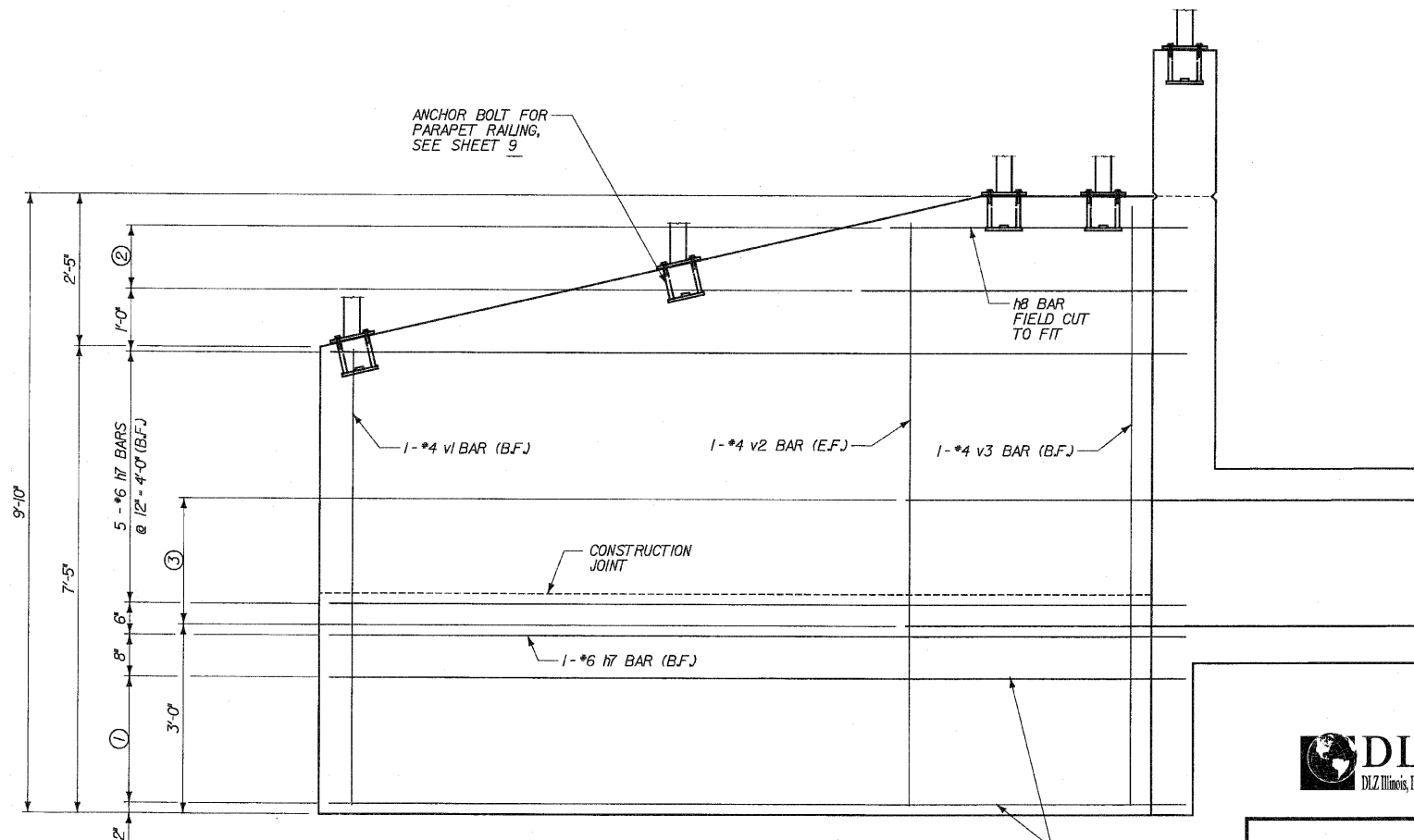
* SECT. 12 & 13 WRS-3
* CONTRACT NO. 02479



WING A & B PLAN



WING A & B SECTION



WING A & B ELEVATION

LEGEND

B.F. = BACK FACE
F.F. = FRONT FACE
E.F. = EACH FACE

- ① 3 - *6 17 BARS @ 12" = 2'-0" (B.F.)
(FIELD CUT TO FIT)
- ② 2 - *6 h8 BARS @ 12" = 1'-0" (B.F.)
- ③ 3 - *6 h8 BARS @ 12" = 2'-0" (F.F.)

DESIGNED	ASP
CHECKED	CDS
DRAWN	EvH
CHECKED	ASP

REVISIONS	
NAME	DATE

DLZ 85 W. Algonquin Rd. Ste. 220
Arlington Heights IL 60005
DLZ Illinois, Inc.

CULVERT 'E'
WINGS A & B
U.S. ROUTE 30 (LINCOLN HIGHWAY)
F.A.P. 353 (U.S. 30)
SECTION (12 & 13) WRS-3
STATION 271+00.00
WILL COUNTY
STRUCTURE NUMBER 099-C015