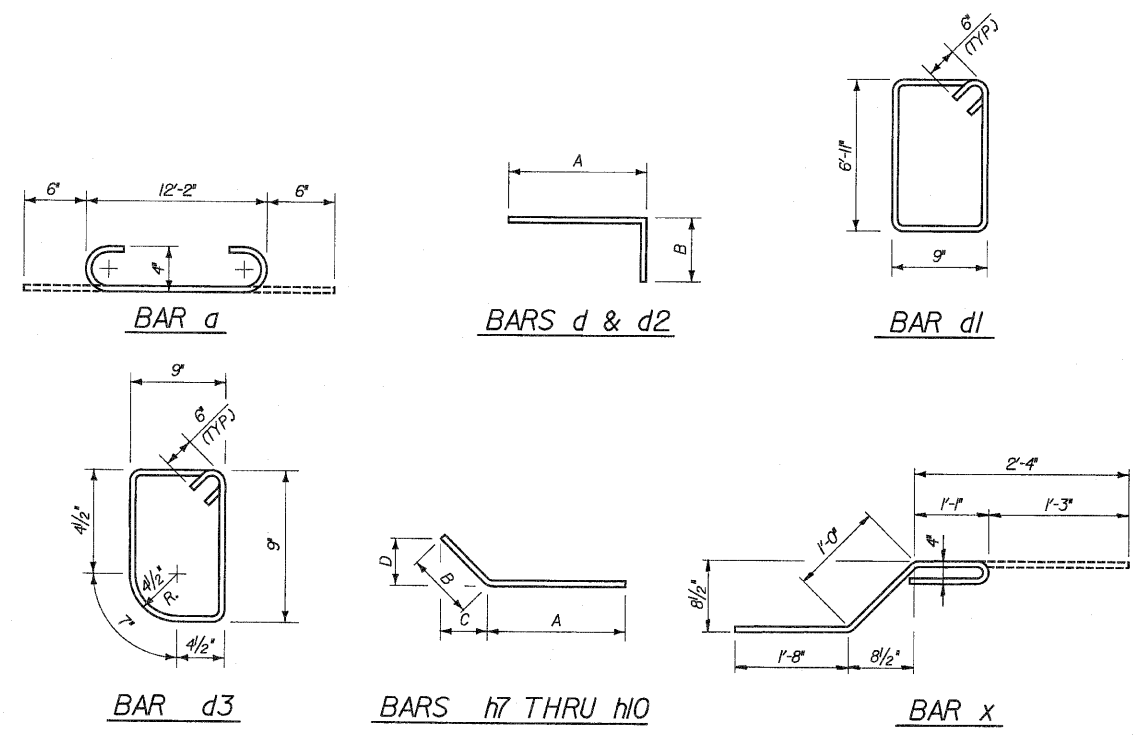


* S371.02 & 13 WRS-3
* STRUCT. N3.0215

BILL OF MATERIAL

Bar	No.	Size	Length	Shape	
a	42	4	13'-2"		
d1	14	4	12'-2"		
d	24	4	4'-5"		
d1	15	4	16'-4"		
d2	15	5	5'-6"		
d3	13	4	3'-10"		
h	36	5	7'-9"		
h1	48	4	7'-9"		
h2	24	5	7'-9"		
h3	6	6	11'-3"		
h4	12	9	3'-6"		
h5	36	4	3'-6"		
h6	12	6	3'-7"		
h7	18	6	16'-5"		
h8	10	6	8'-0"		
h9	14	4	6'-4"		
h10	6	4	7'-3"		
v	132	4	2'-9"		
v1	2	4			
v2	4	4	9'-3"		
v3	2	4	9'-6"		
v4	4	4	4'-11"		
v5	2	4	5'-8"		
x	68	4	5'-3"		
x1	12	4	12'-6"		
x2	12	4	3'-8"		
CONCRETE BOX CULVERTS				CU. YD.	27.1
REINFORCEMENT BARS				POUND	3,294



DESIGNED	CDS
CHECKED	ASP
DRAWN	EvH
CHECKED	ASP

REVISIONS	
NAME	DATE
WSP	4/12/06



85 W. Algonquin Rd. Ste. 220
Arlington Heights IL 60005

CULVERT 'E'
BARBILL & DETAILS
 U.S. ROUTE 30 (LINCOLN HIGHWAY)
 F.A.P. 353 (U.S. 30)
 SECTION (12 & 13) WRS-3
 STATION 271+00.00
 WILL COUNTY
 STRUCTURE NUMBER 099-CO15