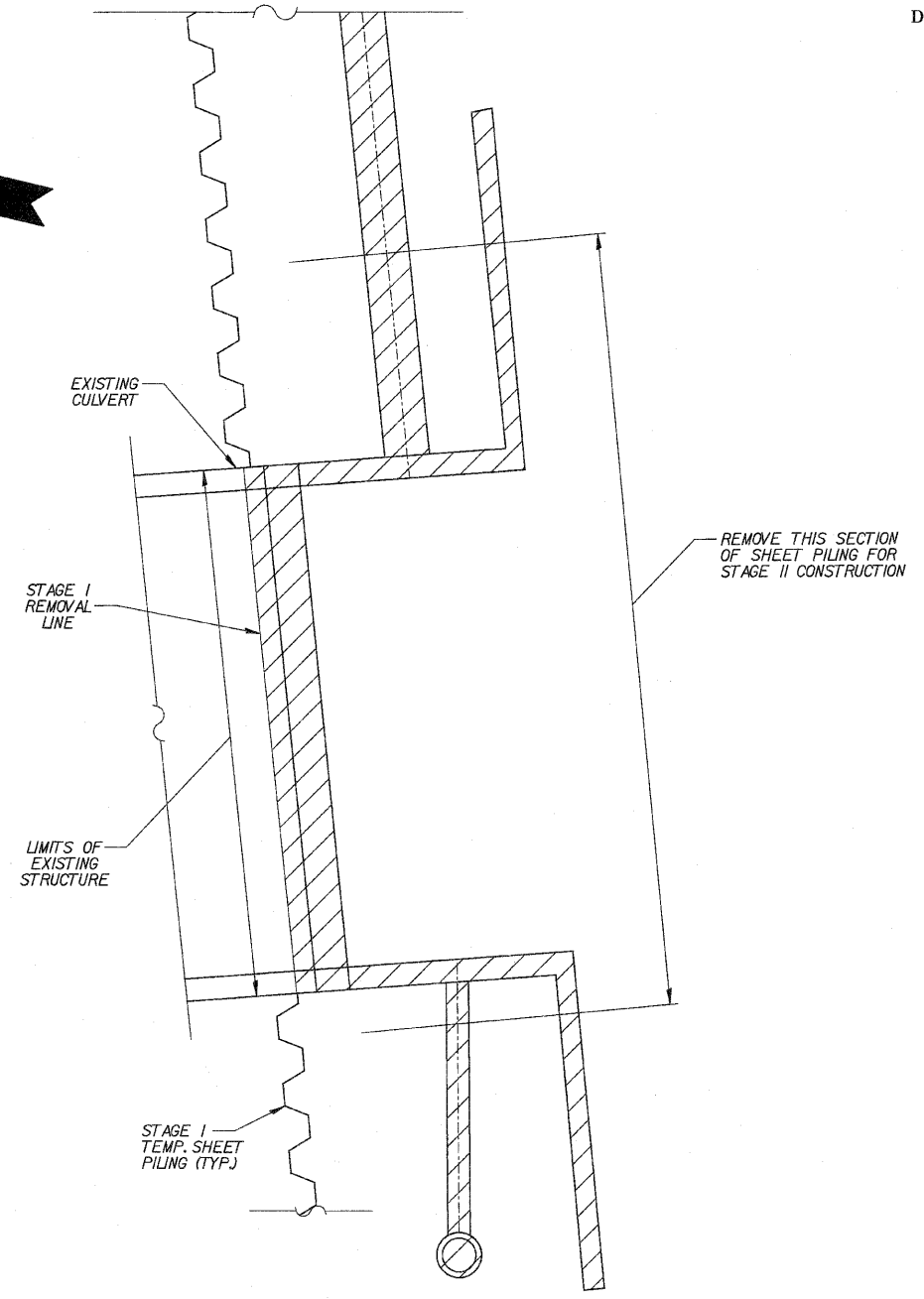
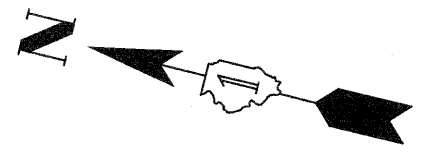
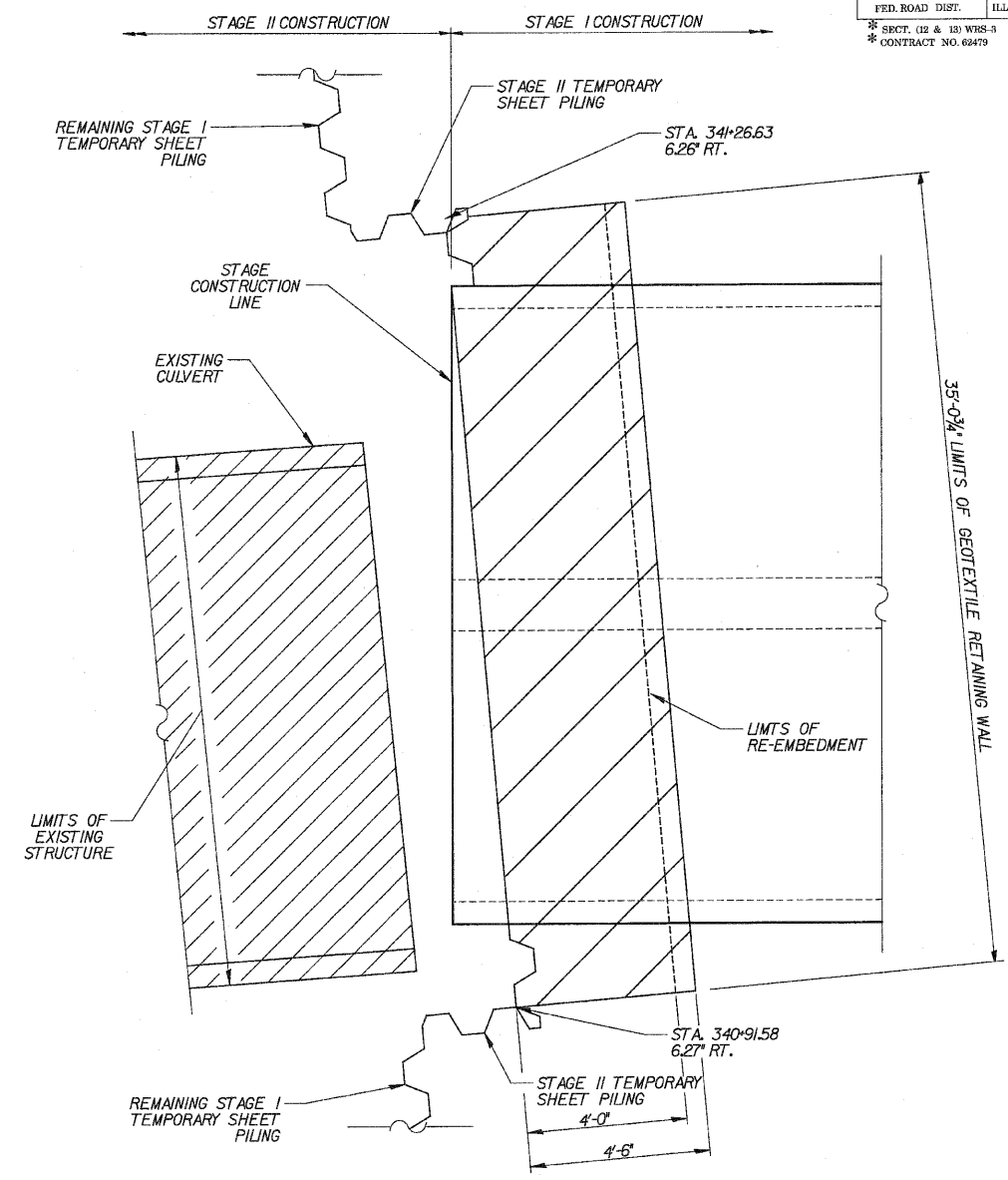


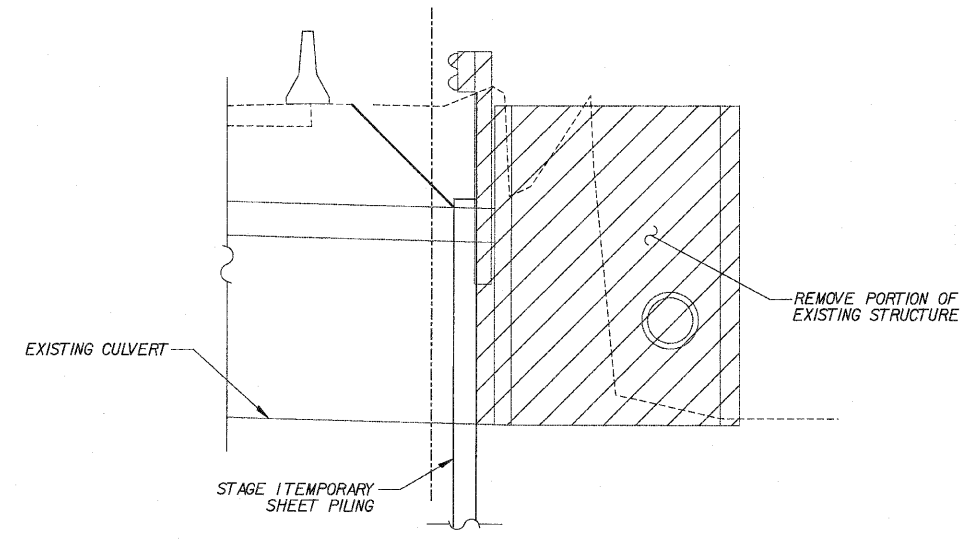
ROUTE NO.	SECTION	COUNTY	TOTAL SHEETS	SHEET NO.
FAP 353	*	WILL	1235	664
FED. ROAD DIST.		ILLINOIS	FED. AID PROJECT	
* SECT. (12 & 13) WRS-3				
* CONTRACT NO. 68479				



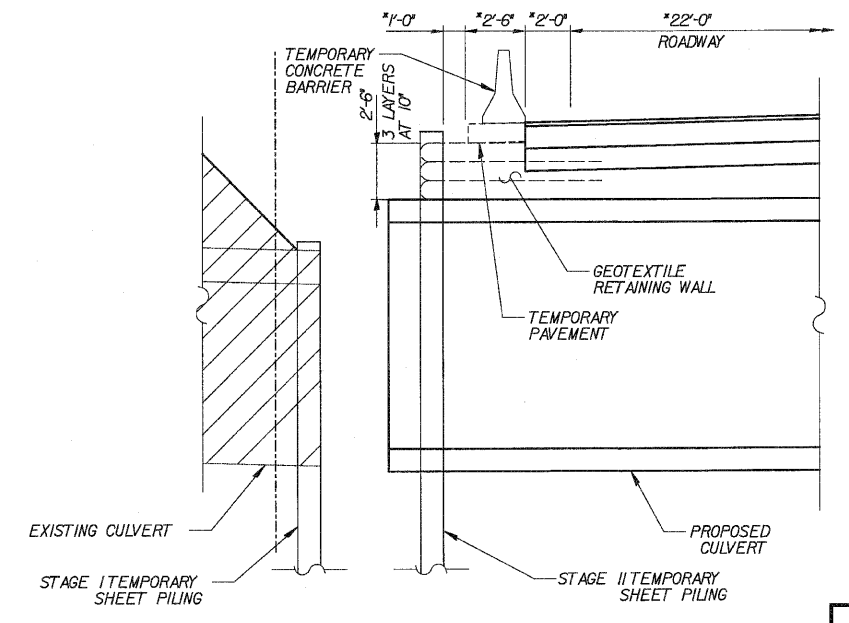
STAGE I PLAN



STAGE 2 PLAN



STAGE I SECTION



STAGE 2 SECTION

NOTE:
THE GEOTEXTILE SOIL REINFORCEMENT SHALL HAVE A MINIMUM ALLOWABLE TENSILE STRENGTH (T_m) OF 11 lb./in.² AS DETERMINED BY THE PROCEDURE DESCRIBED IN THE SPECIAL PROVISION. THE COMPUTATIONS SUPPORTING THE DETERMINATION OF T_m SHALL BE SUBMITTED TO THE ENGINEER FOR APPROVAL.

DESIGNED	ASP
CHECKED	ASP
DRAWN	BGC
CHECKED	ASP

REVISIONS	
NAME	DATE

DLZ 85 W. Algonquin Rd. Ste. 220
Arlington Heights IL 60005
DLZ Illinois, Inc.

CULVERT 'G'
STAGING DETAILS
U.S. ROUTE 30 (LINCOLN HIGHWAY)
F.A.P. 353 (U.S. 30)
SECTION (12 & 13) WRS-3
STATION 34+10.00
WILL COUNTY
STRUCTURE NUMBER 099-4662