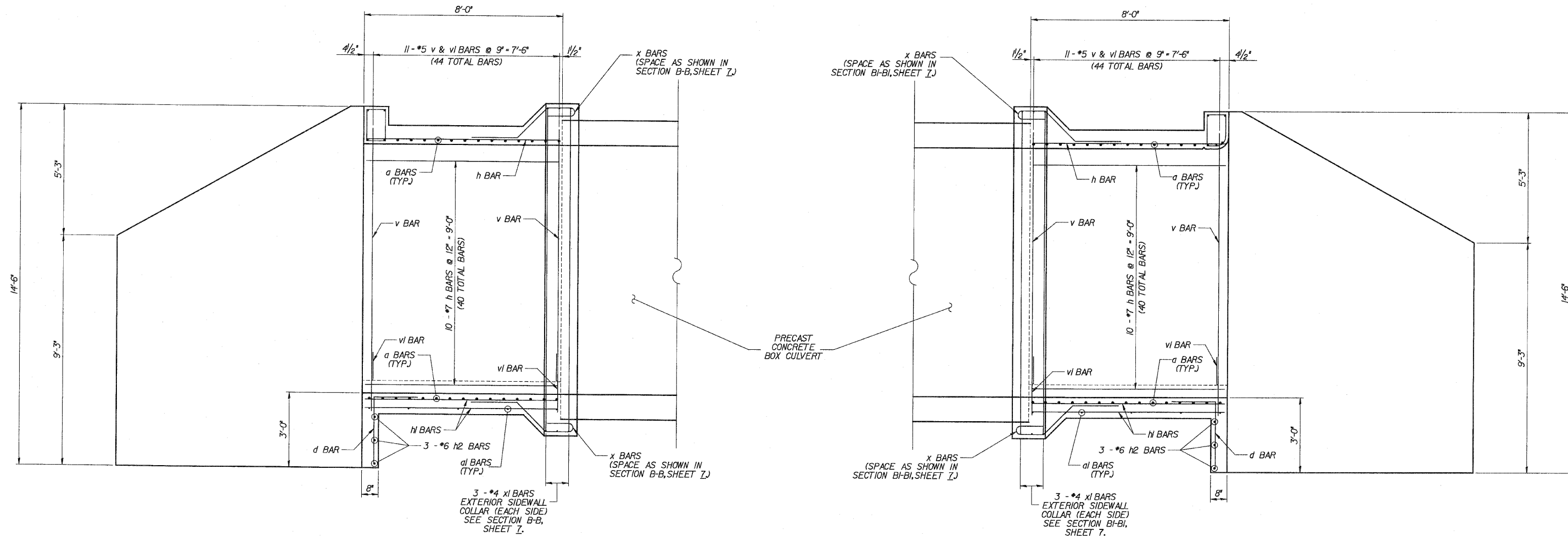
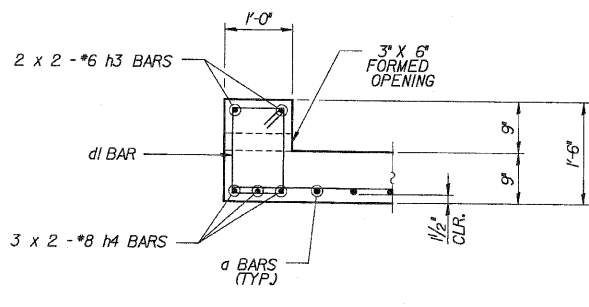


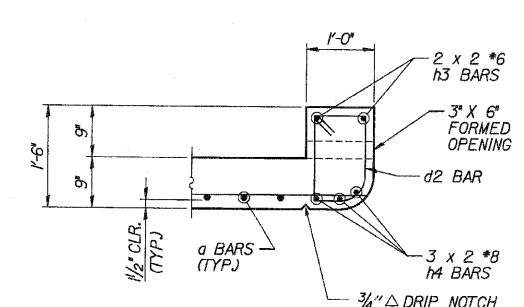
\* SECT. 12 & 13 WRS-3  
\* CONTRACT NO. 62479



**ELEVATION**



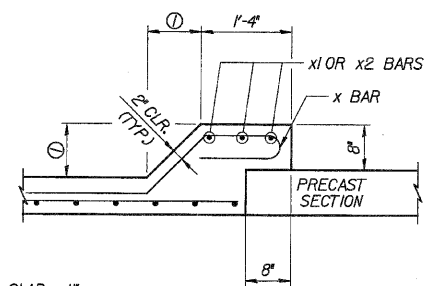
**DOWNSTREAM END**



**UPSTREAM END**

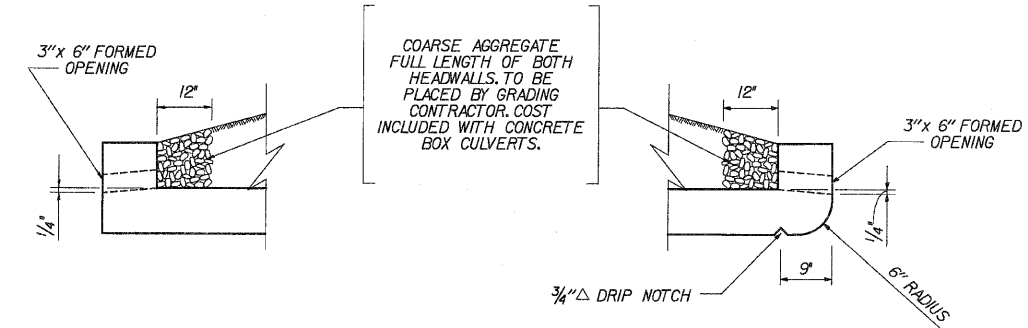
**HEADWALL DETAILS**

NOTE:  
BARS INDICATED THUS 3 x 2 - #8 ETC. INDICATES  
3 LINES OF BARS WITH 2 LENGTHS PER LINE.



① TOP SLAB - 11"  
BOTTOM SLAB - 10"  
SIDEWALLS - 7"

**PRECAST TO CAST-IN-PLACE  
CONNECTION COLLAR**



**DRAIN DETAIL**

**UPSTREAM ONLY**

DESIGNED	ASP
CHECKED	CDS
DRAWN	LNB
CHECKED	ASP

REVISIONS	
NAME	DATE

**DLZ** 85 W. Algonquin Rd. Ste. 220  
Arlington Heights IL 60005

**CULVERT 'G'**  
**END SECTION ELEVATION**  
U.S. ROUTE 30 (LINCOLN HIGHWAY)  
F.A.P. 353 (U.S. 30)  
SECTION (12 & 13) WRS-3  
STATION 34+10.00  
WILL COUNTY  
STRUCTURE NUMBER 099-4662