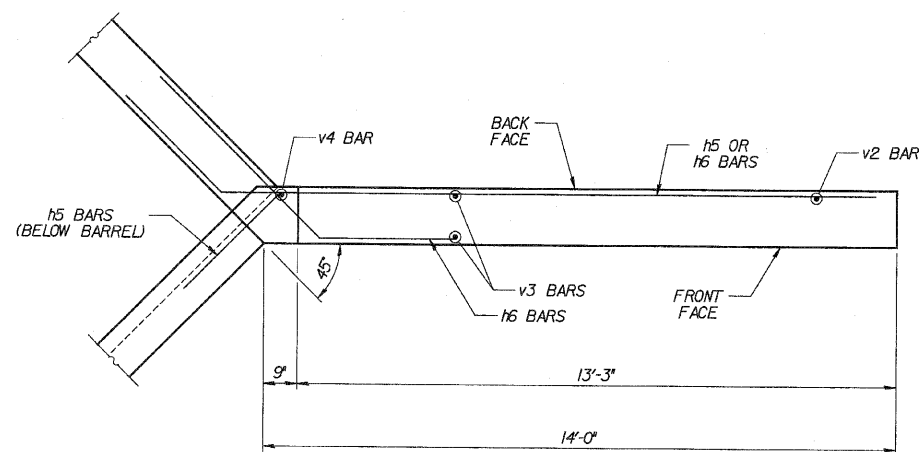
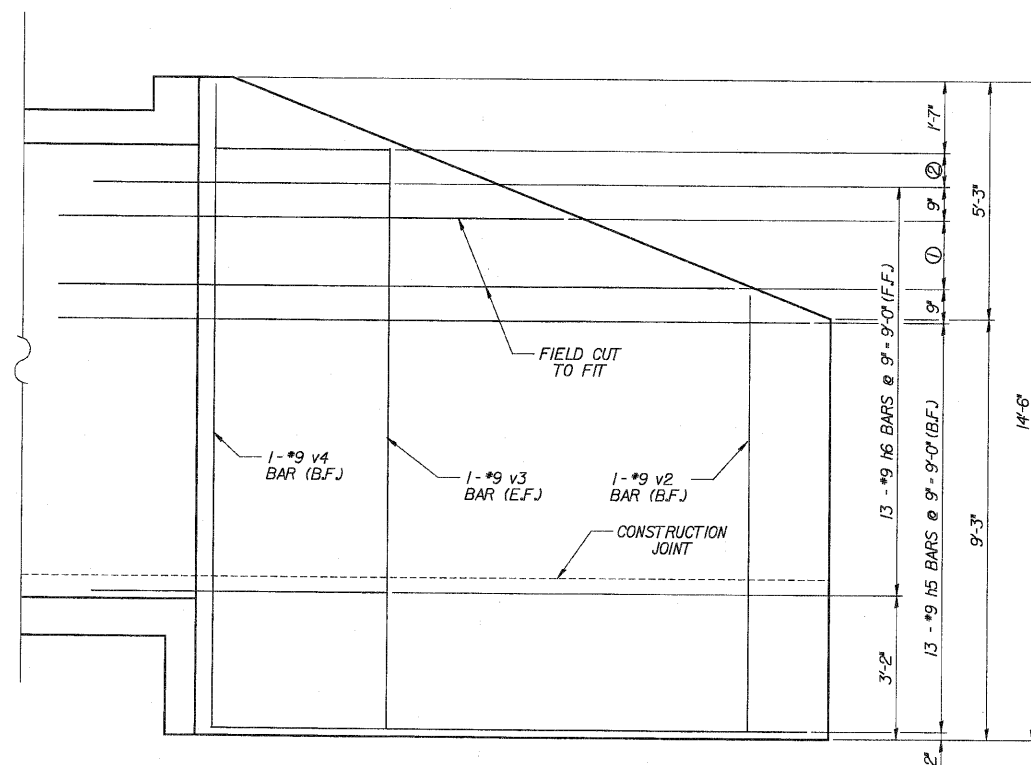


ROUTE NO.	SECTION	COUNTY	TOTAL SHEETS	SHEET NO.
FAP 353	*	WILL	1235	668
FED. ROAD DIST.		ILLINOIS	FED. AID PROJECT	

\* SECT. 12 & 13 WRS-3  
\* CONTRACT NO. 62479



**WING PLAN**

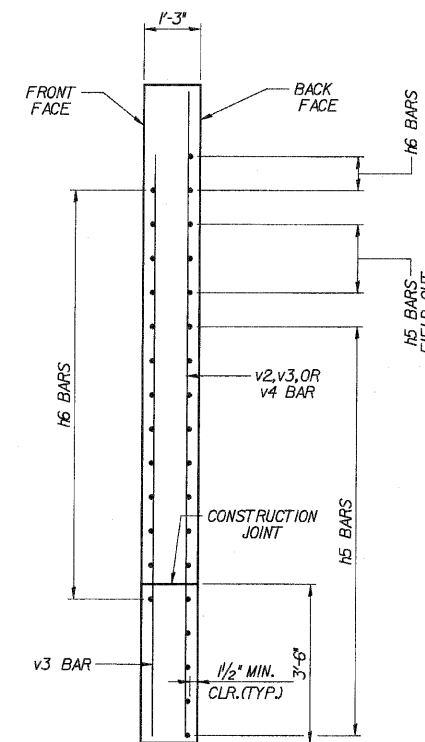


**WING ELEVATION**  
(4 REQUIRED)

**LEGEND**

B.F. - BACK FACE  
F.F. - FRONT FACE  
E.F. - EACH FACE

- ① 3 - #9 h5 BARS @ 9'-1'-6" (B.F.) (FIELD CUT TO FIT)
- ② 2 - #9 h6 BARS @ 9'-9" (B.F.)



**WING TYPICAL SECTION**

DESIGNED	ASP
CHECKED	CDS
DRAWN	LNB
CHECKED	ASP

REVISIONS	
NAME	DATE

**DLZ** 85 W. Algonquin Rd. Ste. 220  
Arlington Heights IL 60005  
DLZ Illinois, Inc.

**CULVERT 'G'**  
**WING DETAILS**  
U.S. ROUTE 30 (LINCOLN HIGHWAY)  
F.A.P. 353 (U.S. 30)  
SECTION (12 & 13) WRS-3  
STATION 34+10.00  
WILL COUNTY  
STRUCTURE NUMBER 099-4662