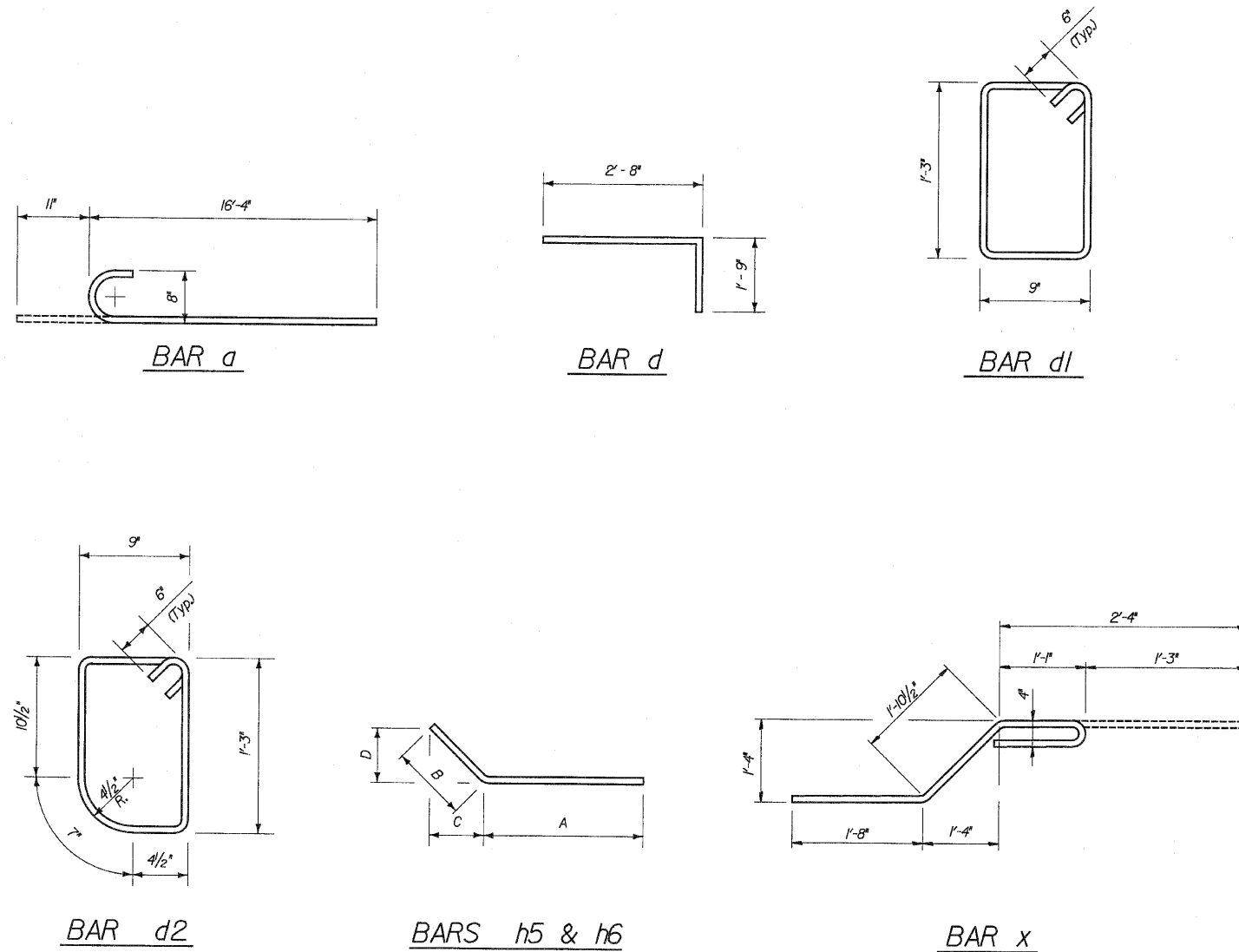


ROUTE NO.	SECTION	COUNTY	TOTAL SHEETS	SHEET NO.
FAP 353	*	WILL	1235	669
FED. ROAD DIST.		ILLINOIS	FED. AID PROJECT	

* SECT. (12 & 13) WRS-3
* CONTRACT NO. 62479

BILL OF MATERIAL

Bar	No.	Size	Length	Shape
a	112	8	17'-3"	
al	20	4	16'-4"	
d	54	4	4'-5"	
d1	30	4	5'-0"	
d2	30	4	4'-10"	
h	128	7	7'-9"	
h1	88	5	7'-9"	
h2	6	6	28'-4"	
h3	8	6	13'-8"	
h4	12	8	13'-8"	
h5	64	9	16'-2"	
h6	60	9	8'-0"	
v	88	5	10'-1"	
v1	88	5	2'-4"	
v2	4	9	9'-7"	
v3	8	9	12'-9"	
v4	4	9	14'-2"	
x	164	4	5'-11"	
x1	12	4	13'-0"	
x2	12	4	29'-3"	
CONCRETE BOX CULVERTS			CU. YD.	96.2
REINFORCEMENT BARS			POUND	17,276



BAR BENDING DIAGRAMS

Bar	A		B		C		D	
	Ft.	In.	Ft.	In.	Ft.	In.	Ft.	In.
h5	13	2	3	0	2	1/2	2	1/2
h6	5	0	3	0	2	1/2	2	1/2

DESIGNED	ASP
CHECKED	CDS
DRAWN	LNB
CHECKED	ASP

REVISIONS	
NAME	DATE

DLZ 85 W. Algonquin Rd. Ste. 220
Arlington Heights IL 60005
DLZ Illinois, Inc.

CULVERT 'G'
BARBILL & DETAILS
U.S. ROUTE 30 (LINCOLN HIGHWAY)
F.A.P. 353 (U.S. 30)
SECTION (12 & 13) WRS-3
STATION 34+10.00
WILL COUNTY
STRUCTURE NUMBER 099-4662