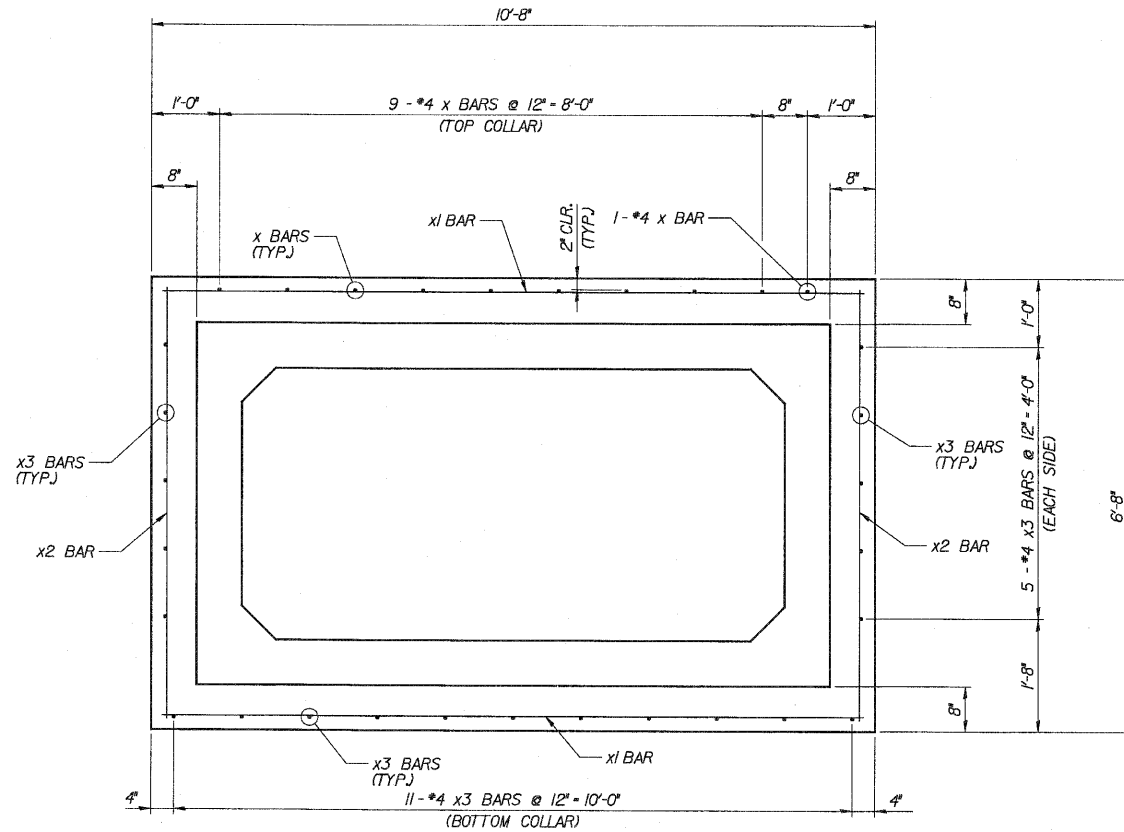
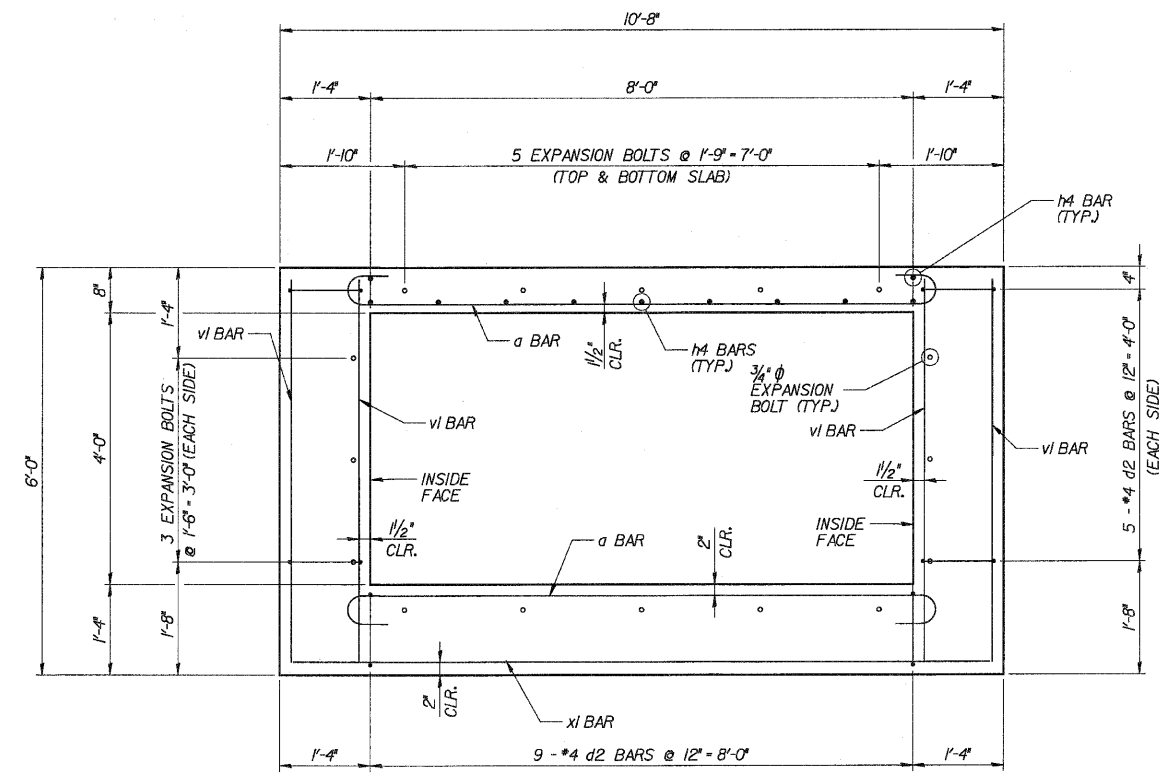


* SECT. (12 & 13) WRS-3
* CONTRACT NO. 62479



PRECAST TO CAST-IN-PLACE CONNECTION COLLAR

SECTION D-D



CAST-IN-PLACE SECTION

SECTION E-E

DESIGNED	ASP
CHECKED	CDS
DRAWN	LNB
CHECKED	ASP

REVISIONS	
NAME	DATE

DLZ 85 W. Algonquin Rd. Ste. 220
Arlington Heights IL 60005
DLZ Illinois, Inc.

CULVERT 'H'
TYPICAL SECTIONS
U.S. ROUTE 30 (LINCOLN HIGHWAY)
F.A.P. 353 (U.S. 30)
SECTION (12 & 13) WRS-3
STATION 401+72.78
WILL COUNTY
STRUCTURE NUMBER 099-C018